

Job Name: 25-1267B Grocery Owensboro KY  
 Job Location: Owensboro, KY  
 Contractor: Winwater Hartford KY Co.

Plant: Beaver Dam

Tech: J. Coppage

9/18/2025 12:09:00 PM

PC: A. Chambers



**Structure ID: CBI-A2**

**P1 MH060BA54**

**MH BASE**

- P3) 24" x 36" - CASTING HEIGHT - 6"
- P2) 60" - MH FLAT TOP w/24"x36" Hole - 13"
- P1) 60" - MH BASE - 54"
- 1) 60" - SGL 1"x14.5' Butyl (2x)
- 2) Hole - 48"
- 4) MH Step ML-10-TDS-NCR - 10"

- Structure Notes:
1. JBS 3080-V PROVIDED BY ICAST.
  2. PER ASTM C478 SPECIFICATIONS.
  3. CONCRETE = 4,000 PSI AT 28 DAYS.
  4. REINFORCING PER ASTM A615 (GRADE 60).
- TOP SLAB (As .62) #5 BARS AT 6" C.C.E.W..
  - RISER/WALLS (As .18)
  - FLOOR (As .37) #5 BARS AT 10" C.C.E.W.

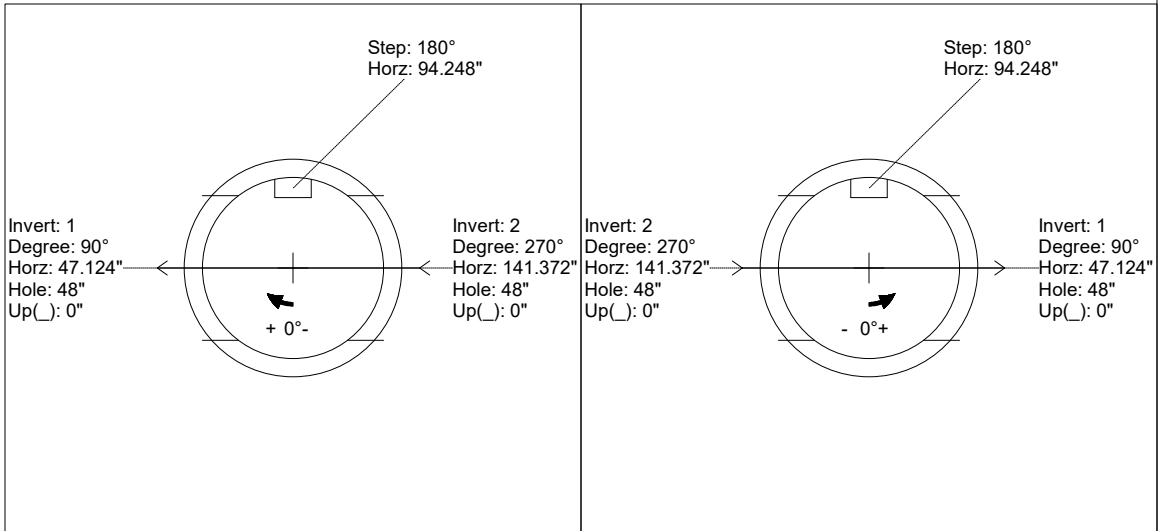
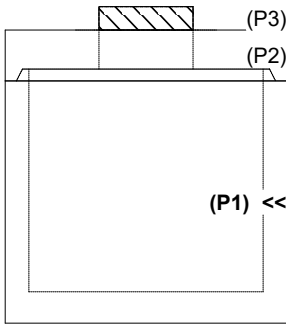
Structure Total: 10467 lb

Rim: 403.07' Rim to Invert: 6.01' Slack: 3.12" Sump: 4" Step Position: 180°

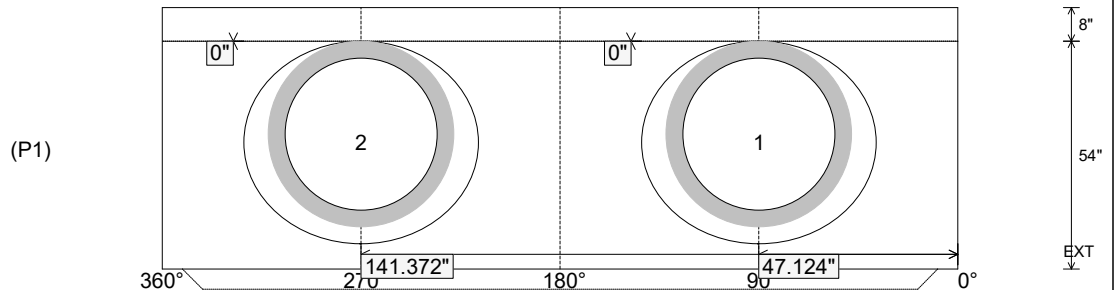
Position	Elev	Angle	Ext. (cw)	Pipe	Pipe OD	Connector	Hole	Horz Size	Up ( )	Offset
Invert 1	397.06'	90°	56.549"	36" RCP B WALL	44"	Hole 48	48"	55.638"	0"	0"
Invert 2	397.06'	270°	169.646"	36" RCP B WALL	44"	Hole 48	48"	55.638"	0"	0"
Invert 3										
Invert 4										
Invert 5										
Invert 6										
Invert 7										
Invert 8										

RIGHT-SIDE UP VIEW (int. dimensions)

UPSIDE-DOWN VIEW (int. dimensions)



INSIDE WALL DIMENSIONS



Coating (Int):  
Coating (Ext):

Seam Up: Tongue  
Seam Dn: n/a

Wall Thickness: 6"  
Floor Height: 8"

Height (Int): 54"  
Height (Ext): 62"

Weight (Net): 6317 lb  
Volume (Net): 1.61cu.yd