

Job Name: 25-1267B Grocery Owensboro KY
Job Location: Owensboro, KY
Contractor: Winwater Hartford KY Co.

PC: A. Chambers
 TECH: J. Coppage
 Plant: Beaver Dam



Structure ID: **CB-G4**

Spec: Storm
 Type: STM.MH
 Size: 48"

Rim: 402'
 Invert: 397.72'
 Rim to Invert: 4.28'

Sump: 1.6"
 Floor (Top): 397.587'
 Floor Height: 6"

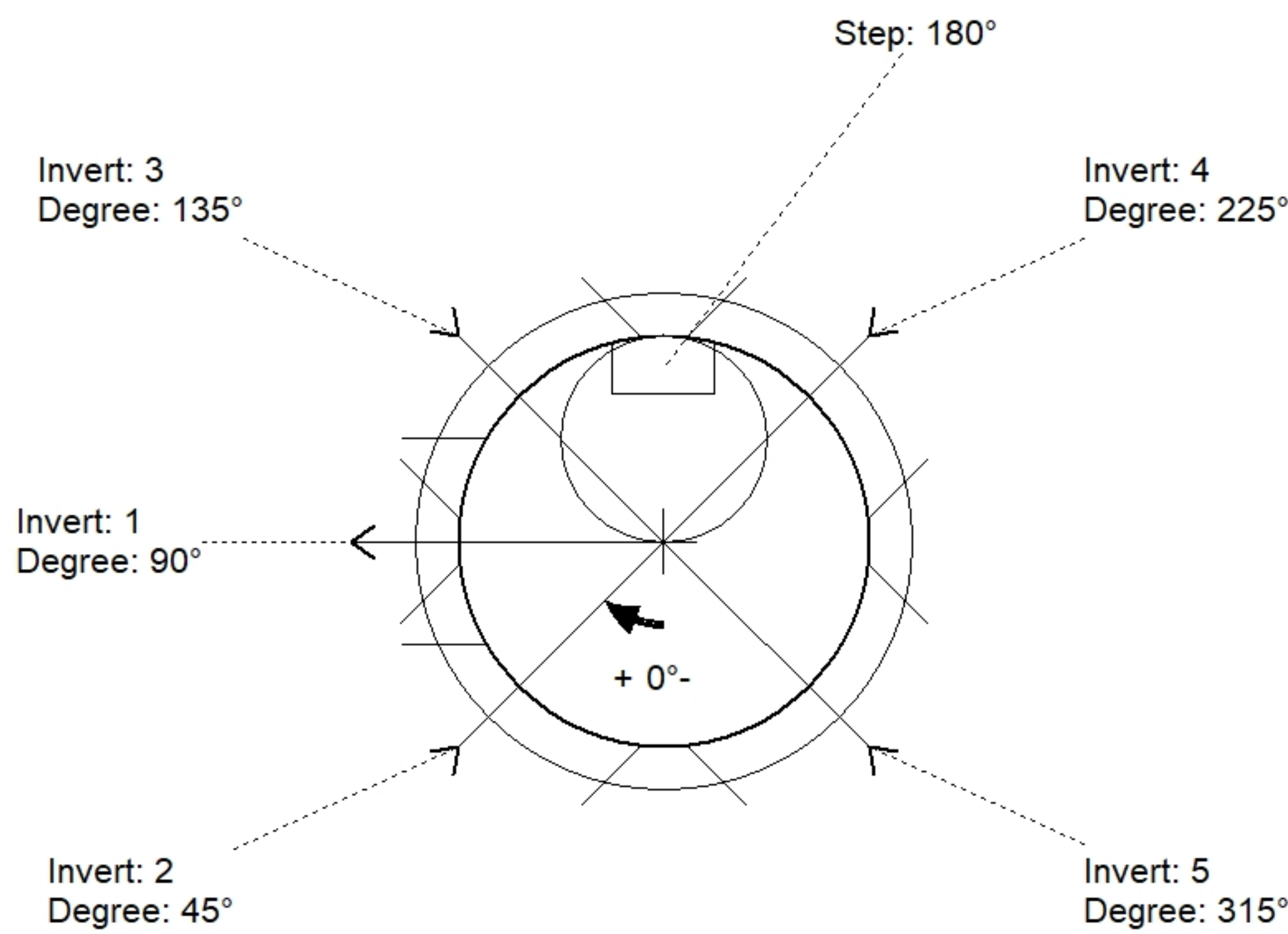
Floor (Bot): 397.087'
 Overall Height: 4.917'
 Slack: -0.04"

Structure Notes:

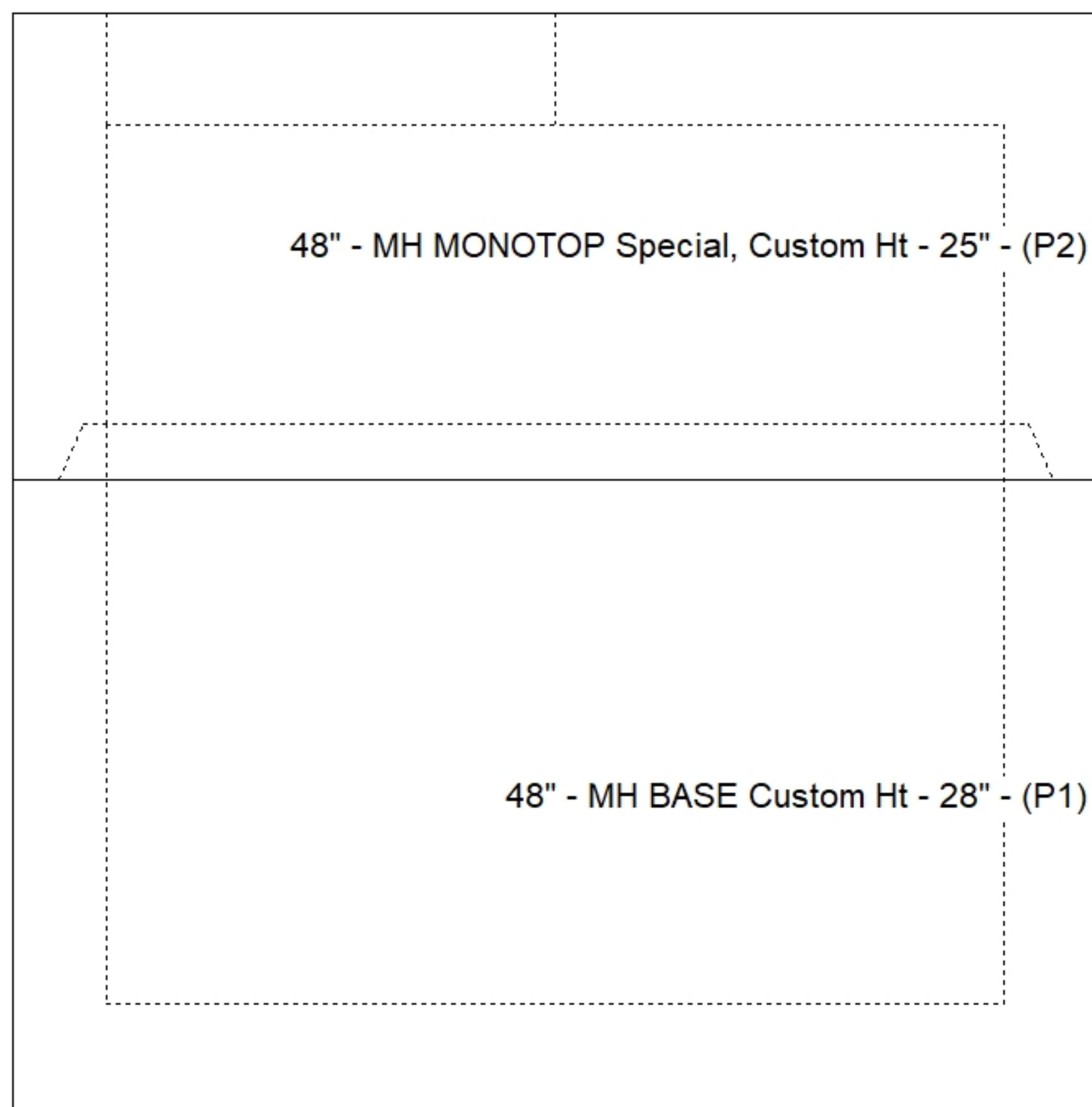
1. JR HOE MCS-288 STORM PROVIDED BY ICAST.
2. PER ASTM C478 SPECIFICATIONS.
3. CONCRETE = 4,000 PSI AT 28 DAYS.
4. REINFORCING PER ASTM A615 (GRADE 60).
 - TOP SLAB (As .62) #5 BARS AT 6" C.C.E.W..
 - RISER/WALLS (As .12)
 - FLOOR (As .31) #5 BARS AT 12" C.C.E.W.

STRUCTURE SUMMARY:

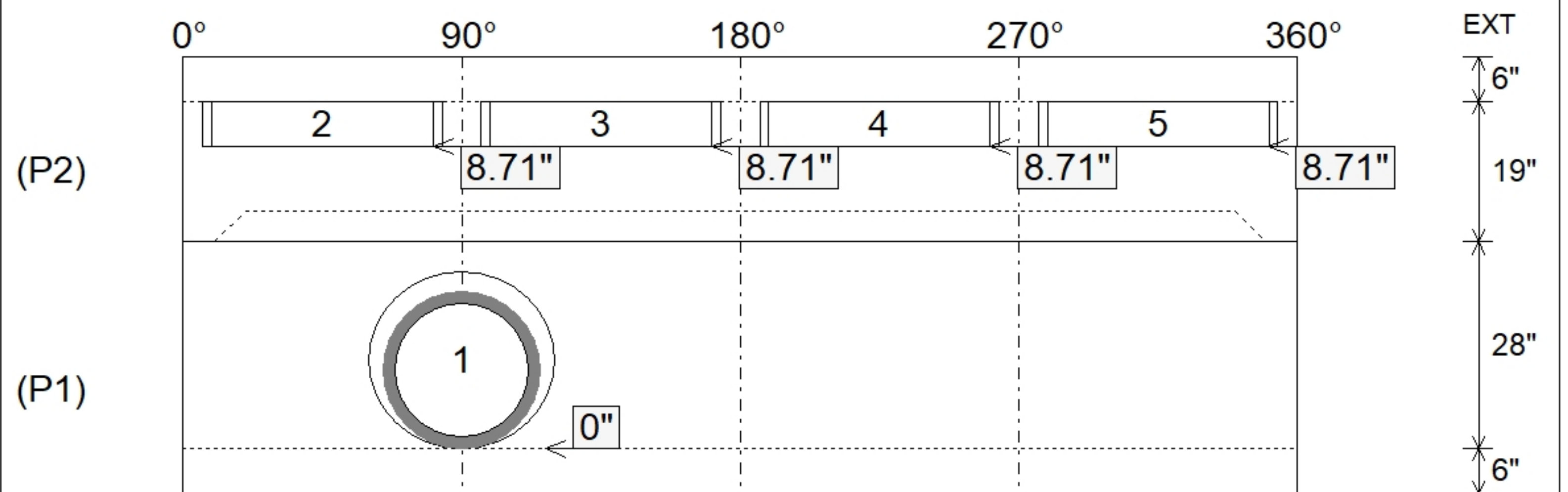
P2) 48" - MH MONOTOP Special, Custom Ht - 25"	2108 lb
P1) 48" - MH BASE Custom Ht - 28"	3136 lb
1) CASTING - HOE MCS-288 Cover Storm	125 lb
1) CASTING - HOE MCS-288 Frame	123 lb
1) 48" - SGL 1"x14.5' Butyl (2x)	0 lb
1) Hole - 24	0 lb
4) Horiz Slot - 30"x6"	0 lb
4) MH Step ML-10-TDS-NCR - 10"	0 lb
Structure Total:	5492 lb



Position	Elev	Angle	Pipe	Pipe OD	Hole	Connector	Up (")	Ref
Rim	402'							
Reducer								
Invert 1	397.72'	90°	18" HDPE	21.2"	24"	Hole 24	0"	P1
Invert 2	401'	45°	30" x 6" Horiz Slot	30" x 6"	30" x 6"	Horiz Slot 30"x6"	8.71"	P2
Invert 3	401'	135°	30" x 6" Horiz Slot	30" x 6"	30" x 6"	Horiz Slot 30"x6"	8.71"	P2
Invert 4	401'	225°	30" x 6" Horiz Slot	30" x 6"	30" x 6"	Horiz Slot 30"x6"	8.71"	P2
Invert 5	401'	315°	30" x 6" Horiz Slot	30" x 6"	30" x 6"	Horiz Slot 30"x6"	8.71"	P2
Invert 6								
Invert 7								
Invert 8								



Default - Interior Dimensions



Submittal Drawing
 10/9/2025 10:40:26 AM

SUBMITTAL
 APPROVED BY: