

Job Name: 25-1267B Grocery Owensboro KY
Job Location: Owensboro, KY
Contractor: Winwater Hartford KY Co.

PC: A. Chambers
 TECH: J. Coppage
 Plant: Beaver Dam



Structure ID: **CB-F4**

Spec: Storm
 Type: BX 6inW, 6inF
 Size: 30" x 30"

Rim: 400.5'
 Invert: 397.54'
 Rim to Invert: 2.96'

Sump: 2.5"
 Floor (Top): 397.332'
 Floor Height: 6"

Floor (Bot): 396.832'
 Overall Height: 3.5'
 Slack: 2.02"

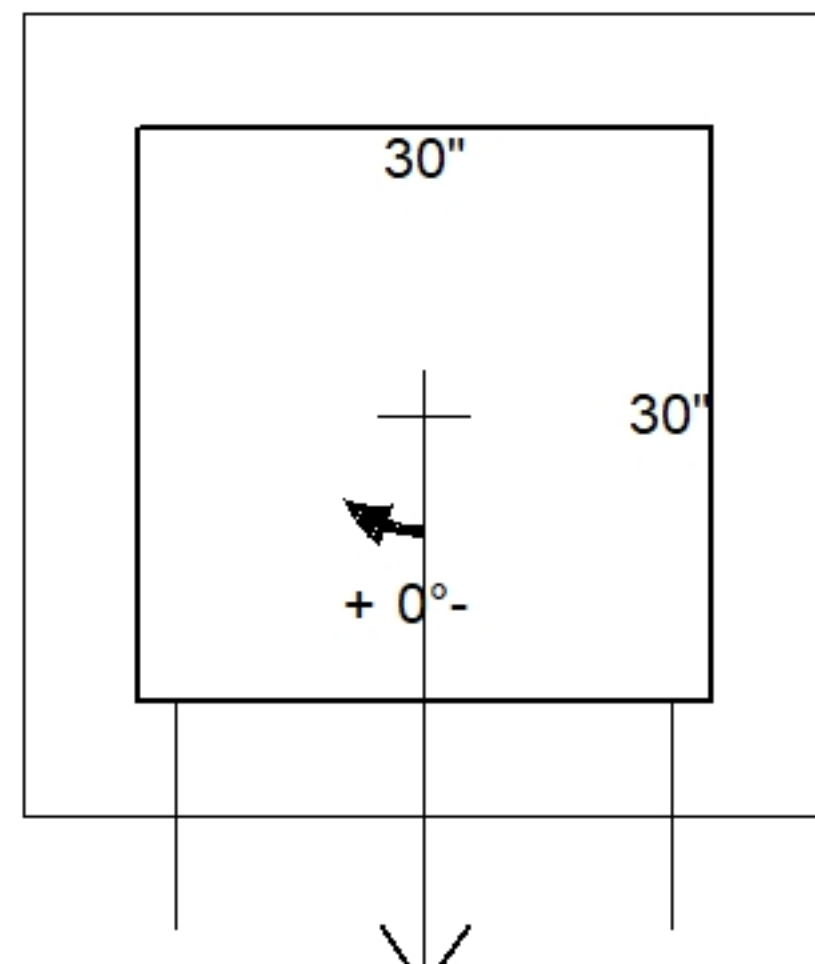
Structure Notes:

1. JR HOE HOE-468 PROVIDED BY ICAST.
2. PER ASTM C913 SPECIFICATIONS.
3. CONCRETE = 4,000 PSI AT 28 DAYS.
4. REINFORCING PER ASTM A615 (GRADE 60).
 - WALLS (As .12) #5 BARS AT 12" C.C.E.W.
 - FLOOR (As .12) #5 BARS AT 12" C.C.E.W.

STRUCTURE SUMMARY:

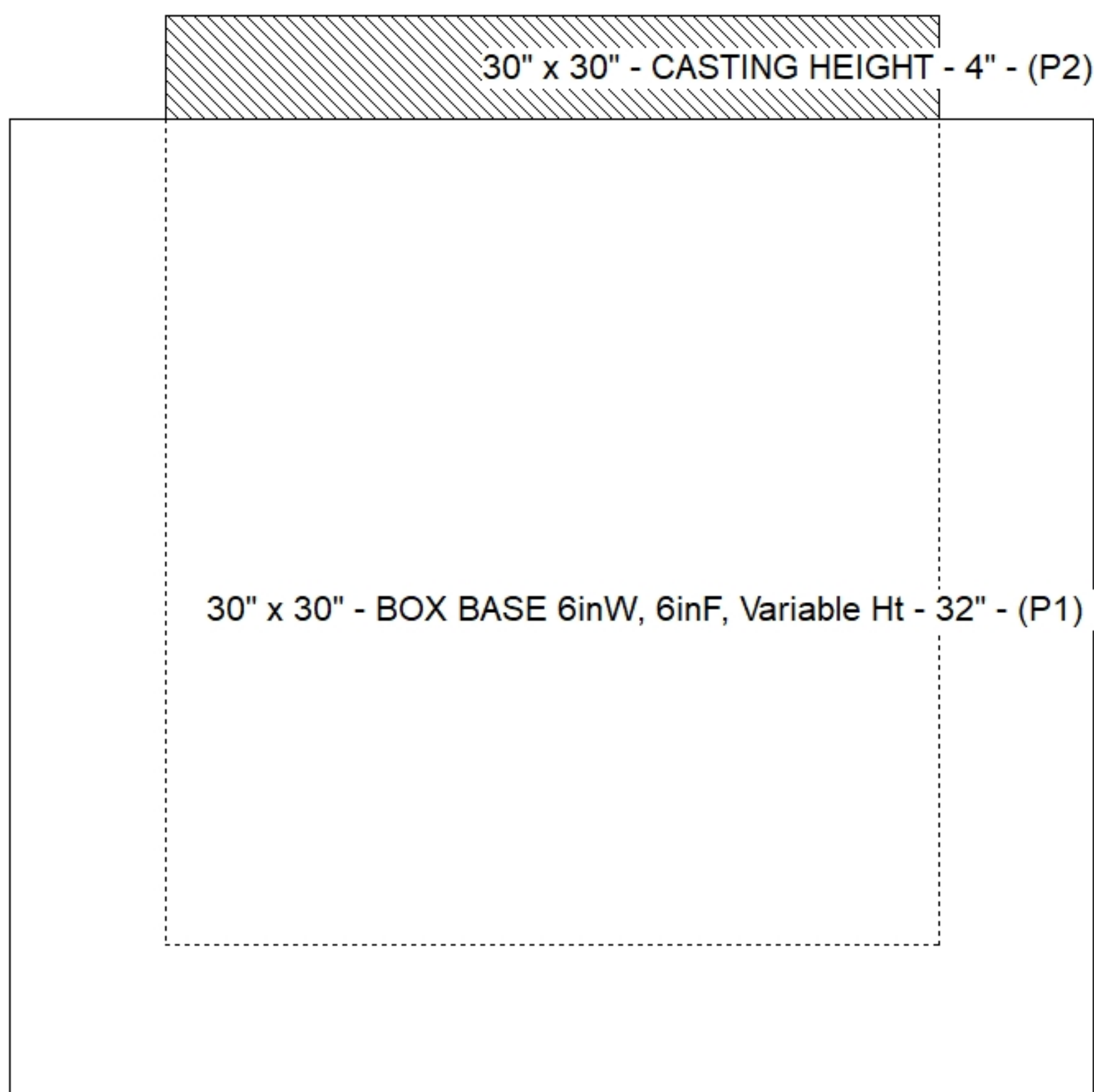
P2) 30" x 30" - CASTING HEIGHT - 4"	0 lb
P1) 30" x 30" - BOX BASE 6inW, 6inF, Variable Ht - 32"	2941 lb
1) CASTING - HOE 468 F/G	489 lb
1) 30" x 30" - SGL 1"x14.5' Butyl	0 lb
1) Hole - 26	0 lb

Structure Total:	3430 lb

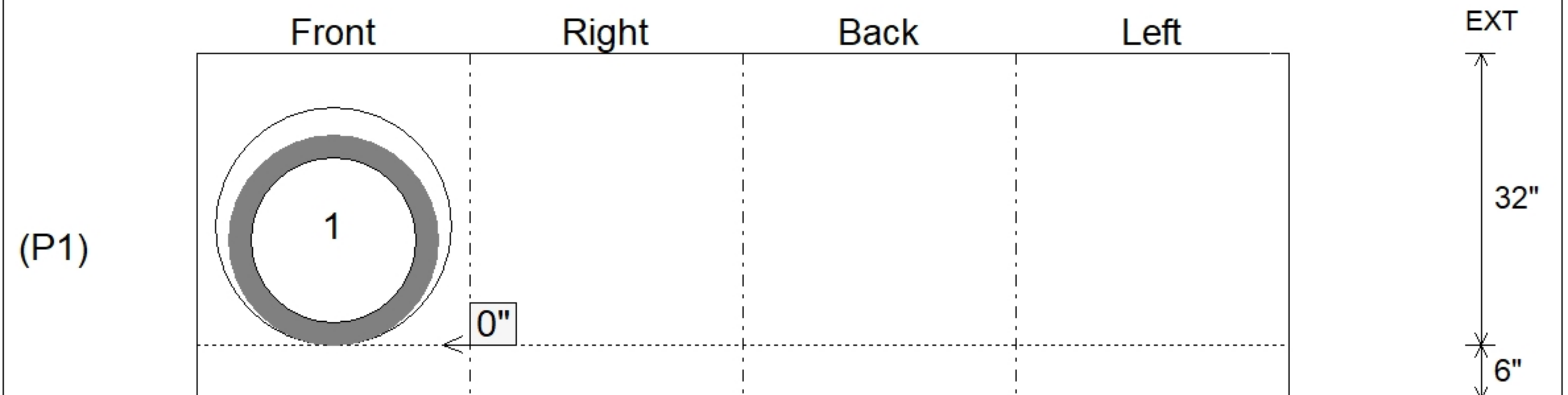


Invert: 1
 Degree: 0°

Position	Elev	Angle	Pipe	Pipe OD	Hole	Connector	Up ()	Ref
Rim	400.5'							
Reducer								
Invert 1	397.54'	0°	18" RCP B WALL	23"	26"	Hole 26	0"	P1
Invert 2								
Invert 3								
Invert 4								
Invert 5								
Invert 6								
Invert 7								
Invert 8								



Default - Interior Dimensions



Submittal Drawing
 10/9/2025 10:40:24 AM

SUBMITTAL
 APPROVED BY: