

Job Name: 25-1267B Grocery Owensboro KY
Job Location: Owensboro, KY
Contractor: Winwater Hartford KY Co.

PC: A. Chambers
 TECH: J. Coppage
 Plant: Beaver Dam

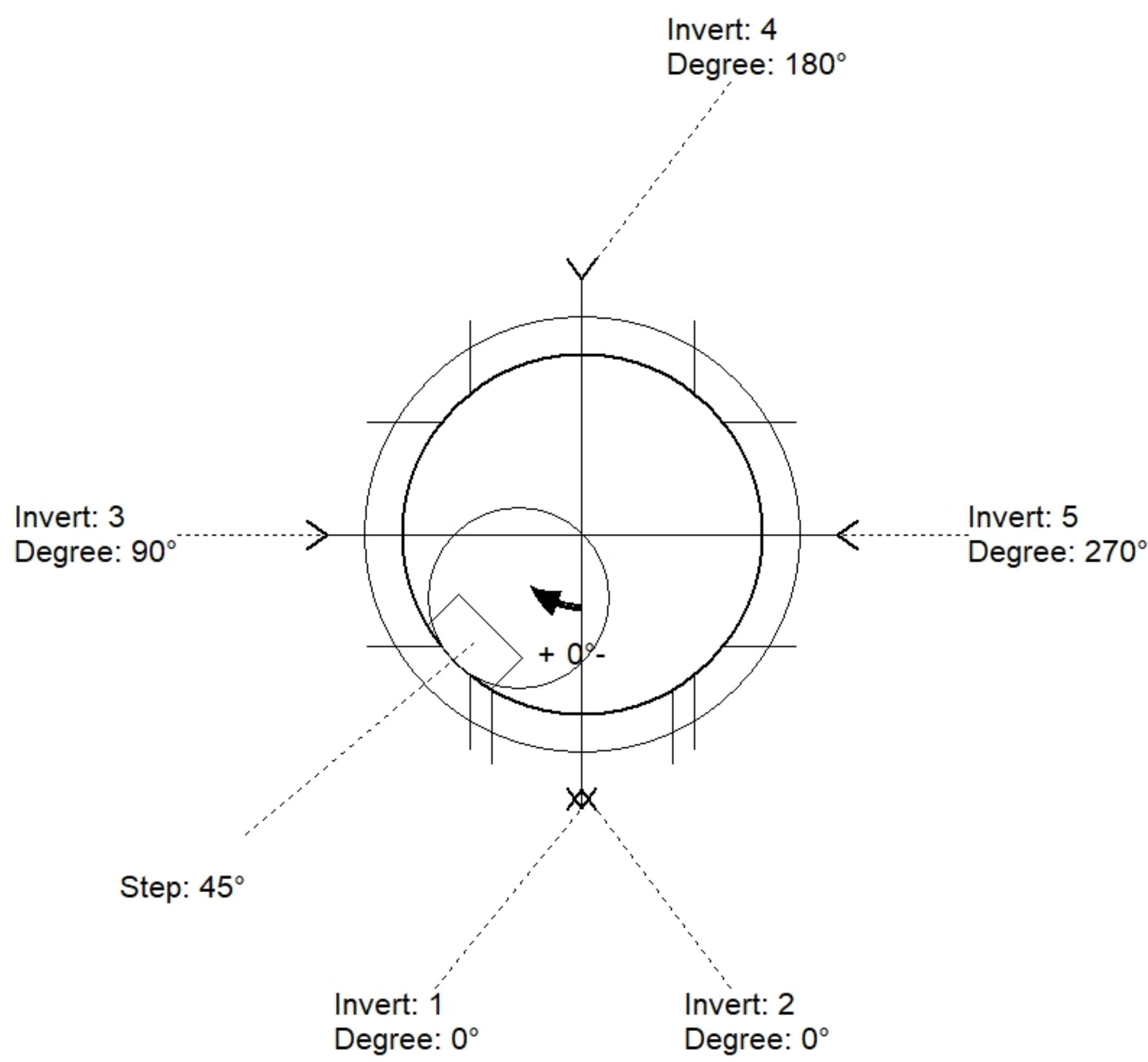


Structure ID: **CB-C3.3**
 Spec: Storm Rim: 401.5' Sump: 1.6" Floor (Bot): 396.367'
 Type: STM.MH Invert: 397' Floor (Top): 396.867' Overall Height: 5.083'
 Size: 48" Rim to Invert: 4.5' Floor Height: 6" Slack: 0.6"

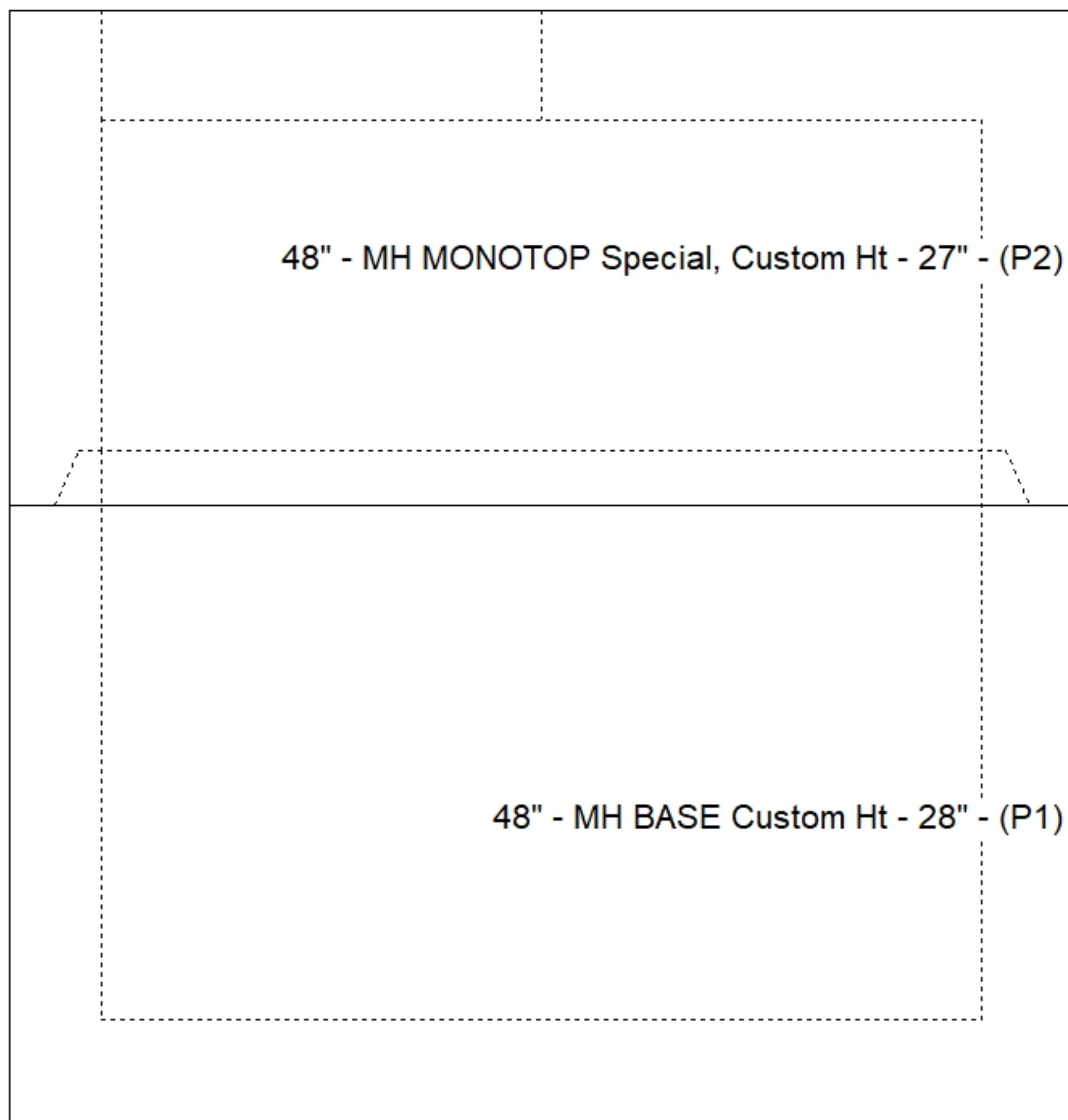
Structure Notes:
 1. JR HOE MCS-288 STORM PROVIDED BY ICAST.
 2. PER ASTM C478 SPECIFICATIONS.
 3. CONCRETE = 4,000 PSI AT 28 DAYS.
 4. REINFORCING PER ASTM A615 (GRADE 60).
 - TOP SLAB (As .62) #5 BARS AT 6" C.C.E.W..
 - RISER/WALLS (As .12)
 - FLOOR (As .31) #5 BARS AT 12" C.C.E.W.
 5. CASTING FRAME TO BE CAST INTO THE MONOTOP.

STRUCTURE SUMMARY:

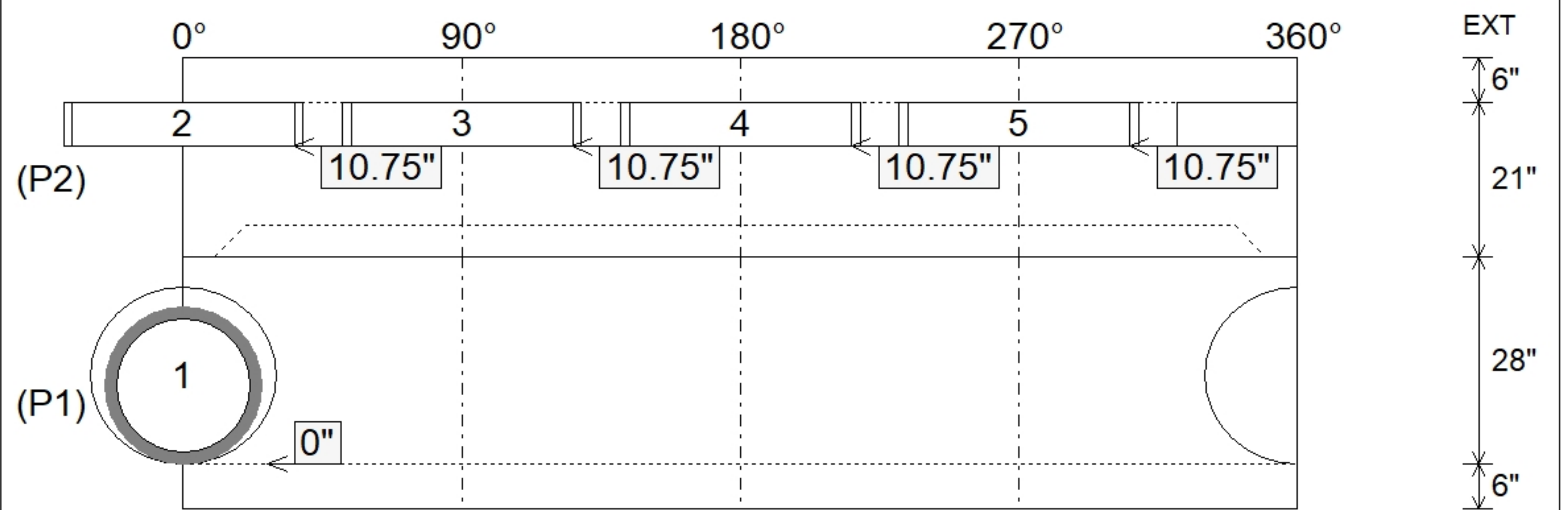
P2) 48" - MH MONOTOP Special, Custom Ht - 27"	2248 lb
P1) 48" - MH BASE Custom Ht - 28"	3089 lb
1) CASTING - HOE MCS-288 Cover Storm	125 lb
1) CASTING - HOE MCS-288 Frame	123 lb
1) 48" - SGL 1"x14.5' Butyl (2x)	0 lb
1) Hole - 24	0 lb
4) Horiz Slot - 30"x6"	0 lb
4) MH Step ML-10-TDS-NCR - 10"	0 lb
Structure Total:	5585 lb



Position	Elev	Angle	Pipe	Pipe OD	Hole	Connector	Up (")	Ref
Rim	401.5'							
Reducer								
Invert 1	397'	0°	18" HDPE	21.2"	24"	Hole 24	0"	P1
Invert 2	400.45'	0°	30" x 6" Horiz Slot	30" x 6"	30" x 6"	Horiz Slot 30"x6"	10.75"	P2
Invert 3	400.45'	90°	30" x 6" Horiz Slot	30" x 6"	30" x 6"	Horiz Slot 30"x6"	10.75"	P2
Invert 4	400.45'	180°	30" x 6" Horiz Slot	30" x 6"	30" x 6"	Horiz Slot 30"x6"	10.75"	P2
Invert 5	400.45'	270°	30" x 6" Horiz Slot	30" x 6"	30" x 6"	Horiz Slot 30"x6"	10.75"	P2
Invert 6								
Invert 7								
Invert 8								



Default - Interior Dimensions



Submittal Drawing
 10/9/2025 10:40:20 AM

SUBMITTAL
 APPROVED BY: