

Job Name: 25-1267B Grocery Owensboro KY  
 Job Location: Owensboro, KY  
 Contractor: Winwater Hartford KY Co.

Plant: Beaver Dam  
 9/24/2025 12:31:49 PM

Tech: J. Coppage  
 PC: A. Chambers



**Structure ID: CB-C3.3**

**P2 MH048MTVF**

**MH MONOTOP Special, Custom Ht**

- P2) 48" - MH MONOTOP Special, Custom Ht - 27"
- P1) 48" - MH BASE Custom Ht - 28"
- 1) 48" - SGL 1"x14.5' Butyl (2x)
- 1) Hole - 24
- 4) Horiz Slot - 30"x6"
- 4) MH Step ML-10-TDS-NCR - 10"

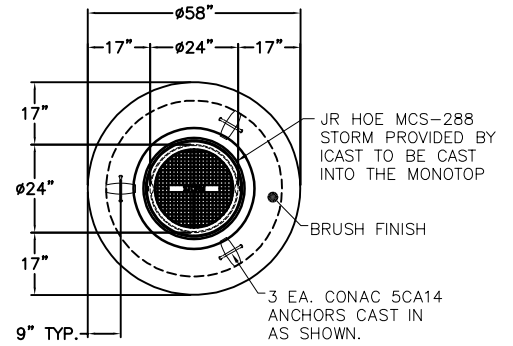
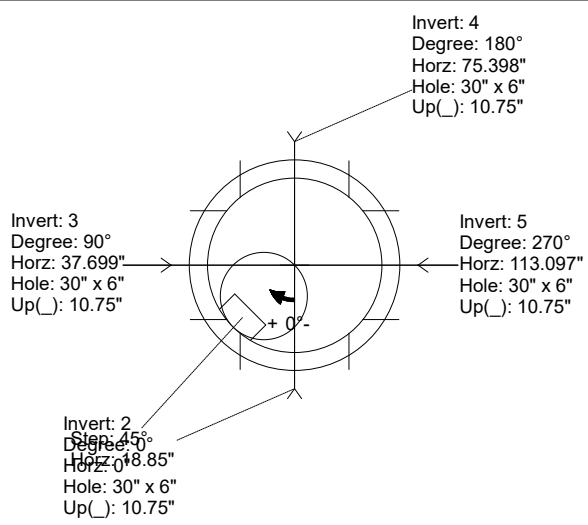
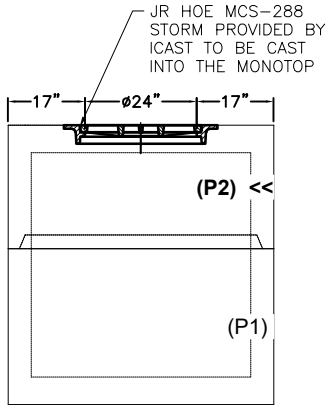
2248 lb  
 3089 lb  
 0 lb  
 0 lb  
 0 lb  
 0 lb  
 0 lb  
 -----  
 Structure Total: 5337 lb

- Structure Notes:**
1. JR HOE MCS-288 STORM PROVIDED BY ICAST.
  2. PER ASTM C478 SPECIFICATIONS.
  3. CONCRETE = 4,000 PSI AT 28 DAYS.
  4. REINFORCING PER ASTM A615 (GRADE 60).  
 - TOP SLAB (As .62) #5 BARS AT 6" C.C.E.W..  
 - RISER/WALLS (As .12)  
 - FLOOR (As .31) #5 BARS AT 12" C.C.E.W.
  5. CASTING FRAME TO BE CAST INTO THE MONOTOP.

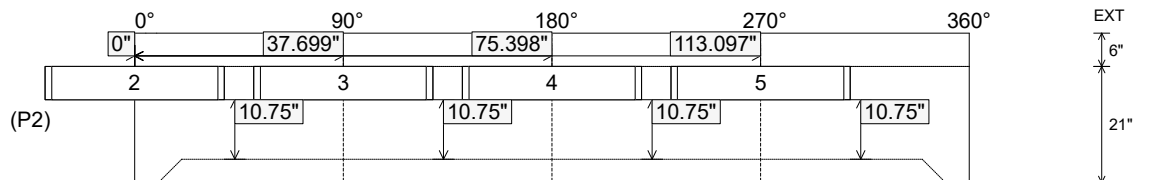
Rim: 401.5' Rim to Invert: 4.5' Slack: 0.6" Sump: 1.6" Step Position: 45°

Position	Elev	Angle	Ext. (cw)	Pipe	Pipe OD	Connector	Hole	Horz Size	Up ( )	Offset
Invert 1										
Invert 2	400.45'	0°	0"	30" x 6" Horiz Slot	30" x 6"	Horiz Slot 30"x6"	30" x 6"	32.406"	10.75"	0"
Invert 3	400.45'	90°	45.553"	30" x 6" Horiz Slot	30" x 6"	Horiz Slot 30"x6"	30" x 6"	32.406"	10.75"	0"
Invert 4	400.45'	180°	91.106"	30" x 6" Horiz Slot	30" x 6"	Horiz Slot 30"x6"	30" x 6"	32.406"	10.75"	0"
Invert 5	400.45'	270°	136.659"	30" x 6" Horiz Slot	30" x 6"	Horiz Slot 30"x6"	30" x 6"	32.406"	10.75"	0"
Invert 6										
Invert 7										
Invert 8										

**RIGHT-SIDE UP VIEW (int. dimensions)**



**INSIDE WALL DIMENSIONS**



Coating (Int):  
 Coating (Ext):

Seam Up: Flat  
 Seam Dn: Groove

Wall Thickness: 5"  
 Floor Height: 6"

Height (Int): 21"  
 Height (Ext): 27"

Weight (Net): 2248 lb  
 Volume (Net): 0.57cu.yd