

Job Name: 25-1267B Grocery Owensboro KY
Job Location: Owensboro, KY
Contractor: Winwater Hartford KY Co.

PC: A. Chambers
 TECH: J. Coppage
 Plant: Beaver Dam



Structure ID: **CB-A7**

Spec: Storm
 Type: STM.MH
 Size: 48"

Rim: 403.3'
 Invert: 399.19'
 Rim to Invert: 4.11'

Sump: 2.55"
 Floor (Top): 398.978'
 Floor Height: 6"

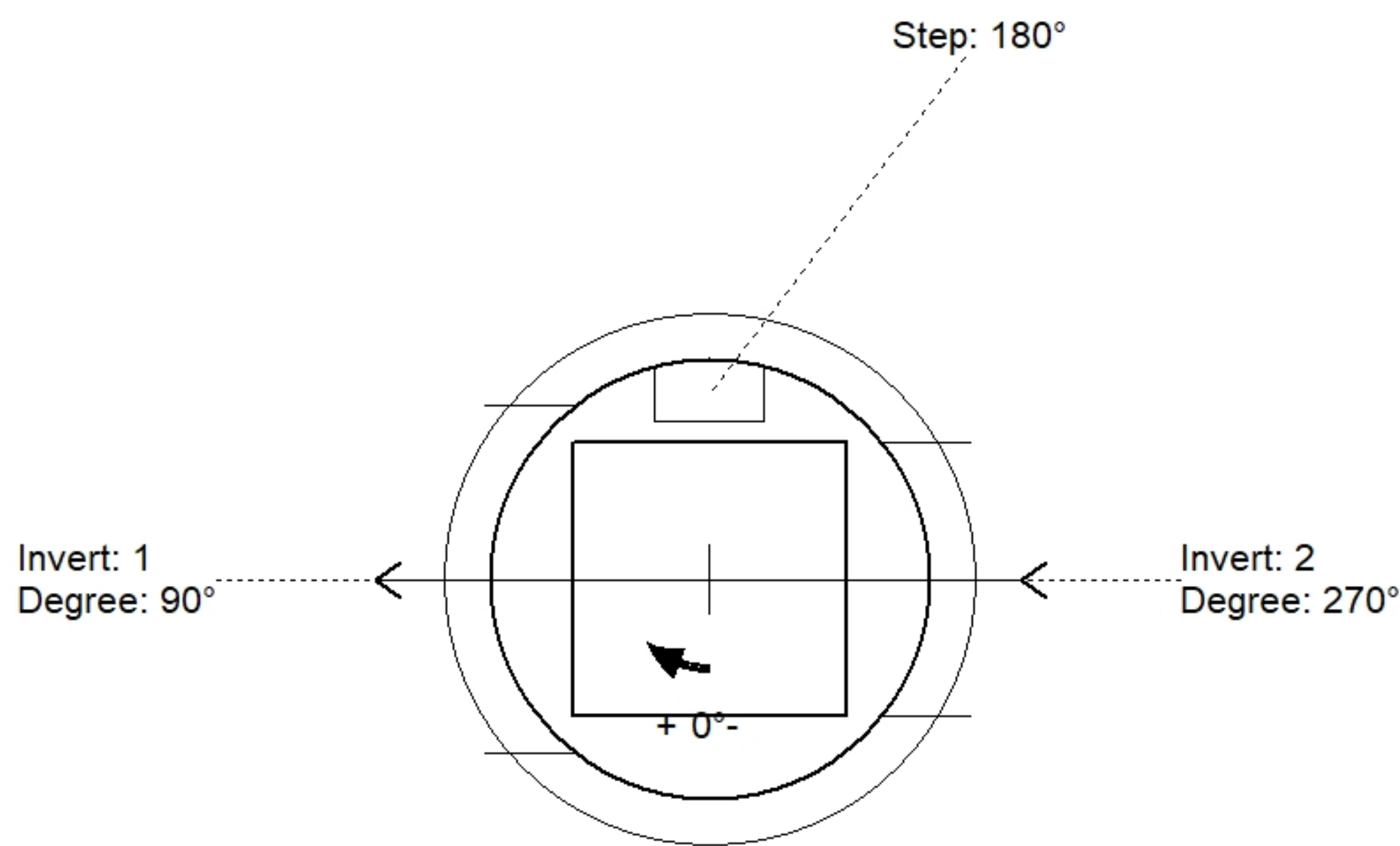
Floor (Bot): 398.478'
 Overall Height: 4.75'
 Slack: 0.87"

Structure Notes:

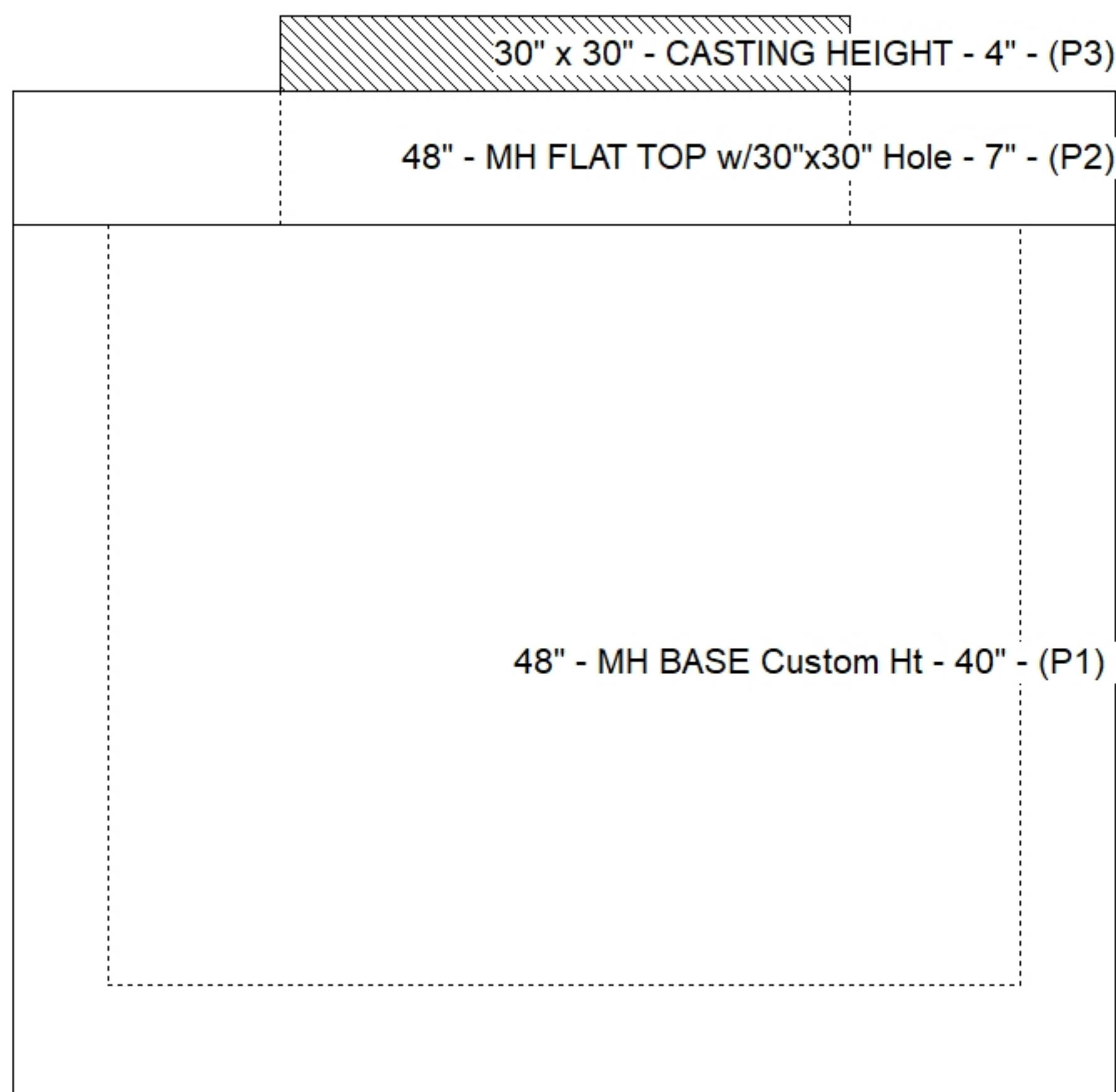
1. JR HOE HOE-468 PROVIDED BY ICAST.
2. PER ASTM C478 SPECIFICATIONS.
3. CONCRETE = 4,000 PSI AT 28 DAYS.
4. REINFORCING PER ASTM A615 (GRADE 60).
 - TOP SLAB (As .62) #5 BARS AT 6" C.C.E.W..
 - RISER/WALLS (As .12)
 - FLOOR (As .31) #5 BARS AT 12" C.C.E.W.

STRUCTURE SUMMARY:

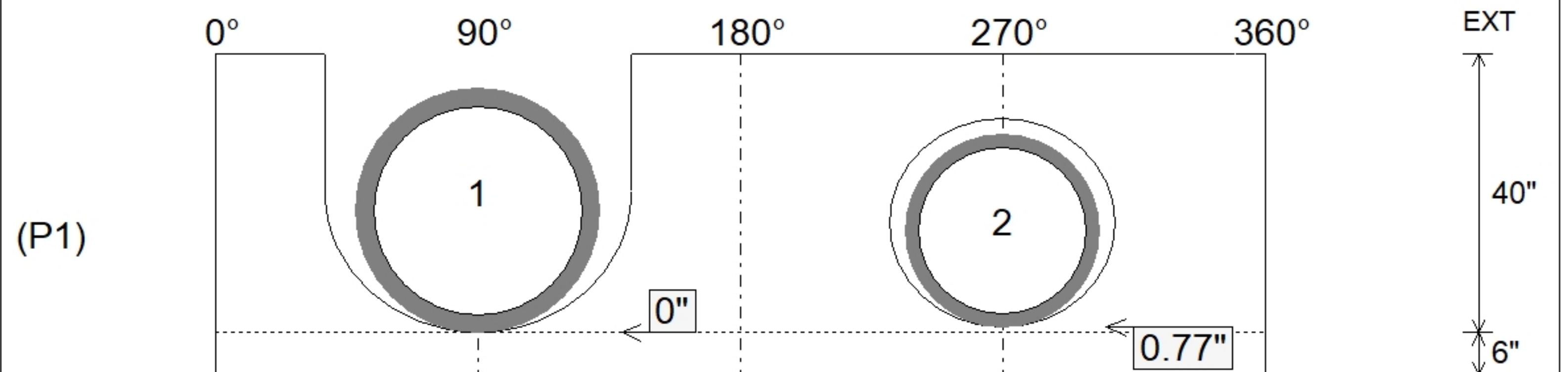
P3) 30" x 30" - CASTING HEIGHT - 4"	0 lb
P2) 48" - MH FLAT TOP w/30"x30" Hole - 7"	1264 lb
P1) 48" - MH BASE Custom Ht - 40"	3170 lb
1) CASTING - HOE 468 F/G	489 lb
1) 48" - SGL 1"x14.5' Butyl (2x)	0 lb
1) DOGHOUSE INVRTD - 38"x40"	0 lb
1) Hole - 30	0 lb
3) MH Step ML-10-TDS-NCR - 10"	0 lb
Structure Total:	4923 lb



Position	Elev	Angle	Pipe	Pipe OD	Hole	Connector	Up ()	Ref
Rim	403.3'							
Reducer								
Invert 1	399.19'	90°	30" HDPE	35.1"	38" x 40"	DOGHOUSE INVRTD 38"x40"	0"	P1
Invert 2	399.2'	270°	24" HDPE	27.8"	30"	Hole 30	0.77"	P1
Invert 3								
Invert 4								
Invert 5								
Invert 6								
Invert 7								
Invert 8								



Default - Interior Dimensions



Submittal Drawing
 10/9/2025 10:40:12 AM

SUBMITTAL
 APPROVED BY: