

Job Name: 25-1267B Grocery Owensboro KY  
 Job Location: Owensboro, KY  
 Contractor: Winwater Hartford KY Co.

Plant: Beaver Dam

Tech: J. Coppage

9/18/2025 12:09:05 PM

PC: A. Chambers



**Structure ID: CB-A7**

**P1 MH048BAVF**

**MH BASE Custom Ht**

- P3) 30" x 30" - CASTING HEIGHT - 4"
- P2) 48" - MH FLAT TOP w/30"x30" Hole - 7"
- P1) 48" - MH BASE Custom Ht - 40"
- 1) 48" - SGL 1"x14.5' Butyl (2x)
- 1) DOGHOUSE INVRTD - 38"x40"
- 1) Hole - 30
- 3) MH Step ML-10-TDS-NCR - 10"

- Structure Notes:
1. JR HOE HOE-468 PROVIDED BY ICAST.
  2. PER ASTM C478 SPECIFICATIONS.
  3. CONCRETE = 4,000 PSI AT 28 DAYS.
  4. REINFORCING PER ASTM A615 (GRADE 60).
    - TOP SLAB (As .62) #5 BARS AT 6" C.C.E.W..
    - RISER/WALLS (As .12)
    - FLOOR (As .31) #5 BARS AT 12" C.C.E.W.

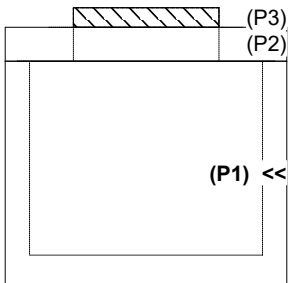
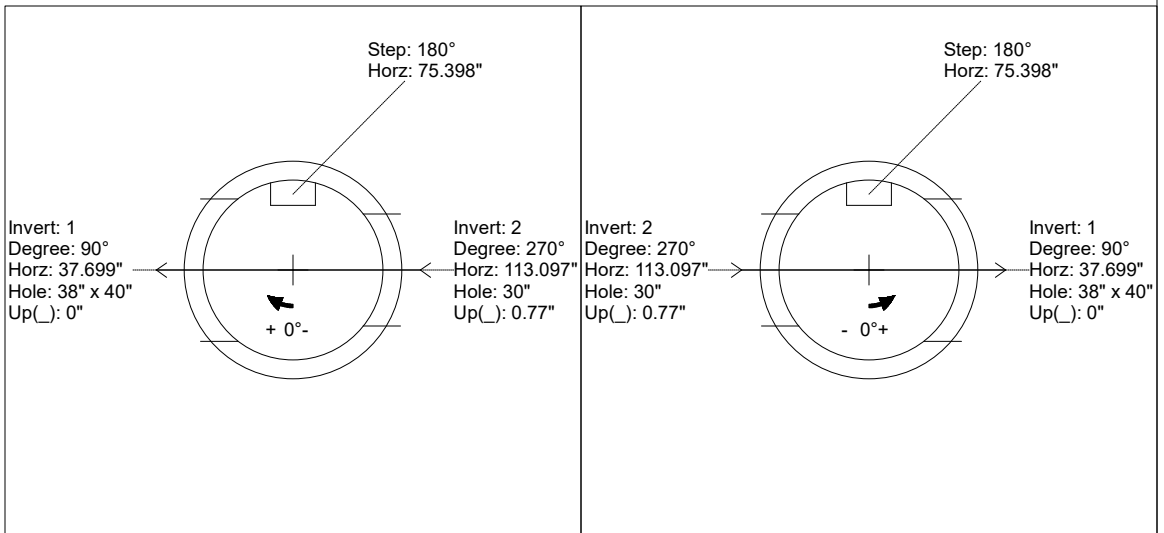
Structure Total: 4434 lb

Rim: 403.3' Rim to Invert: 4.11' Slack: 0.87" Sump: 2.55" Step Position: 180°

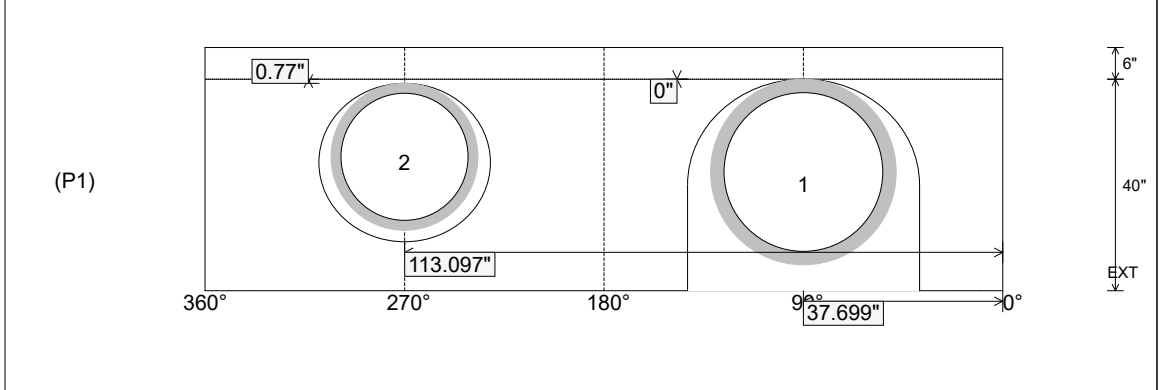
Position	Elev	Angle	Ext. (cw)	Pipe	Pipe OD	Connector	Hole	Horz Size	Up ( )	Offset
Invert 1	399.19'	90°	45.553"	30" HDPE	35.1"	DOGHOUSE INVRTD 38"x40"	38" x 40"	43.85"	0"	0"
Invert 2	399.2'	270°	136.659"	24" HDPE	27.8"	Hole 30	30"	32.406"	0.77"	0"
Invert 3										
Invert 4										
Invert 5										
Invert 6										
Invert 7										
Invert 8										

RIGHT-SIDE UP VIEW (int. dimensions)

UPSIDE-DOWN VIEW (int. dimensions)



INSIDE WALL DIMENSIONS



Coating (Int): Coating (Ext):	Seam Up: Flat Seam Dn: n/a	Wall Thickness: 5" Floor Height: 6"	Height (Int): 40" Height (Ext): 46"	Weight (Net): 3170 lb Volume (Net): 0.81cu.yd
----------------------------------	-------------------------------	--	--	--