

Job Name: 25-1267B Grocery Owensboro KY
 Job Location: Owensboro, KY
 Contractor: Winwater Hartford KY Co.

Plant: Beaver Dam

Tech: J. Coppage

9/18/2025 12:09:04 PM

PC: A. Chambers



Structure ID: CB-A6

P1 MH060BAVF

MH BASE Custom Ht

- P3) 30" x 30" - CASTING HEIGHT - 4"
- P2) 60" - MH FLAT TOP w/30"x30" Hole - 8"
- P1) 60" - MH BASE Custom Ht - 44"
- 1) 60" - SGL 1"x14.5' Butyl (2x)
- 1) DOGHOUSE INVRTD - 44"x44"
- 1) Hole - 38
- 3) MH Step ML-10-TDS-NCR - 10"

- Structure Notes:
1. JR HOE HOE-468 PROVIDED BY ICAST.
 2. PER ASTM C478 SPECIFICATIONS.
 3. CONCRETE = 4,000 PSI AT 28 DAYS.
 4. REINFORCING PER ASTM A615 (GRADE 60).
 - TOP SLAB (As .62) #5 BARS AT 6" C.C.E.W..
 - RISER/WALLS (As .18)
 - FLOOR (As .37) #5 BARS AT 10" C.C.E.W.

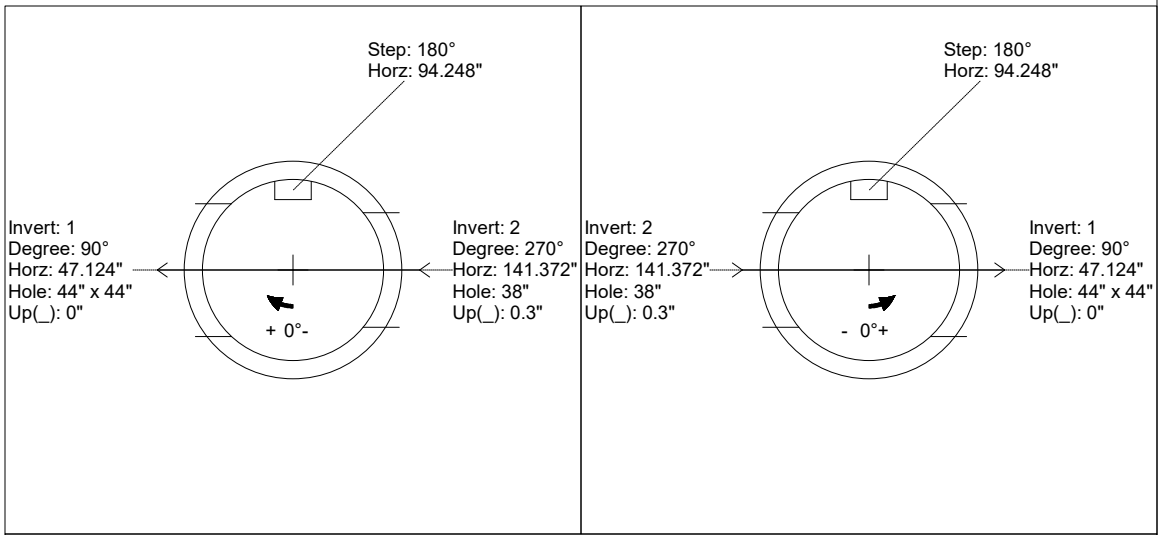
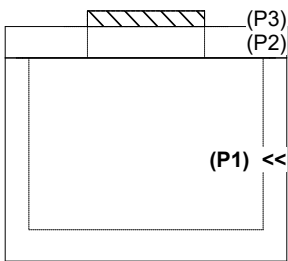
Structure Total: 7999 lb

Rim: 403.3' Rim to Invert: 4.46' Slack: 0.37' Sump: 2.85' Step Position: 180°

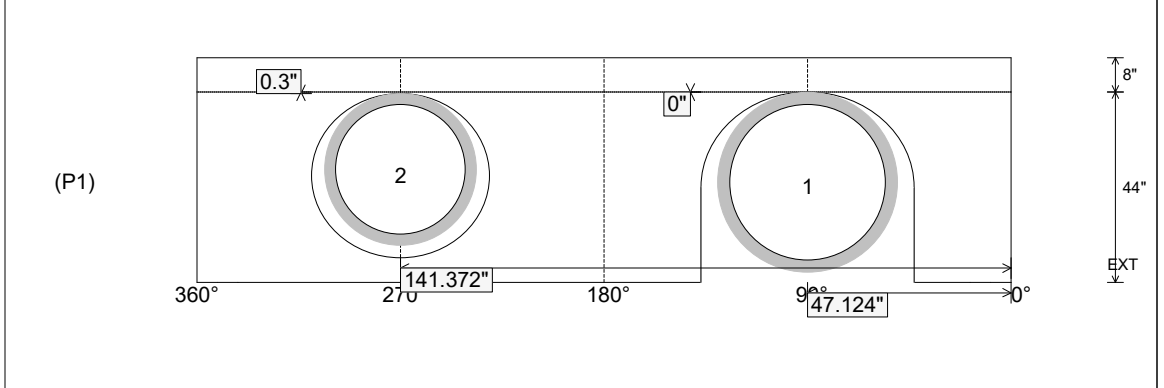
Position	Elev	Angle	Ext. (cw)	Pipe	Pipe OD	Connector	Hole	Horz Size	Up ()	Offset
Invert 1	398.84'	90°	56.549"	36" HDPE	41.7"	DOGHOUSE INVRTD 44"x44"	44" x 44"	49.393"	0"	0"
Invert 2	398.84'	270°	169.646"	30" HDPE	35.1"	Hole 38	38"	41.151"	0.3"	0"
Invert 3										
Invert 4										
Invert 5										
Invert 6										
Invert 7										
Invert 8										

RIGHT-SIDE UP VIEW (int. dimensions)

UPSIDE-DOWN VIEW (int. dimensions)



INSIDE WALL DIMENSIONS



Coating (Int): Coating (Ext):	Seam Up: Flat Seam Dn: n/a	Wall Thickness: 6" Floor Height: 8"	Height (Int): 44" Height (Ext): 52"	Weight (Net): 5760 lb Volume (Net): 1.47cu.yd
----------------------------------	-------------------------------	--	--	--