

Job Name: 25-1267B Grocery Owensboro KY
Job Location: Owensboro, KY
Contractor: Winwater Hartford KY Co.

PC: A. Chambers
 TECH: J. Coppage
 Plant: Beaver Dam



Structure ID: **CB-A5.3**
 Spec: Storm
 Type: BX 6inW, 6inF
 Size: 30" x 30"

Rim: 402.8'
 Invert: 399.58'
 Rim to Invert: 3.22'

Sump: 3"
 Floor (Top): 399.33'
 Floor Height: 6"

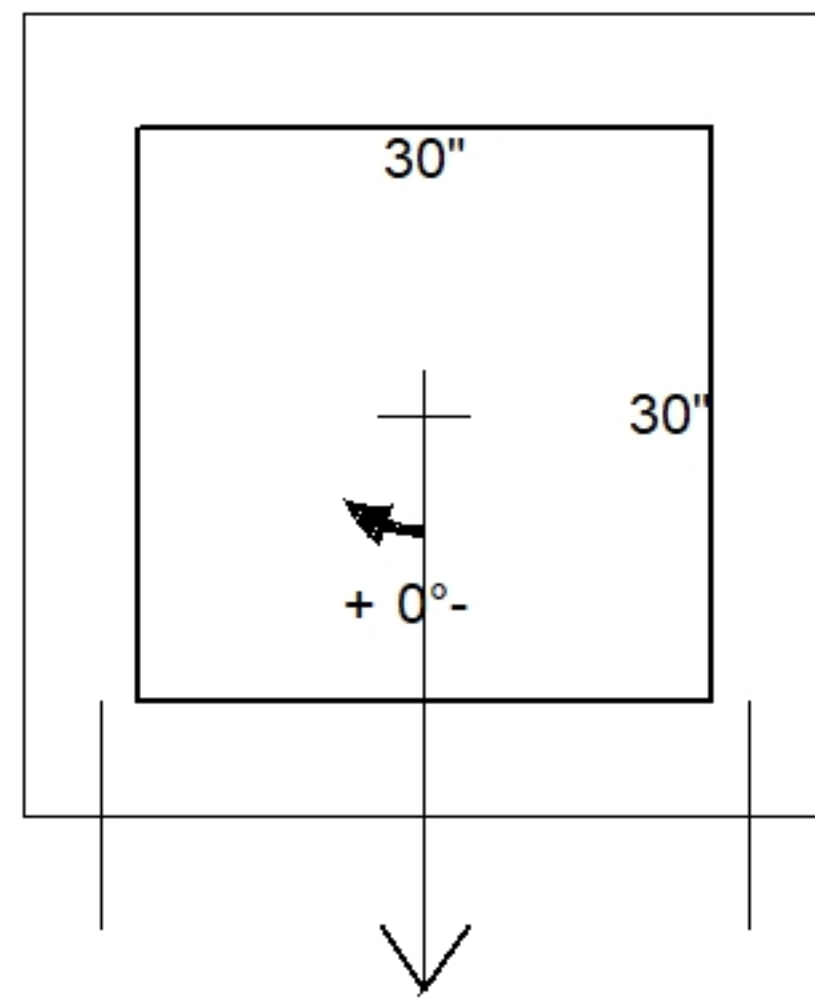
Floor (Bot): 398.83'
 Overall Height: 3.833'
 Slack: 1.64"

Structure Notes:

1. JR HOE HOE-468 PROVIDED BY ICAST.
2. PER ASTM C913 SPECIFICATIONS.
3. CONCRETE = 4,000 PSI AT 28 DAYS.
4. REINFORCING PER ASTM A615 (GRADE 60).
 - TOP SLAB (As .62) #5 BARS AT 6" C.C.E.W.
 - WALLS (As .12) #5 BARS AT 12" C.C.E.W.
 - FLOOR (As .12) #5 BARS AT 12" C.C.E.W.

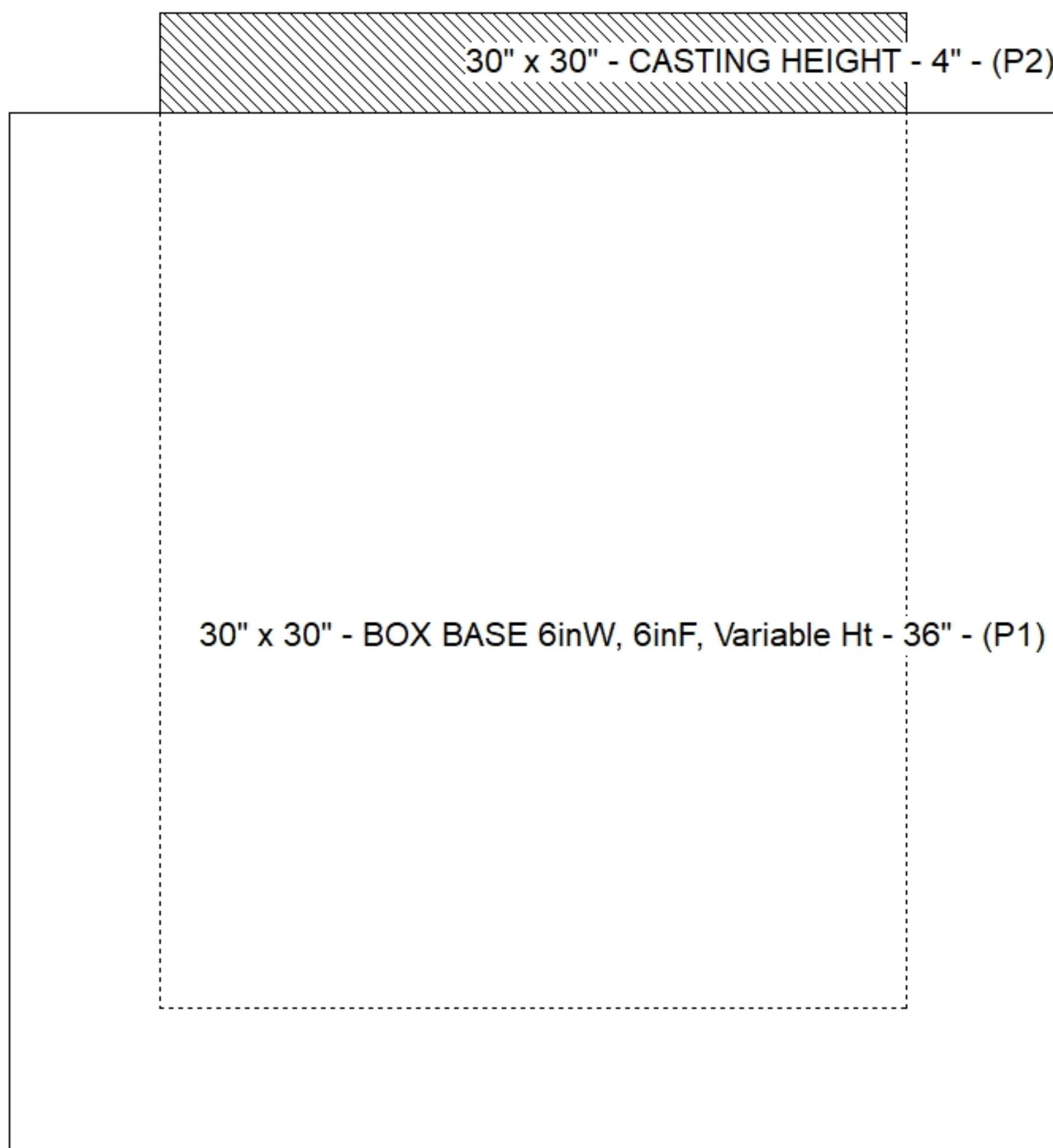
STRUCTURE SUMMARY:

P2) 30" x 30" - CASTING HEIGHT - 4"	0 lb
P1) 30" x 30" - BOX BASE 6inW, 6inF, Variable Ht - 36"	3085 lb
1) CASTING - HOE 468 F/G	489 lb
1) 30" x 30" - SGL 1"x14.5' Butyl	0 lb
1) DOGHOUSE INVRTD - 34"x36"	0 lb
Structure Total:	3574 lb

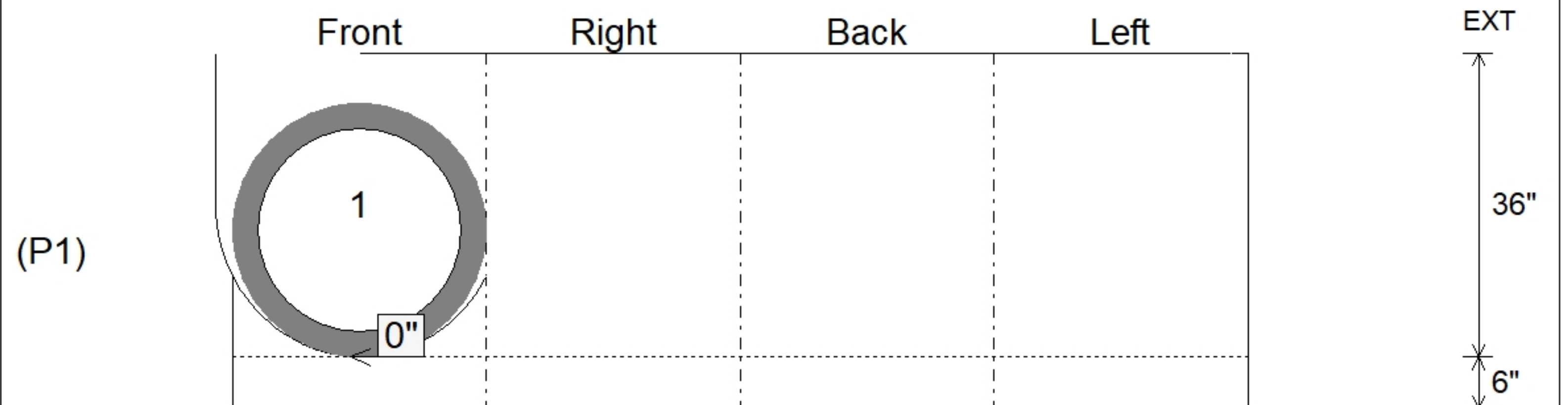


Invert: 1
 Degree: 0°

Position	Elev	Angle	Pipe	Pipe OD	Hole	Connector	Up ()	Ref
Rim	402.8'							
Reducer								
Invert 1	399.58'	0°	24" RCP B WALL	30"	34" x 36"	DOGHOUSE INVRTD 34"x36"	0"	P1
Invert 2								
Invert 3								
Invert 4								
Invert 5								
Invert 6								
Invert 7								
Invert 8								



Default - Interior Dimensions



Submittal Drawing
 10/9/2025 10:40:13 AM

SUBMITTAL
 APPROVED BY: