

Job Name: 25-1267B Grocery Owensboro KY
Job Location: Owensboro, KY
Contractor: Winwater Hartford KY Co.

PC: A. Chambers
 TECH: J. Coppage
 Plant: Beaver Dam



Structure ID: **CB-A5.2**
 Spec: Storm
 Type: STM.MH
 Size: 60"

Rim: 402.8'
 Invert: 399.22'
 Rim to Invert: 3.58'

Sump: 3"
 Floor (Top): 398.97'
 Floor Height: 8"

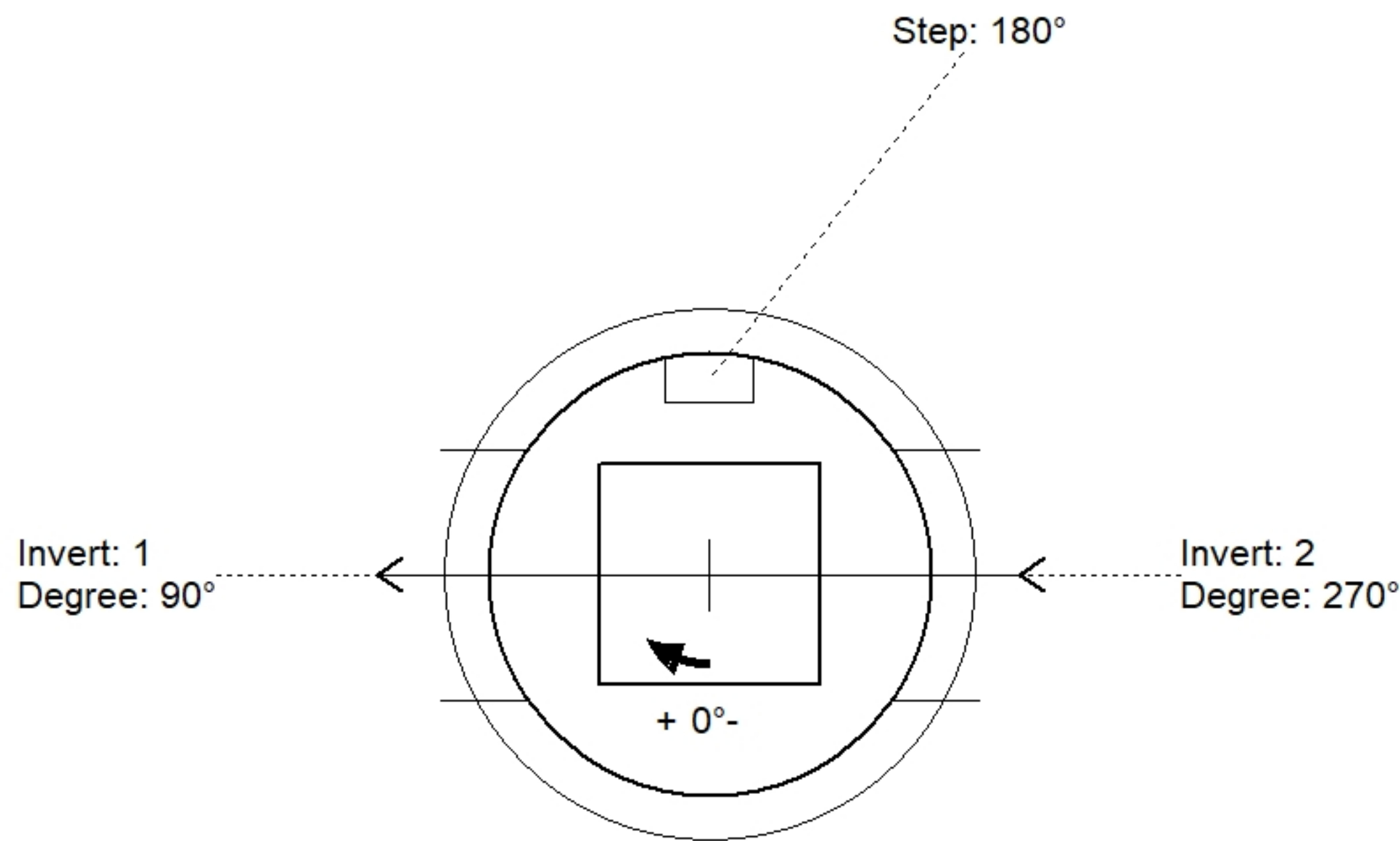
Floor (Bot): 398.303'
 Overall Height: 4.333'
 Slack: 1.96"

Structure Notes:

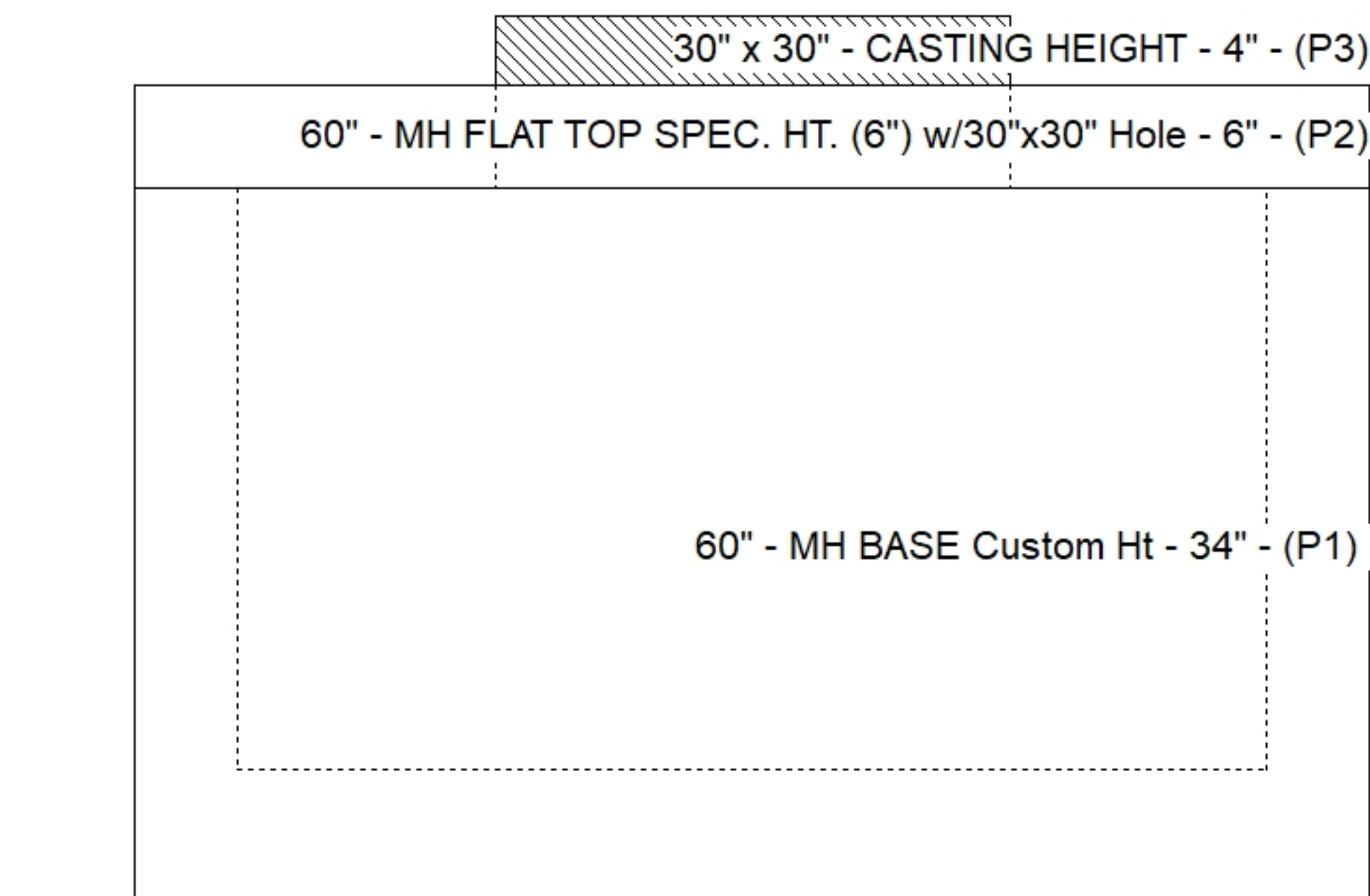
- JR HOE HOE-468 PROVIDED BY ICAST.
- PER ASTM C478 SPECIFICATIONS.
- CONCRETE = 4,000 PSI AT 28 DAYS.
- REINFORCING PER ASTM A615 (GRADE 60).
 - TOP SLAB (As .62) #5 BARS AT 6" C.C.E.W..
 - RISER/WALLS (As .18)
 - FLOOR (As .37) #5 BARS AT 10" C.C.E.W.

STRUCTURE SUMMARY:

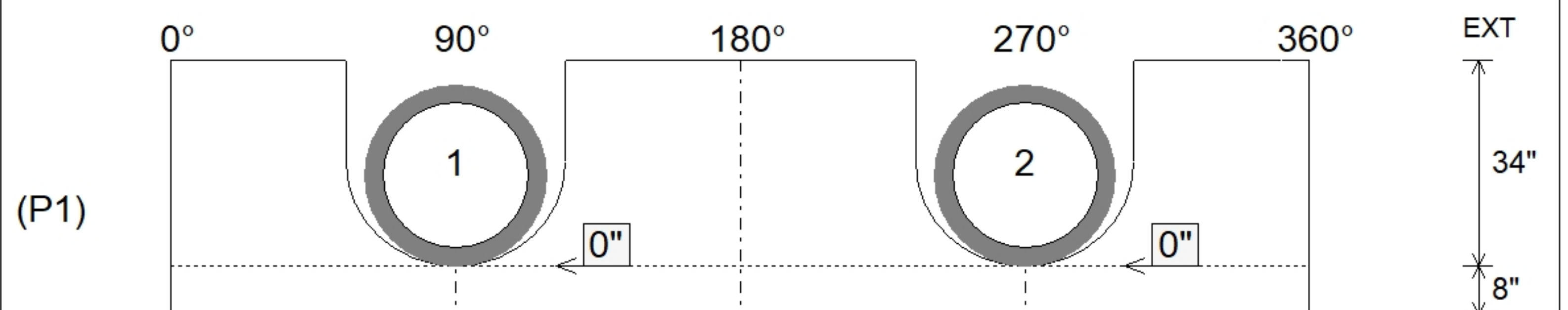
P3) 30" x 30" - CASTING HEIGHT - 4"	0 lb
P2) 60" - MH FLAT TOP SPEC. HT. (6") w/30"x30" Hole - 6"	1597 lb
P1) 60" - MH BASE Custom Ht - 34"	5189 lb
1) CASTING - HOE 468 F/G	489 lb
1) 60" - SGL 1"x14.5' Butyl (2x)	0 lb
2) DOGHOUSE INVRTD - 34"x34"	0 lb
3) MH Step ML-10-TDS-NCR - 10"	0 lb
Structure Total:	7275 lb



Position	Elev	Angle	Pipe	Pipe OD	Hole	Connector	Up (")	Ref
Rim	402.8'							
Reducer								
Invert 1	399.22'	90°	24" RCP B WALL	30"	34" x 34"	DOGHOUSE INVRTD 34"x34"	0"	P1
Invert 2	399.22'	270°	24" RCP B WALL	30"	34" x 34"	DOGHOUSE INVRTD 34"x34"	0"	P1
Invert 3								
Invert 4								
Invert 5								
Invert 6								
Invert 7								
Invert 8								



Default - Interior Dimensions



Submittal Drawing
 10/9/2025 10:40:13 AM

SUBMITTAL
 APPROVED BY: