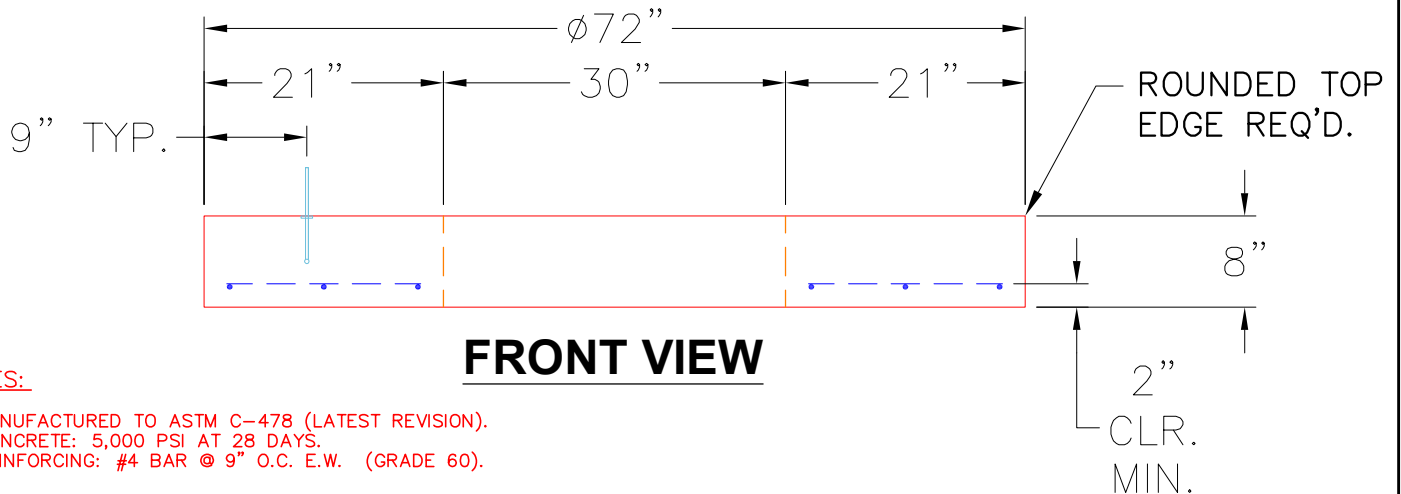
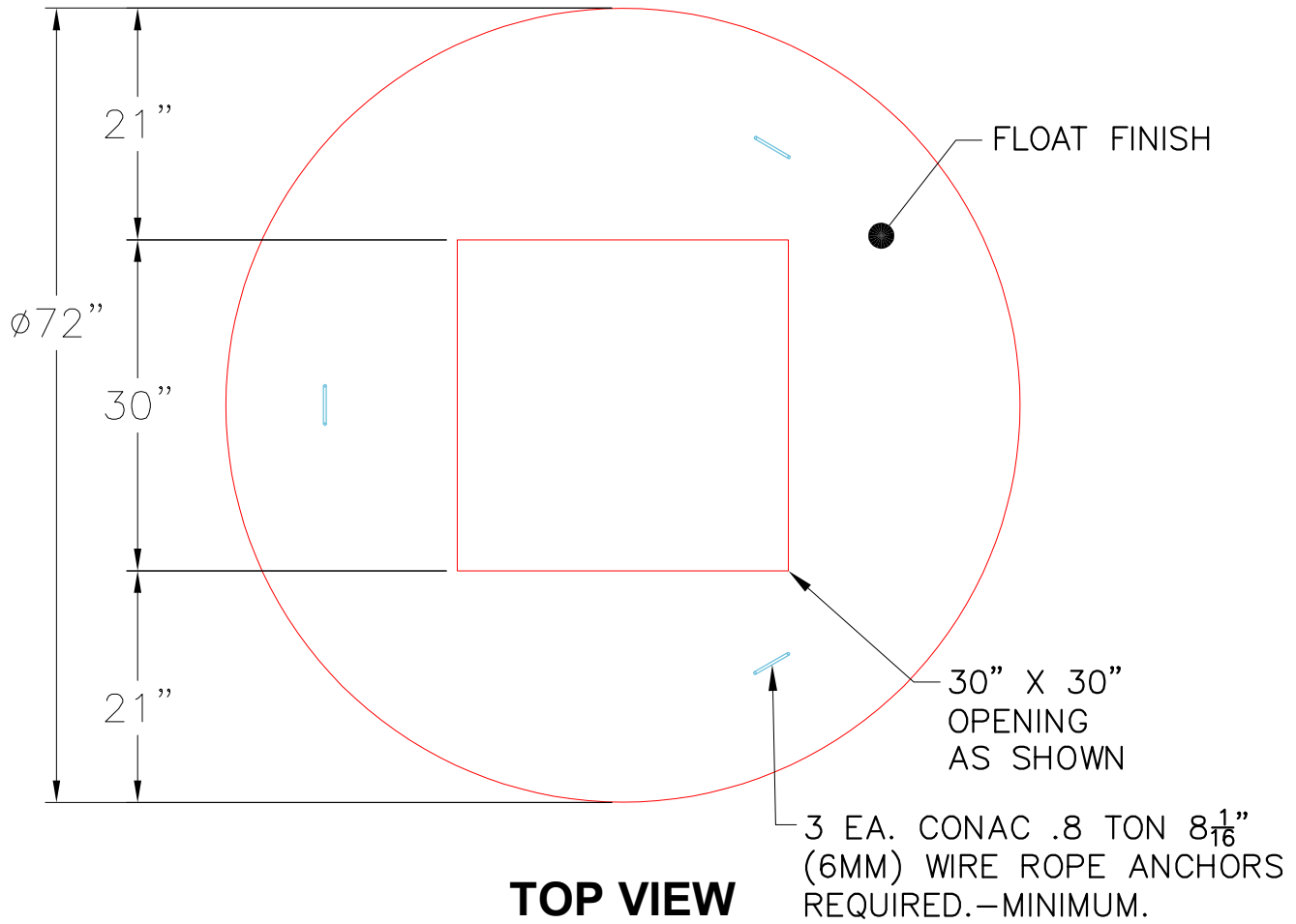



THIS DRAWING IS INTENDED TO BE PRINTED IN COLOR.



NOTES:

1. MANUFACTURED TO ASTM C-478 (LATEST REVISION).
2. CONCRETE: 5,000 PSI AT 28 DAYS.
3. REINFORCING: #4 BAR @ 9" O.C. E.W. (GRADE 60).

PRODUCTION WORK ORDER		PRODUCT I.D.: MH060LD08-30SQ	DESCRIPTION: 60"ø X 8" MH TOP SLAB 30" SQUARE OPENING	
	QUALITY CONTROL CHECKLIST	PRODUCT VIEW: RIGHT SIDE UP	CUSTOMER: WINWATER HARTFORD KY CO.	
	<input type="checkbox"/> ALL DIMENSIONS CORRECT.	PLANT: BEAVER DAM, KY.	PROJECT: OWENSBORO GROCERY	
	<input type="checkbox"/> LIFTERS INSTALLED.	WEIGHT: 2,239 LBS.	STRUCTURE: CB-A5	
	<input type="checkbox"/> HOLE LOCATION CORRECT.	TOP SECTION JOINT: N/A	QUOTE/SALES ORDER NO: 25-1267B	
	<input type="checkbox"/> REINFORCING CORRECT.	BASE SECTION JOINT: N/A	PC: A. CHAMBERS	DRAWING: J. COPPAGE
<input type="checkbox"/> FINISH ON SLAB SURFACE UNIFORM.	QC CHECK INITIALS:	DATE: 9/18/25	SCALE: NTS	PG. 1 of 1
<input type="checkbox"/> OUTSIDE TOP EDGE TROWELLED.				
<input type="checkbox"/> FLAT BOTTOM.				