

**Structure ID: CB-A3.1**

**P1 MH048BAVF**

**MH BASE Custom Ht**

P2) 48" - MH FLAT TOP SPEC. HT. (6") - 6" P1) 48" - MH BASE Custom Ht - 41" 1) 48" - SGL 1"x14.5' Butyl (2x) 1) Hole - 24 4) Horiz Slot - 30"x6" 3) MH Step ML-10-TDS-NCR - 10"	1102 lb 3675 lb 0 lb 0 lb 0 lb 0 lb ----- Structure Total: 4778 lb
--	---

**Structure Notes:**

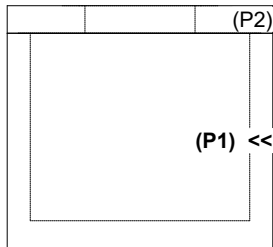
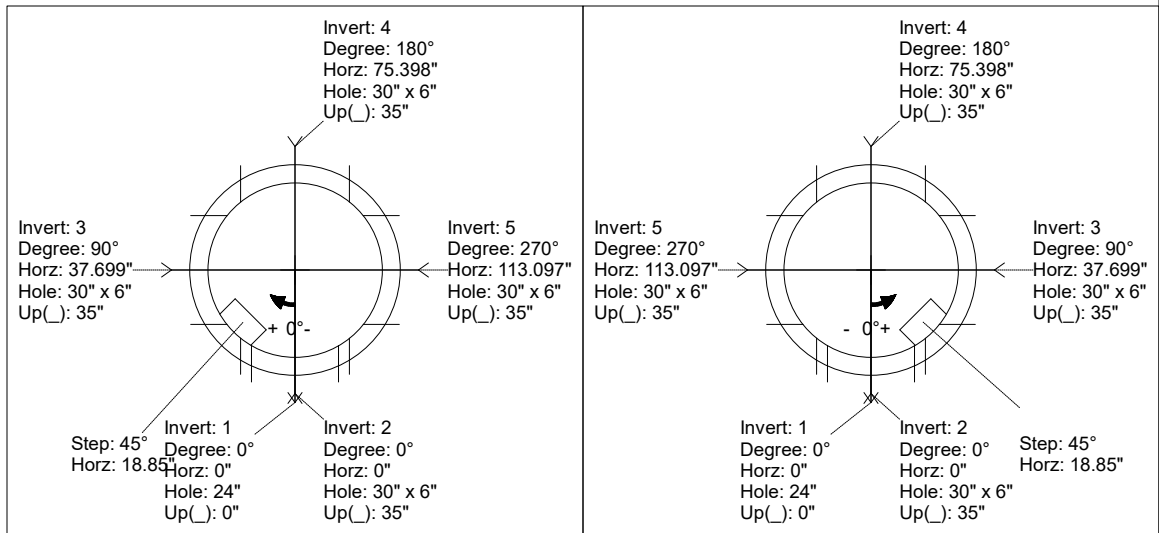
1. JR HOE MCS-288 STORM PROVIDED BY ICAST.
2. PER ASTM C478 SPECIFICATIONS.
3. CONCRETE = 4,000 PSI AT 28 DAYS.
4. REINFORCING PER ASTM A615 (GRADE 60).  
 - TOP SLAB (As .62) #5 BARS AT 6" C.C.E.W..  
 - RISER/WALLS (As .12)  
 - FLOOR (As .31) #5 BARS AT 12" C.C.E.W.
5. CASTING FRAME TO BE CAST INTO THE TOP SLAB.

Rim: 402.9'    Rim to Invert: 3.83'    Slack: 0.56"    Sump: 1.6"    Step Position: 45°

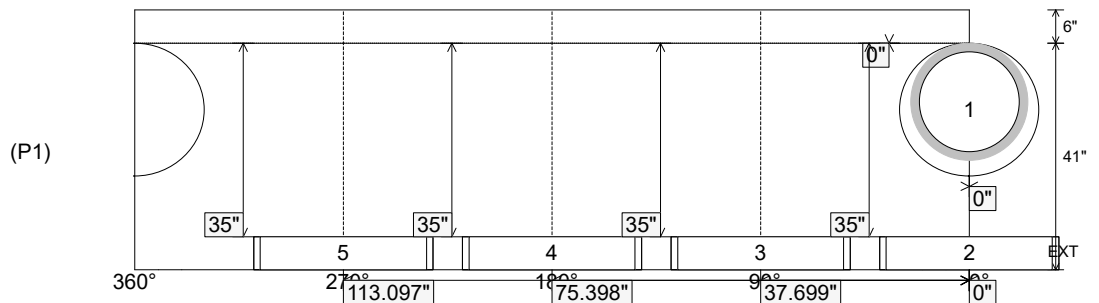
Position	Elev	Angle	Ext. (cw)	Pipe	Pipe OD	Connector	Hole	Horz Size	Up ( )	Offset
Invert 1	399.07'	0°	0"	18" HDPE	21.2"	Hole 24	24"	25.133"	0"	0"
Invert 2	401.853'	0°	0"	30" x 6" Horiz Slot	30" x 6"	Horiz Slot 30"x6"	30" x 6"	32.406"	35"	0"
Invert 3	401.853'	90°	45.553"	30" x 6" Horiz Slot	30" x 6"	Horiz Slot 30"x6"	30" x 6"	32.406"	35"	0"
Invert 4	401.853'	180°	91.106"	30" x 6" Horiz Slot	30" x 6"	Horiz Slot 30"x6"	30" x 6"	32.406"	35"	0"
Invert 5	401.853'	270°	136.659"	30" x 6" Horiz Slot	30" x 6"	Horiz Slot 30"x6"	30" x 6"	32.406"	35"	0"
Invert 6										
Invert 7										
Invert 8										

RIGHT-SIDE UP VIEW (int. dimensions)

UPSIDE-DOWN VIEW (int. dimensions)



INSIDE WALL DIMENSIONS



Coating (Int): Coating (Ext):	Seam Up: Flat Seam Dn: n/a	Wall Thickness: 5" Floor Height: 6"	Height (Int): 41" Height (Ext): 47"	Weight (Net): 3675 lb Volume (Net): 0.94cu.yd
----------------------------------	-------------------------------	--	--	--