

Job Name: 25-1233 Southwire Co. East Expansion
Job Location: Hawesville, KY 42348
Contractor: Hodskins Services

PC: A. Chambers
 TECH: J. Horsley
 Plant: Beaver Dam



Structure ID: **SAN. MH A-6 (48in) LN.A 17+76**

Spec: Sanitary Rim: 404.84'
 Type: SAN.MH Invert: 399.84'
 Size: 48" Rim to Invert: 5'

Sump: 2"
 Floor (Top): 399.673'
 Floor Height: 6"

Overall Height: 5.583'
 Slack: 1"

Structure Notes:

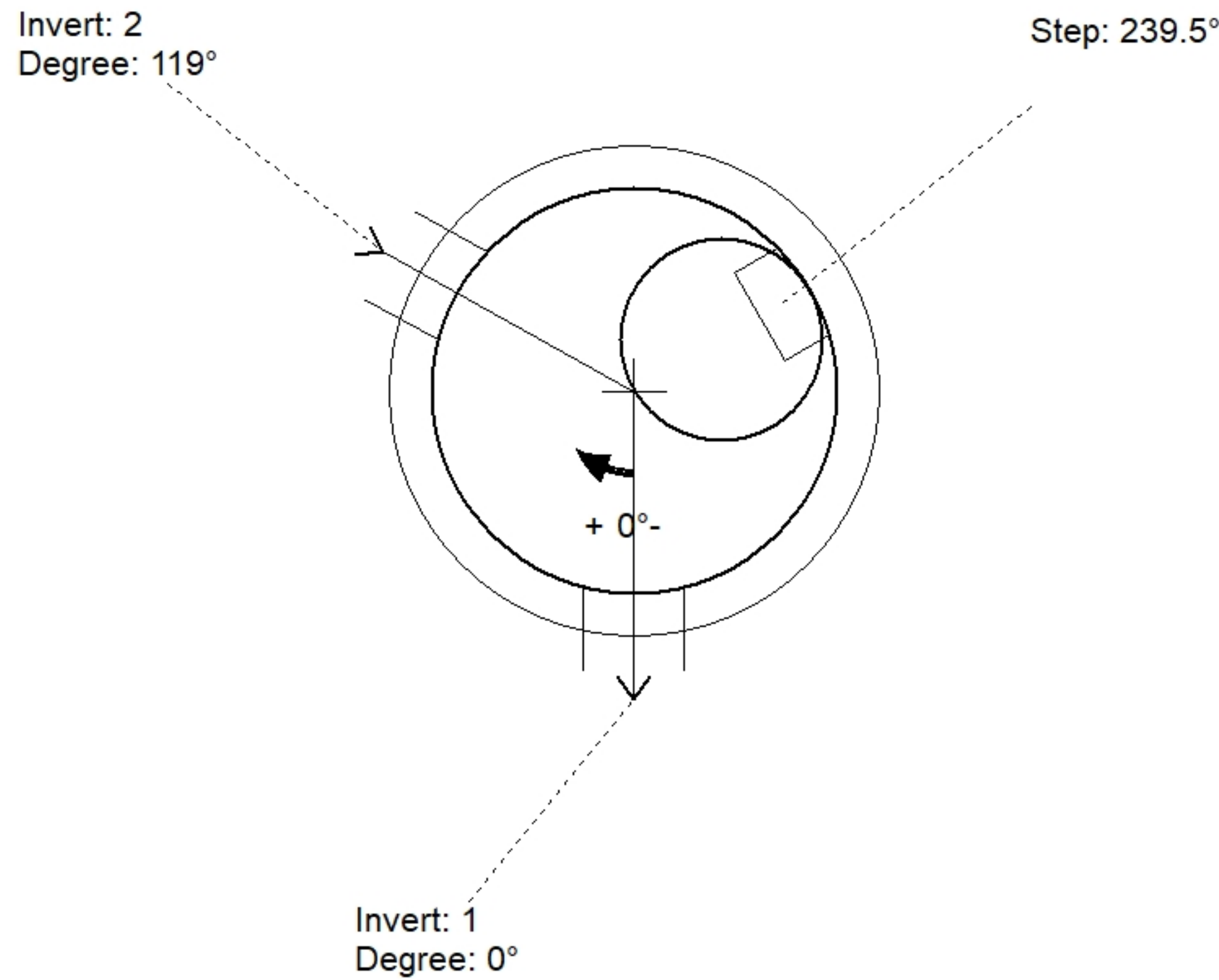
1. PER ASTM C478 SPECIFICATIONS.
2. CONCRETE = 4,000 PSI AT 28 DAYS.
3. CASTING (HOE MC-315) SHIPPED LOOSE.

REINFORCING PER ASTM A615 (GRADE 60).
 - CONE (As .12)
 - RISER (As .12)
 - FLOOR (As .31) #5 BARS AT 12" C.C.E.W.

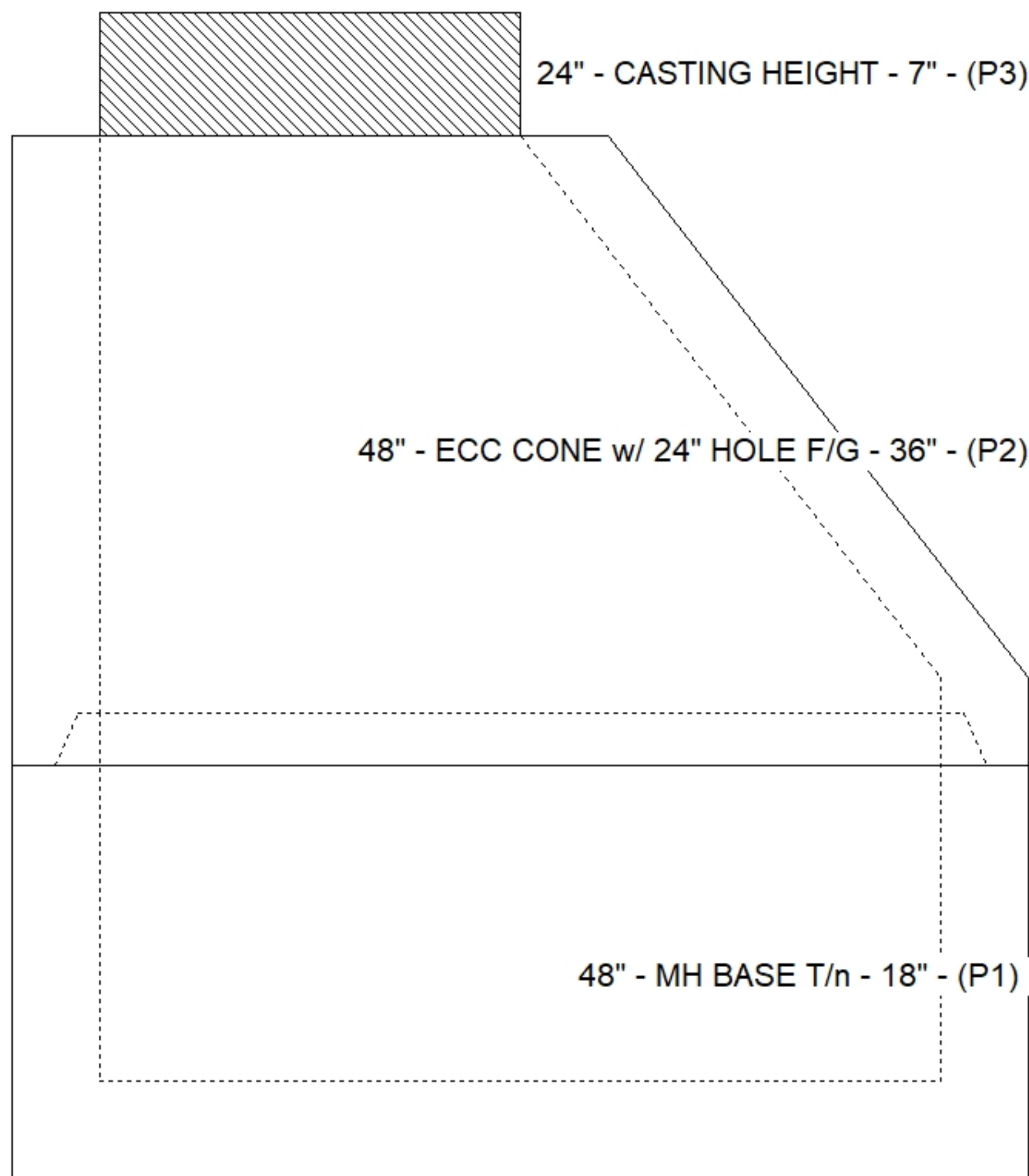
STRUCTURE SUMMARY:

- P3) 24" - CASTING HEIGHT - 7" 0 lb
- P2) 48" - ECC CONE w/ 24" HOLE F/G - 36" 3000 lb
- P1) 48" - MH BASE T/n - 18" 2492 lb
- 1) JOINT WRAP - 0.065"x6"x50' CONSEAL CS212 0 lb
- 1) JOINT WRAP PRIMER - CONSEAL CS-75 (1 gal.) 0 lb
- 1) 48" - SAN. INV. CHANNEL - FULL HEIGHT 1440 lb
- 1) CASTING - HOE MC-315 F/C Sanitary* 258 lb
- 1) 48" - DBL 1"x14.5' Butyl (2x) 0 lb
- 2) PSX - 12-08 NYLO 16 lb
- 4) MH Step ML-10-TDS-NCR - 10" 0 lb

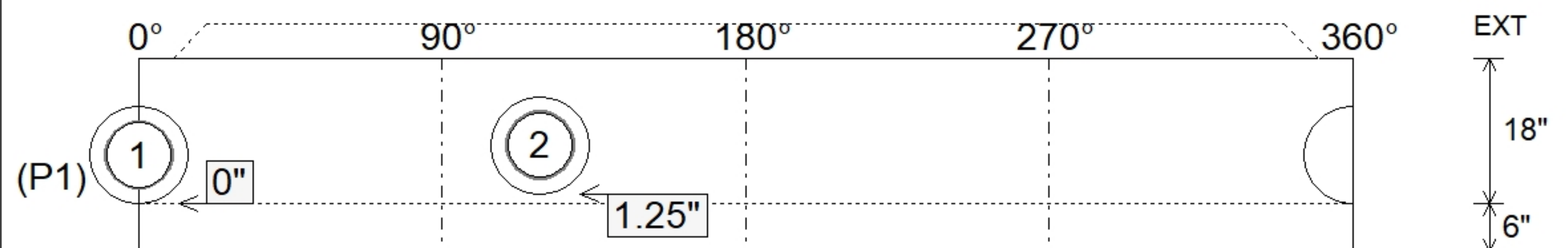
Structure Total: 7206 lb



Position	Elev	Angle	Ext. (cw)	Pipe	Hole	Connector	Up ()	Ref
Rim	404.84'							
Reducer								
Invert 1	399.84'	0°	0"	8" PVC SDR35	12"	PSX 12-08 NYLO	0"	P1
Invert 2	399.94'	119°	60.25"	8" PVC SDR35	12"	PSX 12-08 NYLO	1.25"	P1
Invert 3								
Invert 4								
Invert 5								
Invert 6								
Invert 7								
Invert 8								



Cast (Int. Dim.) - Interior Dimensions



Submittal Drawing
 6/5/2025 10:19:52 AM

SUBMITTAL
 APPROVED BY: