

**Structure ID: SAN. MH A-6 (48in) LN.A 17+76**

**P1 MH048BA18 MH BASE T/n**

P3) 24" - CASTING HEIGHT - 7" P2) 48" - ECC CONE w/ 24" HOLE F/G - 36" P1) 48" - MH BASE T/n - 18" 1) JOINT WRAP - 0.065"x6"x50' CONSEAL CS212 1) JOINT WRAP PRIMER - CONSEAL CS-75 (1 gal.) 1) 48" - SAN. INV. CHANNEL - FULL HEIGHT 1) CASTING - HOE MC-315 F/C Sanitary* 1) 48" - DBL 1"x14.5' Butyl (2x) 2) PSX - 12-08 NYLO 4) MH Step ML-10-TDS-NCR - 10"	0 lb 3000 lb 2492 lb 0 lb 0 lb 1440 lb 258 lb 0 lb 16 lb 0 lb ----- Structure Total: 7206 lb
--	---

Structure Notes:  
 1. PER ASTM C478 SPECIFICATIONS.  
 2. CONCRETE = 4,000 PSI AT 28 DAYS.  
 3. CASTING (HOE MC-315) SHIPPED LOOSE.

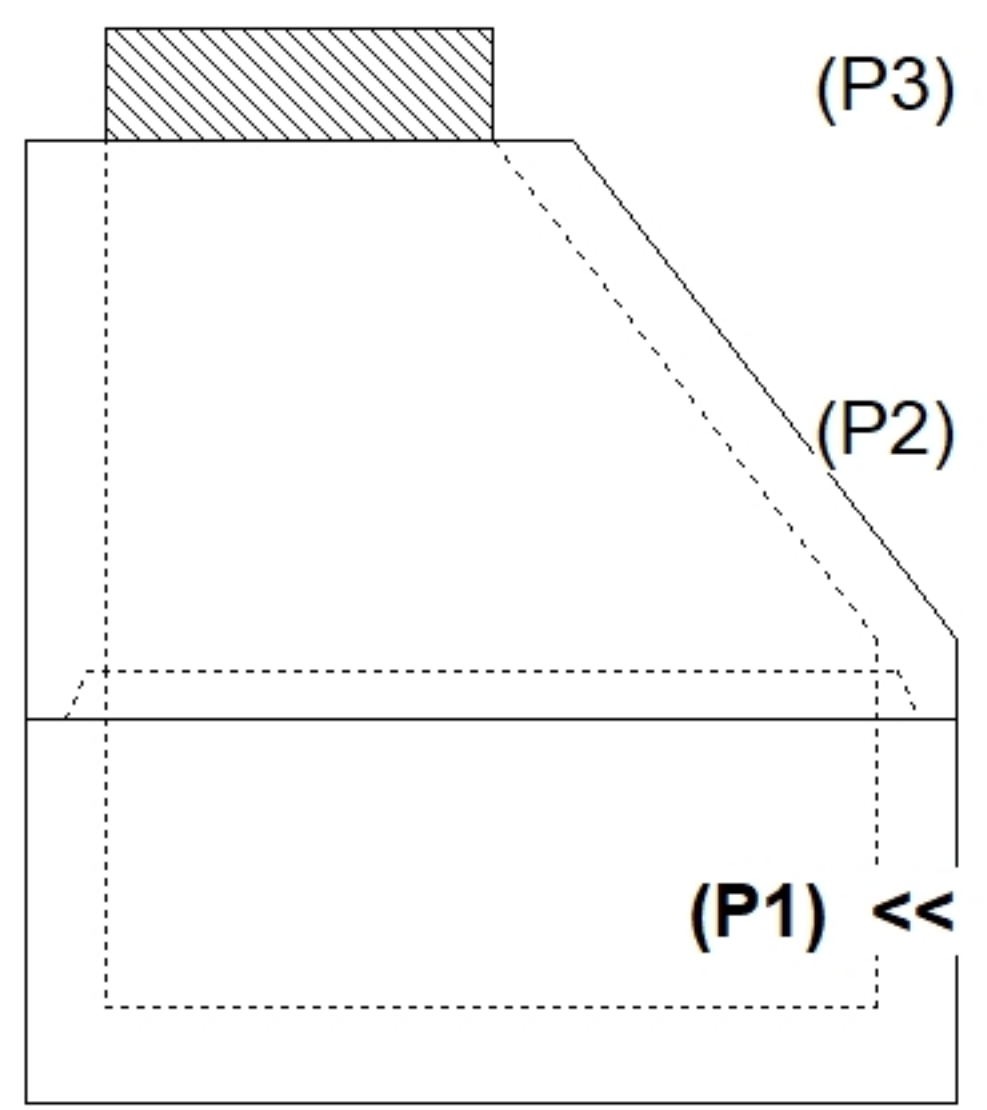
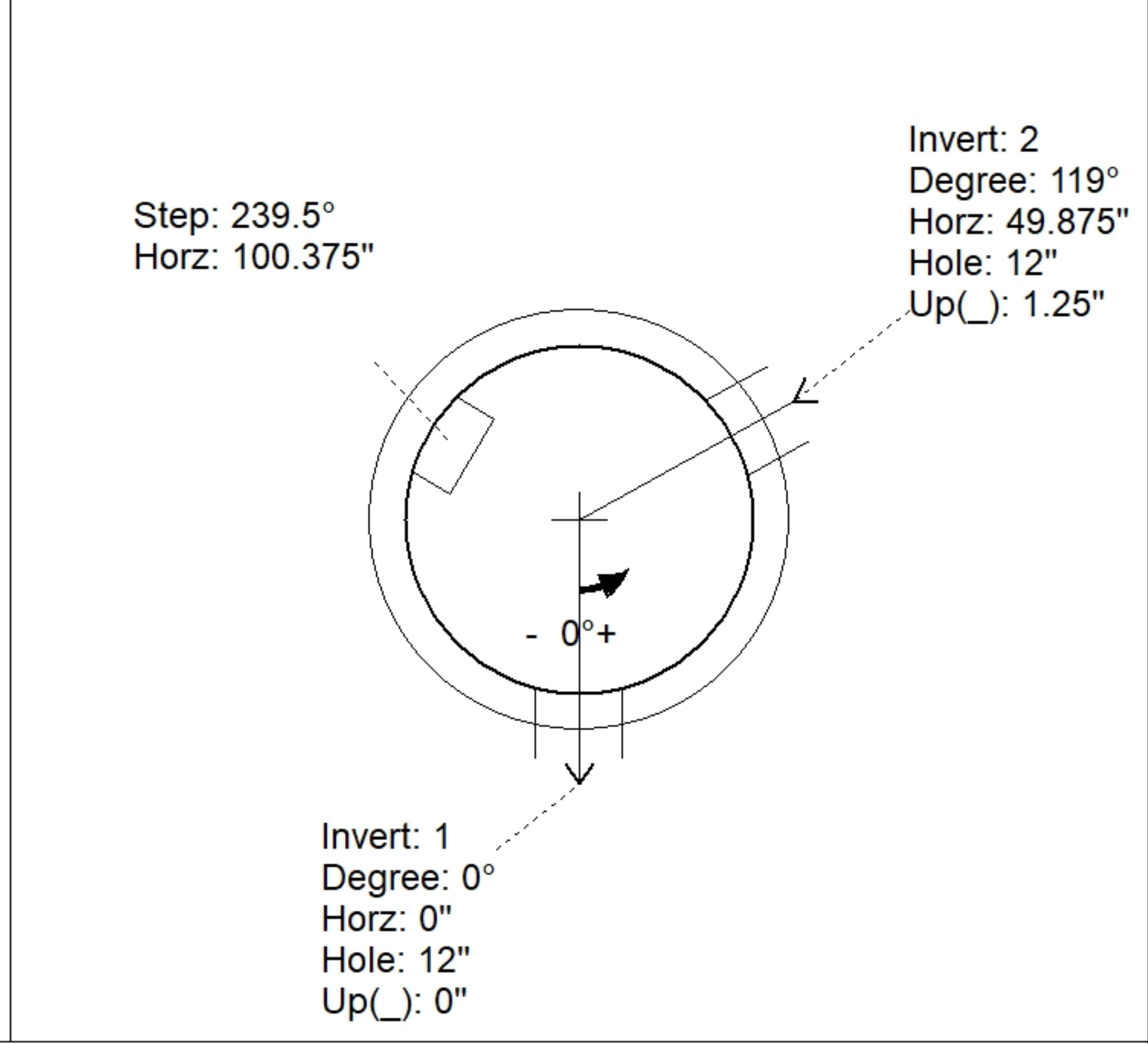
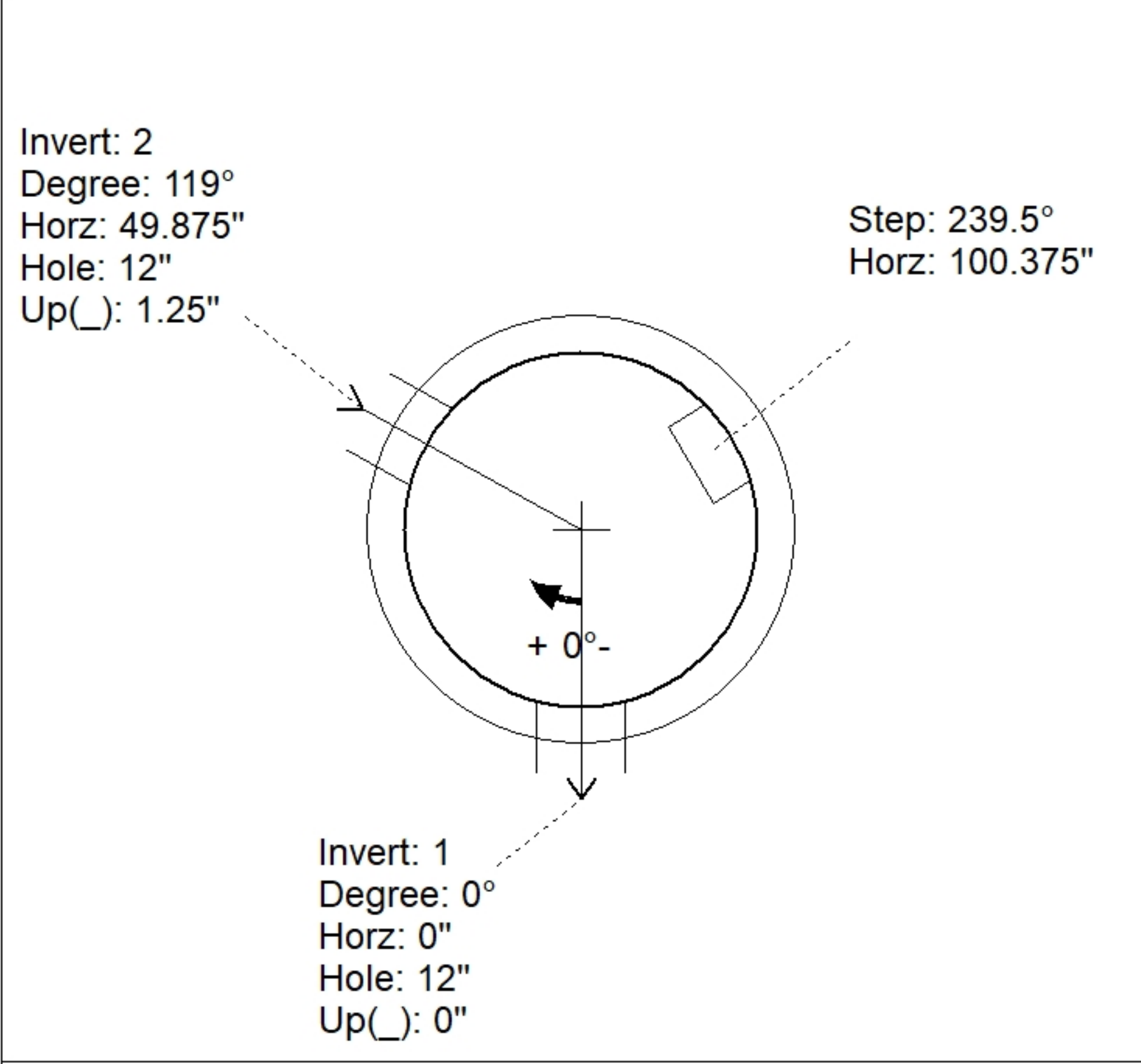
REINFORCING PER ASTM A615 (GRADE 60).  
 - CONE (As .12)  
 - RISER (As .12)  
 - FLOOR (As .31) #5 BARS AT 12" C.C.E.W.

Rim: 404.84'    Rim to Invert: 5'    Slack: 1"    Sump: 2"    Step Position: 239.5°

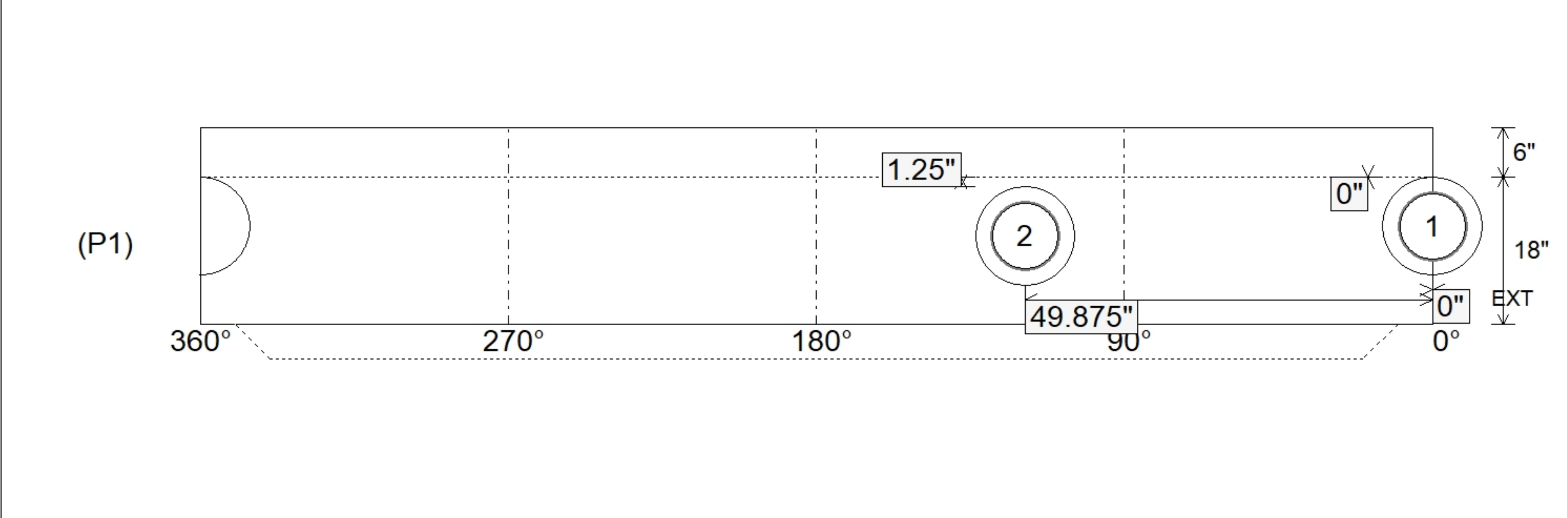
Position	Elev	Angle	Ext. (cw)	Pipe	Pipe OD	Connector	Hole	Horz Size	Up ( )	Offset
Invert 1	399.84'	0°	0"	8" PVC SDR35	8.5"	PSX 12-08 NYLO	12"	12.129"	0"	0"
Invert 2	399.94'	119°	60.25"	8" PVC SDR35	8.5"	PSX 12-08 NYLO	12"	12.129"	1.25"	0"
Invert 3										
Invert 4										
Invert 5										
Invert 6										
Invert 7										
Invert 8										

RIGHT-SIDE UP VIEW (int. dimensions)

UPSIDE-DOWN VIEW (int. dimensions)



INSIDE WALL DIMENSIONS



Coating (Int): Coating (Ext):	Seam Up: Tongue Seam Dn: n/a	Wall Thickness: 5" Floor Height: 6"	Height (Int): 18" Height (Ext): 24"	Weight (Net): 2492 lb Volume (Net): 0.64cu.yd
----------------------------------	---------------------------------	--	--	--