

Job Name: 25-1233 Southwire Co. East Expansion
Job Location: Hawesville, KY 42348
Contractor: Hodskins Services

PC: A. Chambers
 TECH: J. Horsley
 Plant: Beaver Dam



Structure ID: **SAN. MH A-5 (48in) LN.A 13+89**
 Spec: Sanitary Rim: 406.82' Sump: 2" Overall Height: 9.083'
 Type: SAN.MH Invert: 398.2' Floor (Top): 398.033' Slack: 2.44"
 Size: 48" Rim to Invert: 8.62' Floor Height: 6"

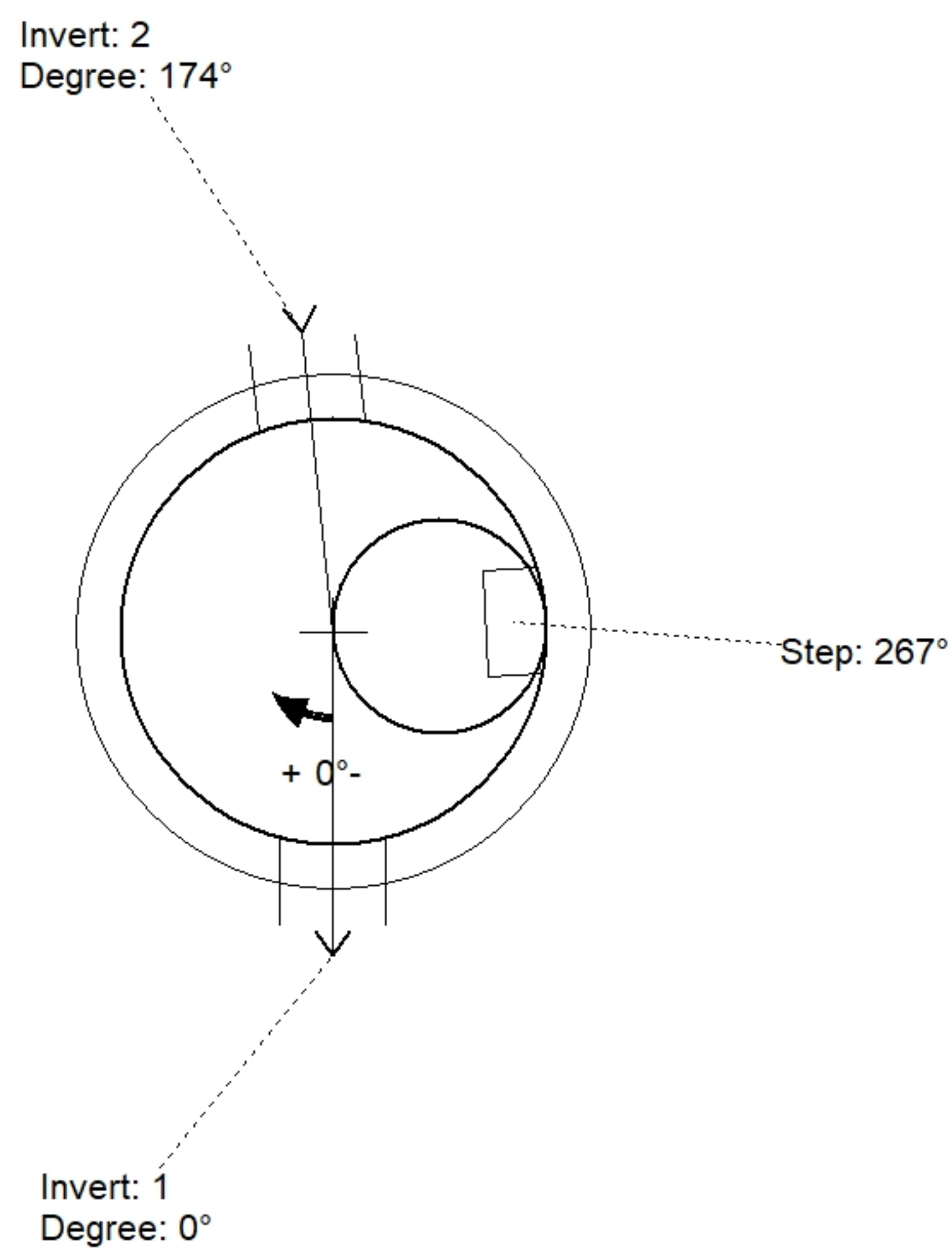
Structure Notes:

- PER ASTM C478 SPECIFICATIONS.
- CONCRETE = 4,000 PSI AT 28 DAYS.
- CASTING (HOE MC-315) SHIPPED LOOSE.

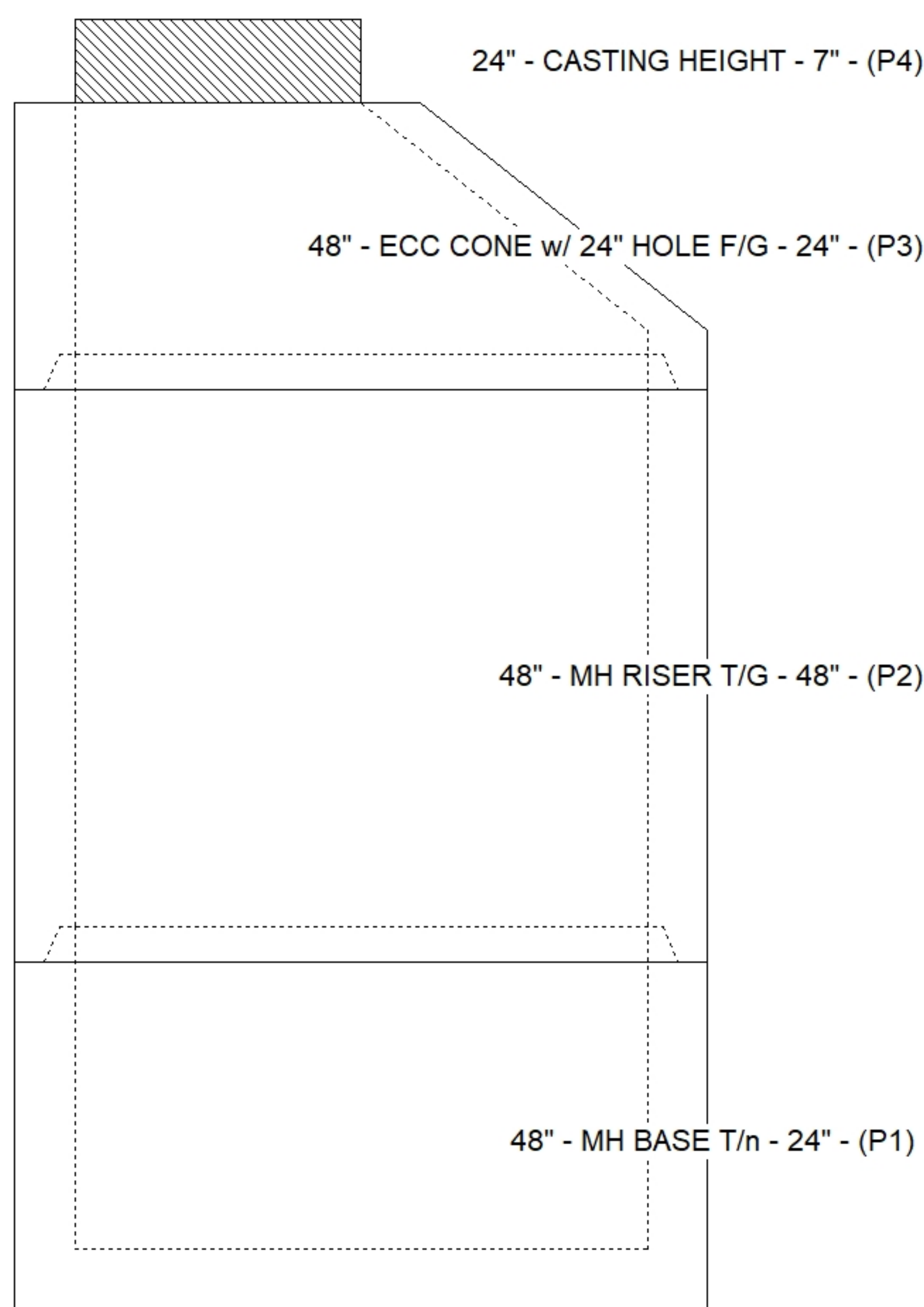
REINFORCING PER ASTM A615 (GRADE 60).
 - CONE (As .12)
 - RISER (As .12)
 - FLOOR (As .31) #5 BARS AT 12" C.C.E.W.

STRUCTURE SUMMARY:

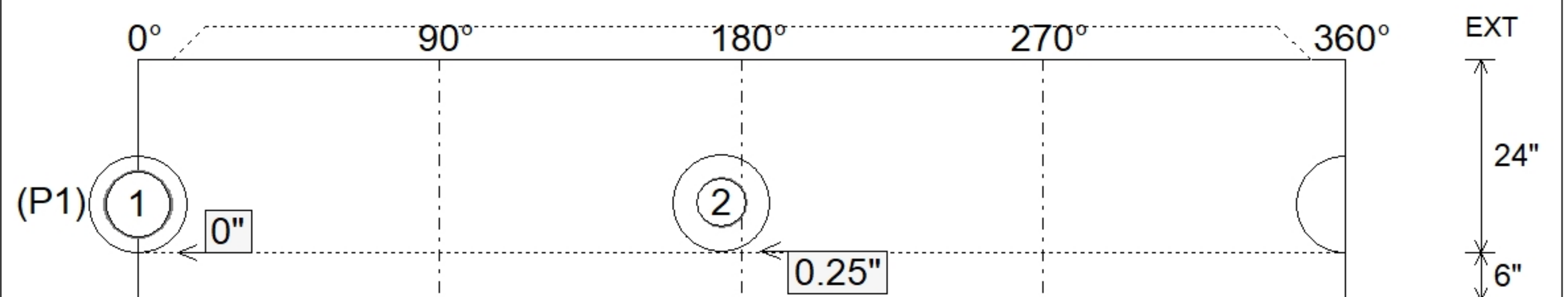
| | |
|---|----------------|
| P4) 24" - CASTING HEIGHT - 7" | 0 lb |
| P3) 48" - ECC CONE w/ 24" HOLE F/G - 24" | 1550 lb |
| P2) 48" - MH RISER T/G - 48" | 3353 lb |
| P1) 48" - MH BASE T/n - 24" | 2911 lb |
| 1) JOINT WRAP - 0.065"x6"x50' CONSEAL CS212 | 0 lb |
| 1) JOINT WRAP PRIMER - CONSEAL CS-75 (1 gal.) | 0 lb |
| 1) 48" - SAN. INV. CHANNEL - FULL HEIGHT | 1440 lb |
| 1) CASTING - HOE MC-315 F/C Sanitary | 258 lb |
| 2) 48" - DBL 1"x14.5' Butyl (2x) | 0 lb |
| 1) PSX - 12-08 NYLO | 8 lb |
| 1) PSX - 12-06 NYLO | 8 lb |
| 8) MH Step ML-10-TDS-NCR - 10" | 0 lb |
| Structure Total: | 9528 lb |



| Position | Elev | Angle | Ext. (cw) | Pipe | Hole | Connector | Up () | Ref |
|----------|---------|-------|-----------|--------------|------|----------------|--------|-----|
| Rim | 406.82' | | | | | | | |
| Reducer | | | | | | | | |
| Invert 1 | 398.2' | 0° | 0" | 8" PVC SDR35 | 12" | PSX 12-08 NYLO | 0" | P1 |
| Invert 2 | 398.3' | 174° | 88.125" | 6" PVC SDR35 | 12" | PSX 12-06 NYLO | 0.25" | P1 |
| Invert 3 | | | | | | | | |
| Invert 4 | | | | | | | | |
| Invert 5 | | | | | | | | |
| Invert 6 | | | | | | | | |
| Invert 7 | | | | | | | | |
| Invert 8 | | | | | | | | |



Cast (Int. Dim.) - Interior Dimensions



Submittal Drawing
 6/5/2025 10:19:52 AM

SUBMITTAL
 APPROVED BY: