

Job Name: 25-1233 Southwire Co. East Expansion
Job Location: Hawesville, KY 42348
Contractor: Hodskins Services

PC: A. Chambers
 TECH: J. Horsley
 Plant: Beaver Dam



Structure ID: **SAN. MH A-4 (48in) LN.A 12+72**

Spec: Sanitary
 Type: SAN.MH
 Size: 48"
 Rim: 407.32'
 Invert: 397.64'
 Rim to Invert: 9.68'

Sump: 2"
 Floor (Top): 397.473'
 Floor Height: 6"

Overall Height: 10.333'
 Slack: 0.16"

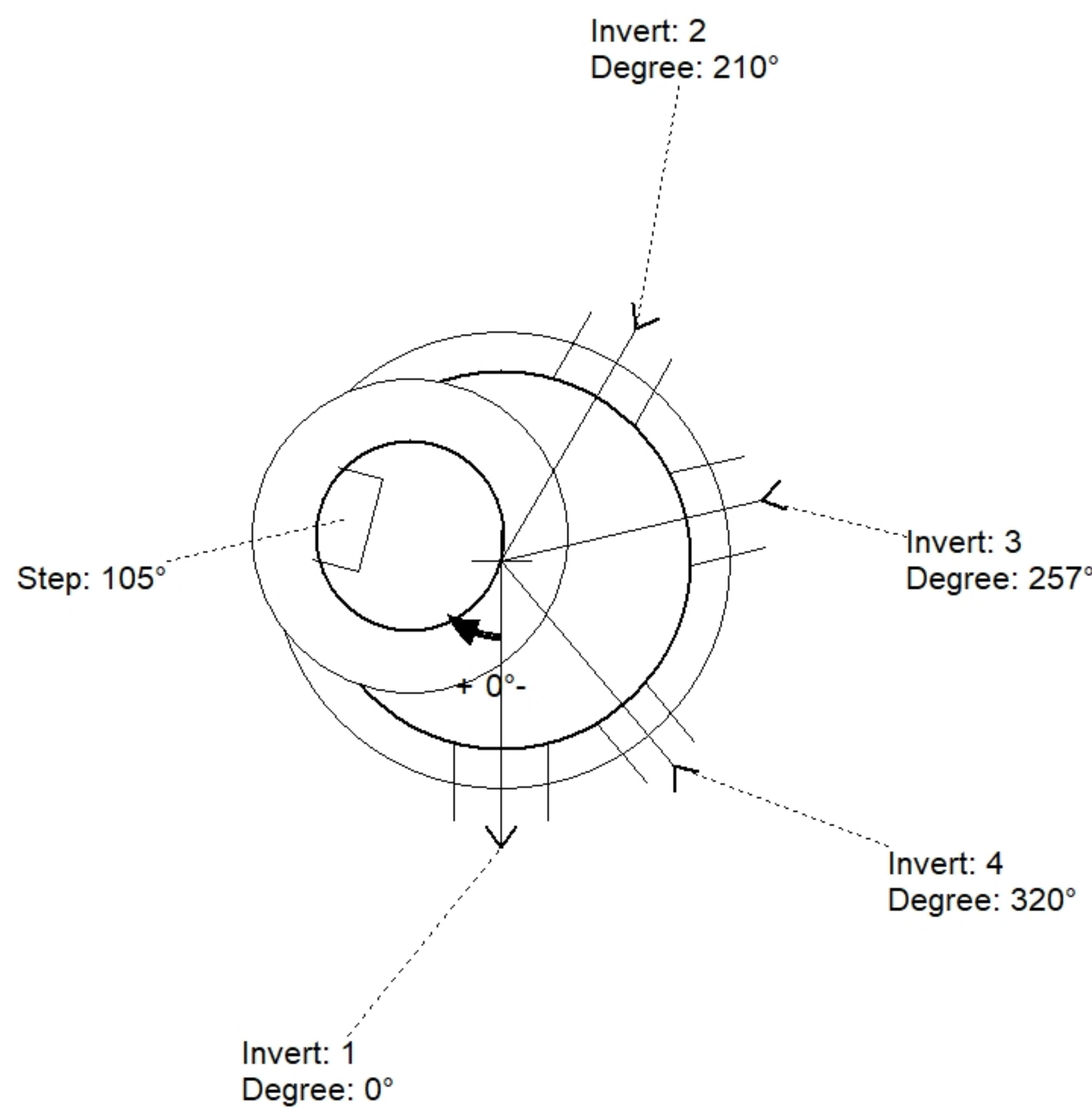
Structure Notes:

1. PER ASTM C478 SPECIFICATIONS.
2. CONCRETE = 4,000 PSI AT 28 DAYS.
3. CASTING (HOE MC-315) SHIPPED LOOSE.

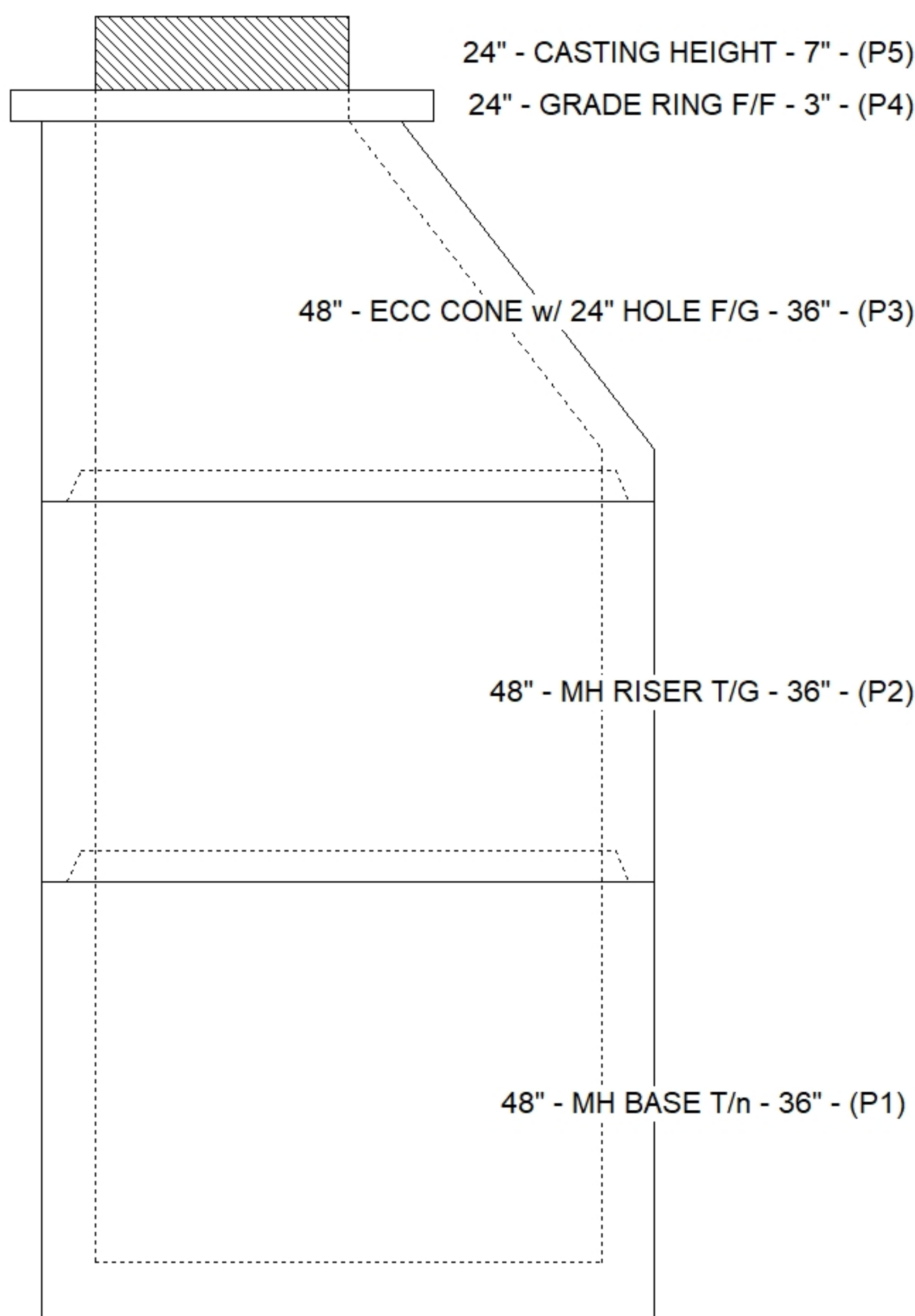
REINFORCING PER ASTM A615 (GRADE 60).
 - CONE (As .12)
 - RISER/WALLS (As .12)
 - FLOOR (As .31) #5 BARS AT 12" C.C.E.W.

STRUCTURE SUMMARY:

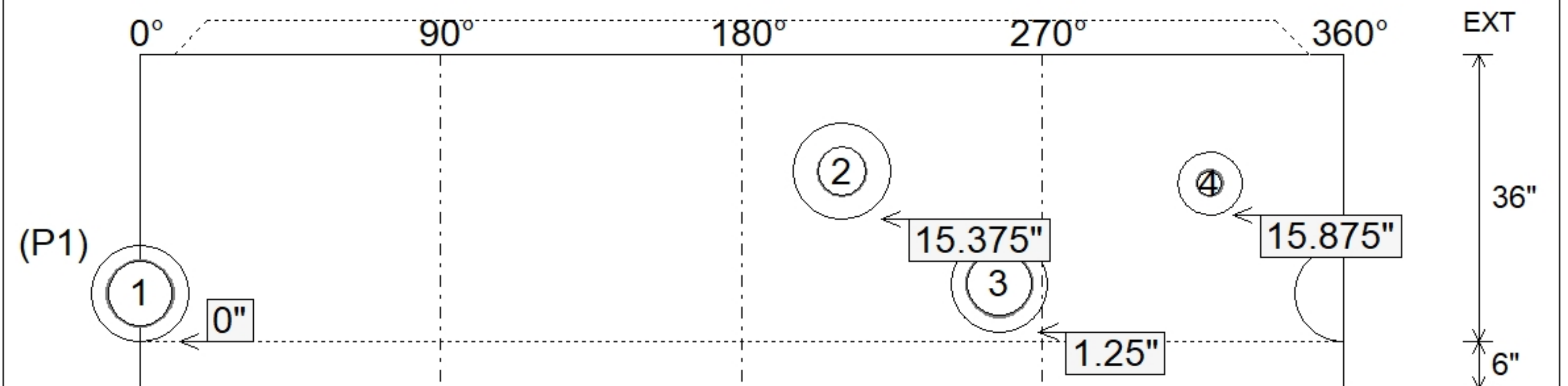
P5) 24" - CASTING HEIGHT - 7"	0 lb
P4) 24" - GRADE RING F/F - 3"	202 lb
P3) 48" - ECC CONE w/ 24" HOLE F/G - 36"	3000 lb
P2) 48" - MH RISER T/G - 36"	2515 lb
P1) 48" - MH BASE T/n - 36"	3680 lb
1) JOINT WRAP - 0.065"x6"x50' CONSEAL CS212	0 lb
1) JOINT WRAP PRIMER - CONSEAL CS-75 (1 gal.)	0 lb
1) 48" - SAN. INV. CHANNEL - FULL HEIGHT	1440 lb
1) CASTING - HOE MC-315 F/C Sanitary*	258 lb
2) 48" - DBL 1"x14.5' Butyl (2x)	0 lb
2) PSX - 12-08 NYLO	16 lb
1) PSX - 12-06 NYLO	8 lb
1) PSX - 8QRS-S NYLO	6 lb
8) MH Step ML-10-TDS-NCR - 10"	0 lb
Structure Total:	11126 lb



Position	Elev	Angle	Ext. (cw)	Pipe	Hole	Connector	Up ()	Ref
Rim	407.32'							
Reducer								
Invert 1	397.64'	0°	0"	8" PVC SDR35	12"	PSX 12-08 NYLO	0"	P1
Invert 2	399'	210°	106.25"	6" PVC SDR35	12"	PSX 12-06 NYLO	15.375"	P1
Invert 3	397.74'	257°	130.125"	8" PVC SDR35	12"	PSX 12-08 NYLO	1.25"	P1
Invert 4	399'	320°	162"	3" DI	8"	PSX 8QRS-S NYLO	15.875"	P1
Invert 5								
Invert 6								
Invert 7								
Invert 8								



Cast (Int. Dim.) - Interior Dimensions



Submittal Drawing
 6/5/2025 1:31:15 PM

SUBMITTAL
 APPROVED BY: