

| | | | |
|---------------------------------------------------------------------|---------------------|------------------|------------------------------------------------------------------------------------|
| Job Name: 25-1233 Southwire Co. East Expansion | Plant: Beaver Dam | Tech: J. Horsley |  |
| Job Location: Hawesville, KY 42348 Contractor: Hodskins Services | 6/5/2025 1:32:05 PM | PC: A. Chambers | |

Structure ID: SAN. MH A-4 (48in) LN.A 12+72

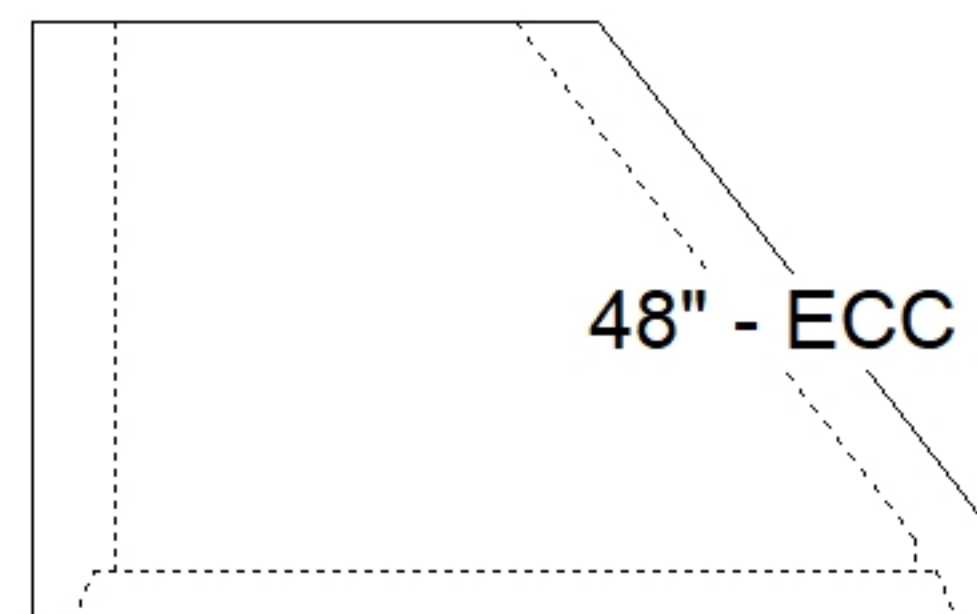
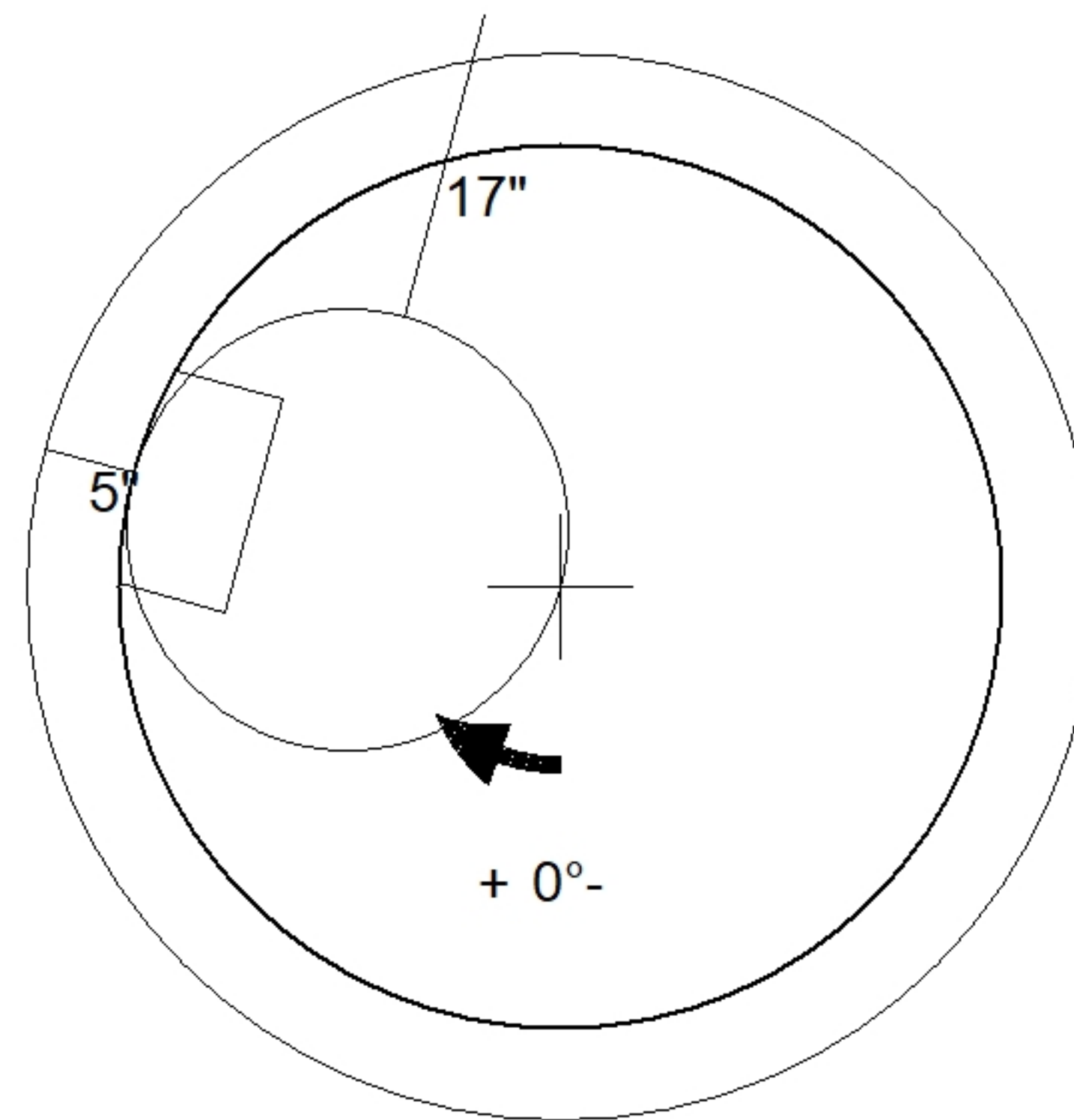
P3 MH048CN36

ECC CONE w/ 24" HOLE F/G

| | |
|-----------------------------------------------|-----------------|
| P5) 24" - CASTING HEIGHT - 7" | 0 lb |
| P4) 24" - GRADE RING F/F - 3" | 202 lb |
| P3) 48" - ECC CONE w/ 24" HOLE F/G - 36" | 3000 lb |
| P2) 48" - MH RISER T/G - 36" | 2515 lb |
| P1) 48" - MH BASE T/n - 36" | 3680 lb |
| 1) JOINT WRAP - 0.065"x6"x50' CONSEAL CS212 | 0 lb |
| 1) JOINT WRAP PRIMER - CONSEAL CS-75 (1 gal.) | 0 lb |
| 1) 48" - SAN. INV. CHANNEL - FULL HEIGHT | 1440 lb |
| 1) CASTING - HOE MC-315 F/C Sanitary* | 258 lb |
| 2) 48" - DBL 1"x14.5' Butyl (2x) | 0 lb |
| 2) PSX - 12-08 NYLO | 16 lb |
| 1) PSX - 12-06 NYLO | 8 lb |
| 1) PSX - 8QRS-S NYLO | 6 lb |
| 8) MH Step ML-10-TDS-NCR - 10" | 0 lb |
| Structure Total: | 11126 lb |

Structure Notes:
 1. PER ASTM C478 SPECIFICATIONS.
 2. CONCRETE = 4,000 PSI AT 28 DAYS.
 3. CASTING (HOE MC-315) SHIPPED LOOSE.

REINFORCING PER ASTM A615 (GRADE 60).
 - CONE (As .12)
 - RISER/WALLS (As .12)
 - FLOOR (As .31) #5 BARS AT 12" C.C.E.W.



48" - ECC CONE w/ 24" HOLE F/G - 36" - (P3)

| | | | | |
|----------------|-----------------|--------------------|-------------------|------------------------|
| Coating (Int): | Seam Up: Flat | Wall Thickness: 5" | Height (Ext): 36" | Weight (Net): 3000 lb |
| Coating (Ext): | Seam Dn: Groove | | | Volume (Net): 0.5cu.yd |