

Job Name: 25-1233 Southwire Co. East Expansion
 Job Location: Hawesville, KY 42348
 Contractor: Hodskins Services

Plant: Beaver Dam
 6/5/2025 1:31:45 PM

Tech: J. Horsley
 PC: A. Chambers



Structure ID: SAN. MH A-4 (48in) LN.A 12+72

P2 MH048RS36

MH RISER T/G

P5) 24" - CASTING HEIGHT - 7"	0 lb
P4) 24" - GRADE RING F/F - 3"	202 lb
P3) 48" - ECC CONE w/ 24" HOLE F/G - 36"	3000 lb
P2) 48" - MH RISER T/G - 36"	2515 lb
P1) 48" - MH BASE T/n - 36"	3680 lb
1) JOINT WRAP - 0.065"x6"x50' CONSEAL CS212	0 lb
1) JOINT WRAP PRIMER - CONSEAL CS-75 (1 gal.)	0 lb
1) 48" - SAN. INV. CHANNEL - FULL HEIGHT	1440 lb
1) CASTING - HOE MC-315 F/C Sanitary*	258 lb
2) 48" - DBL 1"x14.5' Butyl (2x)	0 lb
2) PSX - 12-08 NYLO	16 lb
1) PSX - 12-06 NYLO	8 lb
1) PSX - 8QRS-S NYLO	6 lb
8) MH Step ML-10-TDS-NCR - 10"	0 lb
Structure Total:	11126 lb

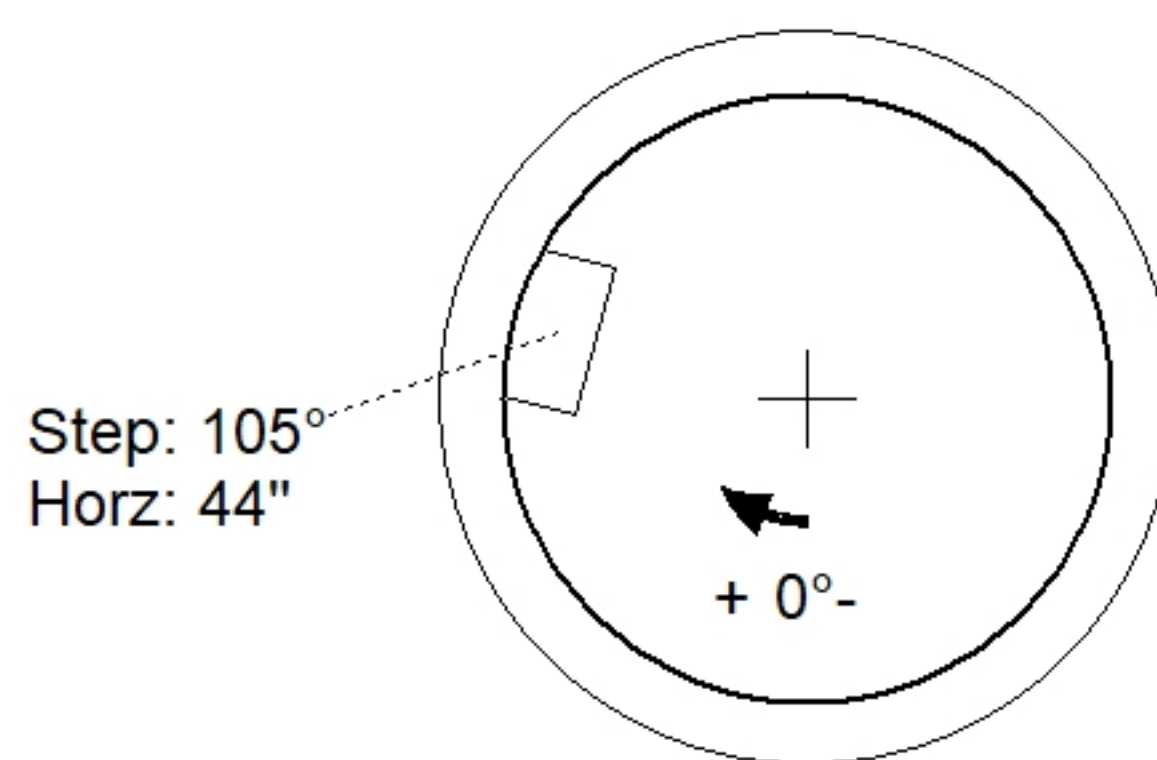
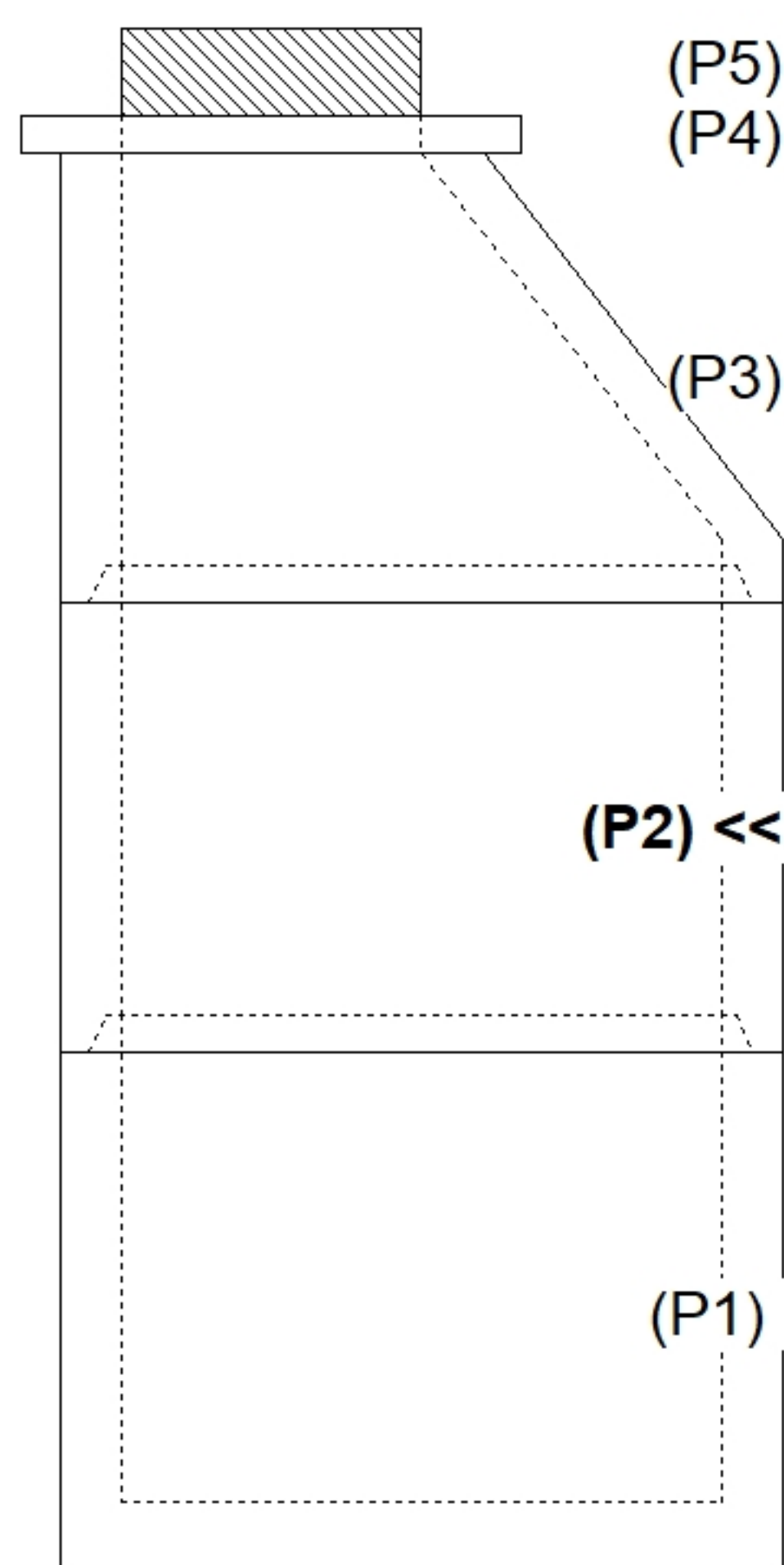
Structure Notes:
 1. PER ASTM C478 SPECIFICATIONS.
 2. CONCRETE = 4,000 PSI AT 28 DAYS.
 3. CASTING (HOE MC-315) SHIPPED LOOSE.

 REINFORCING PER ASTM A615 (GRADE 60).
 - CONE (As .12)
 - RISER/WALLS (As .12)
 - FLOOR (As .31) #5 BARS AT 12" C.C.E.W.

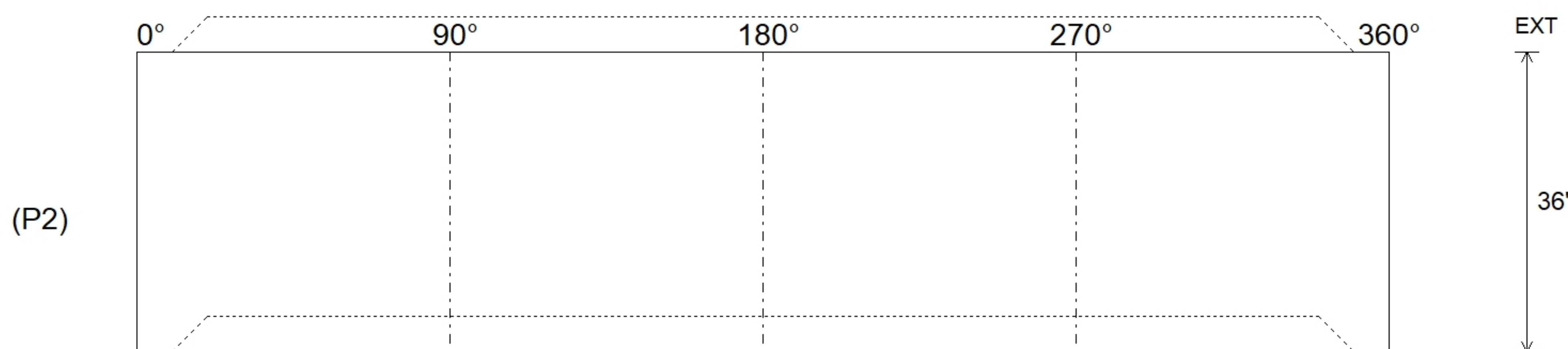
Rim: 407.32' Rim to Invert: 9.68' Slack: 0.16" Sump: 2" Step Position: 105°

Position	Elev	Angle	Ext. (cw)	Pipe	Pipe OD	Connector	Hole	Horz Size	Up (L)	Offset
Invert 1										
Invert 2										
Invert 3										
Invert 4										
Invert 5										
Invert 6										
Invert 7										
Invert 8										

RIGHT-SIDE UP VIEW (int. dimensions)



INSIDE WALL DIMENSIONS



Coating (Int):	Seam Up: Tongue	Wall Thickness: 5"	Height (Int): 36"	Weight (Net): 2515 lb
Coating (Ext):	Seam Dn: Groove	Floor Height: 0"	Height (Ext): 36"	Volume (Net): 0.64cu.yd