

**Structure ID: SAN. MH A-4 (48in) LN.A 12+72**

**P1 MH048BA36 MH BASE T/n**

P5) 24" - CASTING HEIGHT - 7" P4) 24" - GRADE RING F/F - 3" P3) 48" - ECC CONE w/ 24" HOLE F/G - 36" P2) 48" - MH RISER T/G - 36" P1) 48" - MH BASE T/n - 36" 1) JOINT WRAP - 0.065"x6"x50' CONSEAL CS212 1) JOINT WRAP PRIMER - CONSEAL CS-75 (1 gal.) 1) 48" - SAN. INV. CHANNEL - FULL HEIGHT 1) CASTING - HOE MC-315 F/C Sanitary* 2) 48" - DBL 1"x14.5' Butyl (2x) 2) PSX - 12-08 NYLO 1) PSX - 12-06 NYLO 1) PSX - 8QRS-S NYLO 8) MH Step ML-10-TDS-NCR - 10"	0 lb 202 lb 3000 lb 2515 lb 3680 lb 0 lb 0 lb 1440 lb 258 lb 0 lb 16 lb 8 lb 6 lb 0 lb <hr style="width: 50%; margin-left: auto; margin-right: 0;"/> Structure Total: 11126 lb
--	--

**Structure Notes:**

- PER ASTM C478 SPECIFICATIONS.
- CONCRETE = 4,000 PSI AT 28 DAYS.
- CASTING (HOE MC-315) SHIPPED LOOSE.

REINFORCING PER ASTM A615 (GRADE 60).

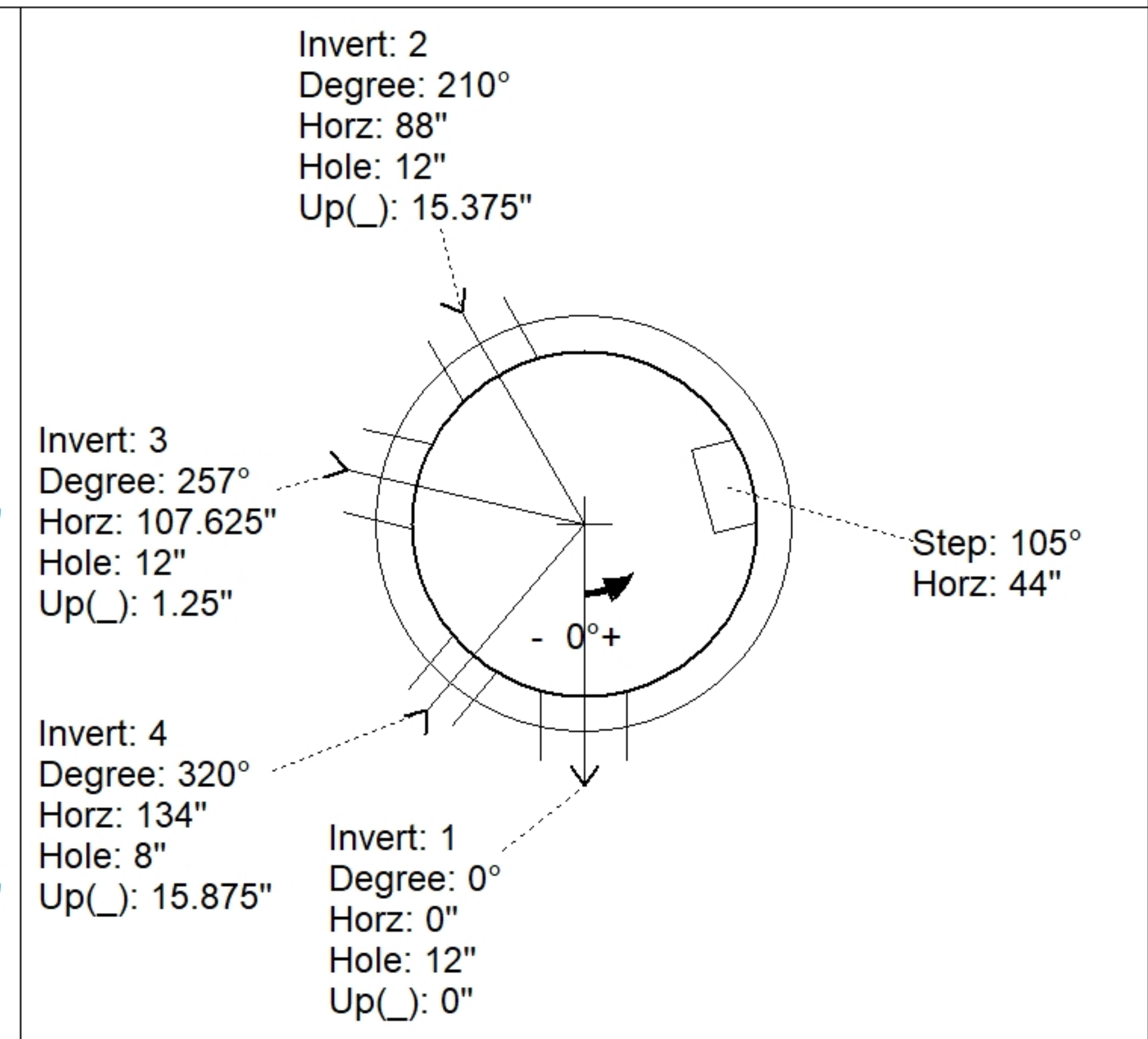
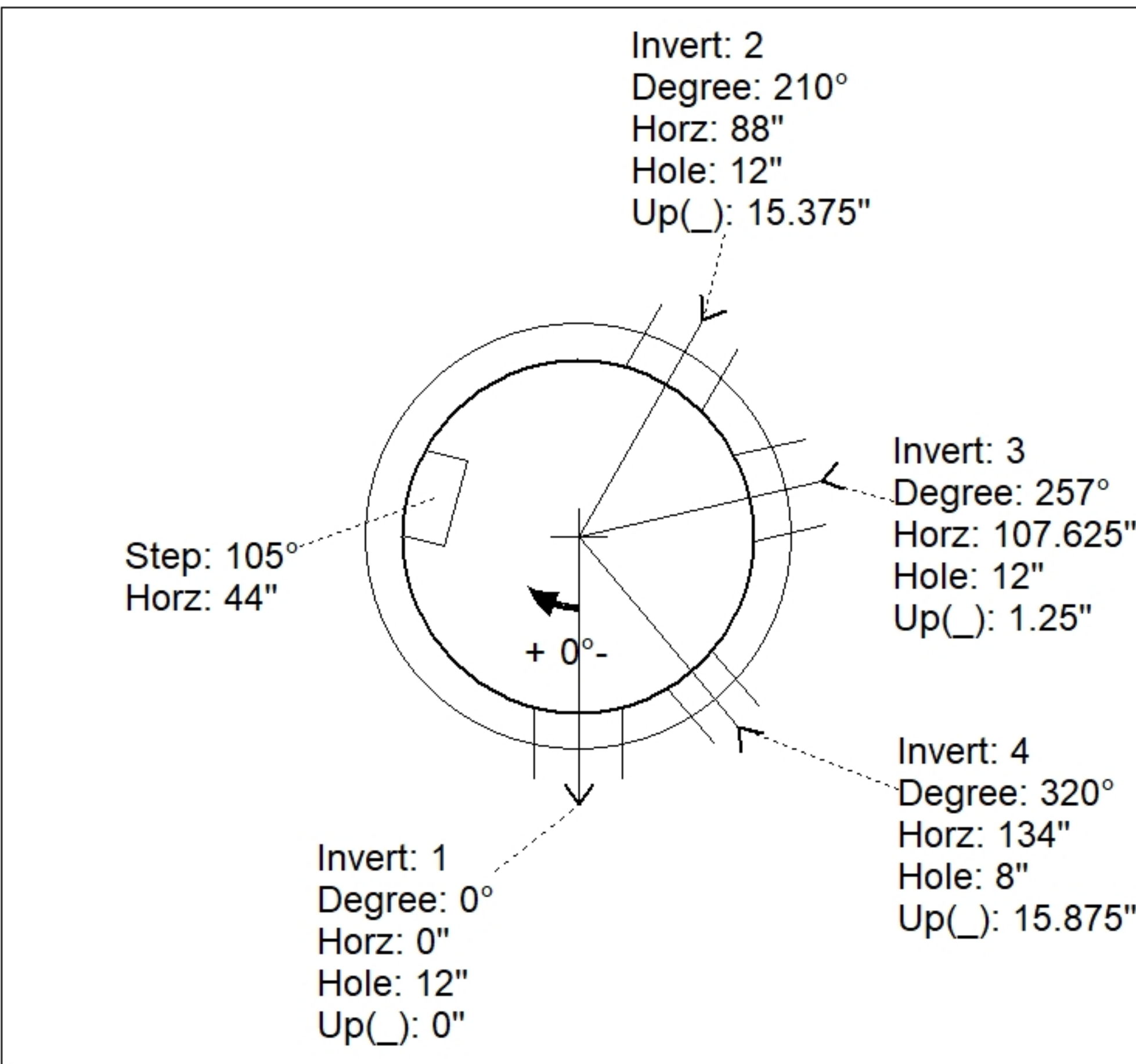
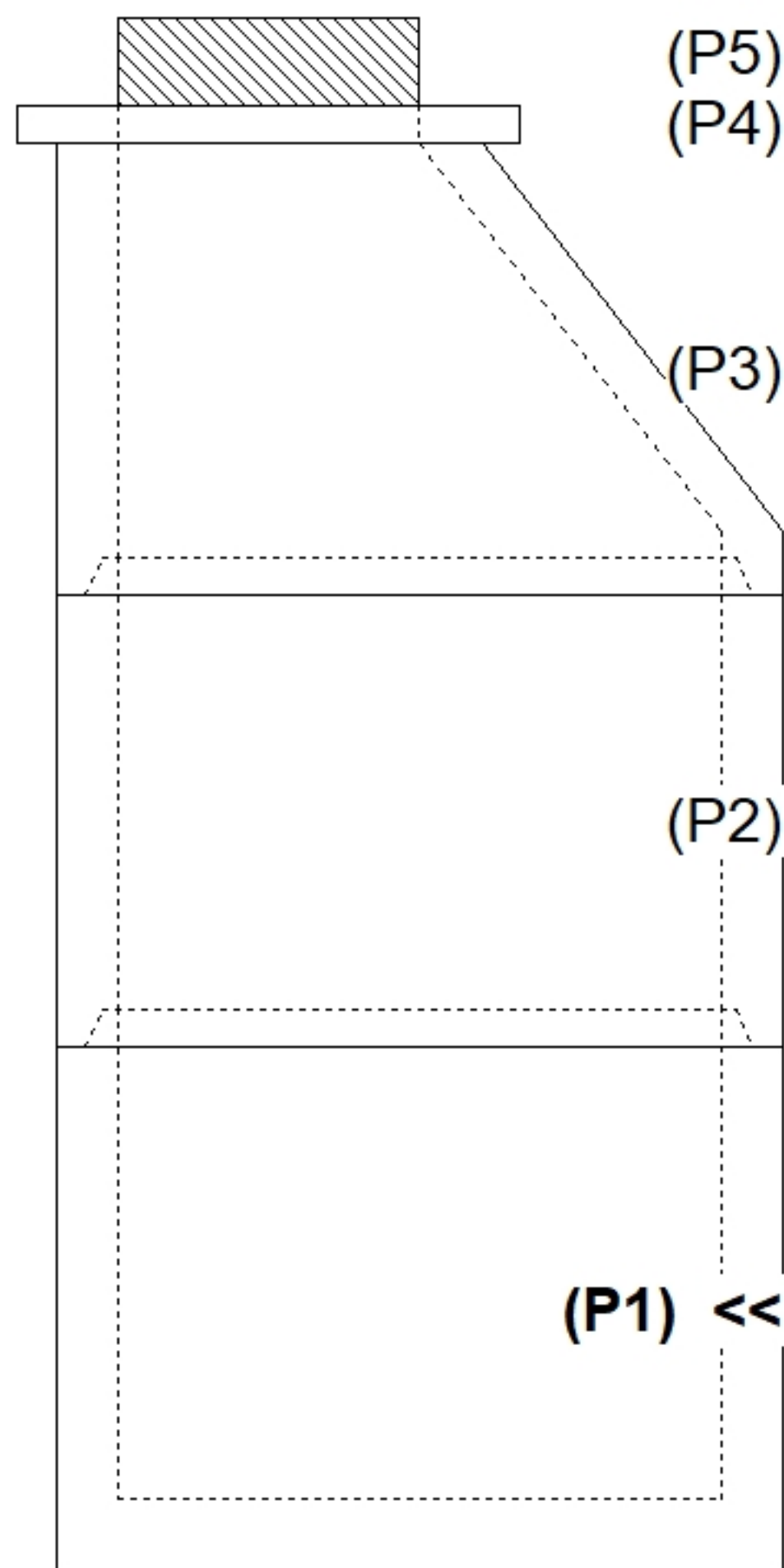
- CONE (As .12)
- RISER/WALLS (As .12)
- FLOOR (As .31) #5 BARS AT 12" C.C.E.W.

Rim: 407.32' Rim to Invert: 9.68' Slack: 0.16" Sump: 2" Step Position: 105°

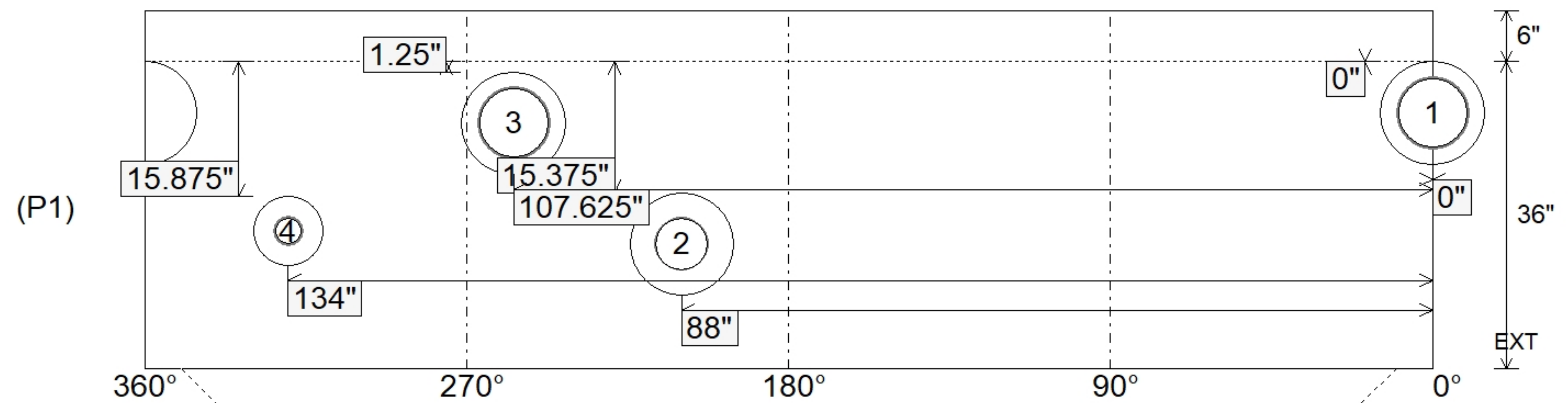
Position	Elev	Angle	Ext. (cw)	Pipe	Pipe OD	Connector	Hole	Horz Size	Up ( )	Offset
Invert 1	397.64'	0°	0"	8" PVC SDR35	8.5"	PSX 12-08 NYLO	12"	12.129"	0"	0"
Invert 2	399'	210°	106.25"	6" PVC SDR35	6.25"	PSX 12-06 NYLO	12"	12.129"	15.375"	0"
Invert 3	397.74'	257°	130.125"	8" PVC SDR35	8.5"	PSX 12-08 NYLO	12"	12.129"	1.25"	0"
Invert 4	399'	320°	162"	3" DI	3.5"	PSX 8QRS-S NYLO	8"	8.038"	15.875"	0"
Invert 5										
Invert 6										
Invert 7										
Invert 8										

RIGHT-SIDE UP VIEW (int. dimensions)

UPSIDE-DOWN VIEW (int. dimensions)



INSIDE WALL DIMENSIONS



Coating (Int): Coating (Ext):	Seam Up: Tongue Seam Dn: n/a	Wall Thickness: 5" Floor Height: 6"	Height (Int): 36" Height (Ext): 42"	Weight (Net): 3680 lb Volume (Net): 0.94cu.yd
----------------------------------	---------------------------------	--	--	--