

**Job Name: 25-1233 Southwire Co. East Expansion**  
**Job Location: Hawesville, KY 42348**  
**Contractor: Hodskins Services**

PC: A. Chambers  
 TECH: J. Horsley  
 Plant: Beaver Dam



Structure ID: **NEW SAN.MH (48in)**

Spec: Sanitary  
 Type: SAN.MH  
 Size: 48"

Rim: 404.85'  
 Invert: 398.92'  
 Rim to Invert: 5.93'

Sump: 2"  
 Floor (Top): 398.753'  
 Floor Height: 6"

Overall Height: 6.583'  
 Slack: 0.16"

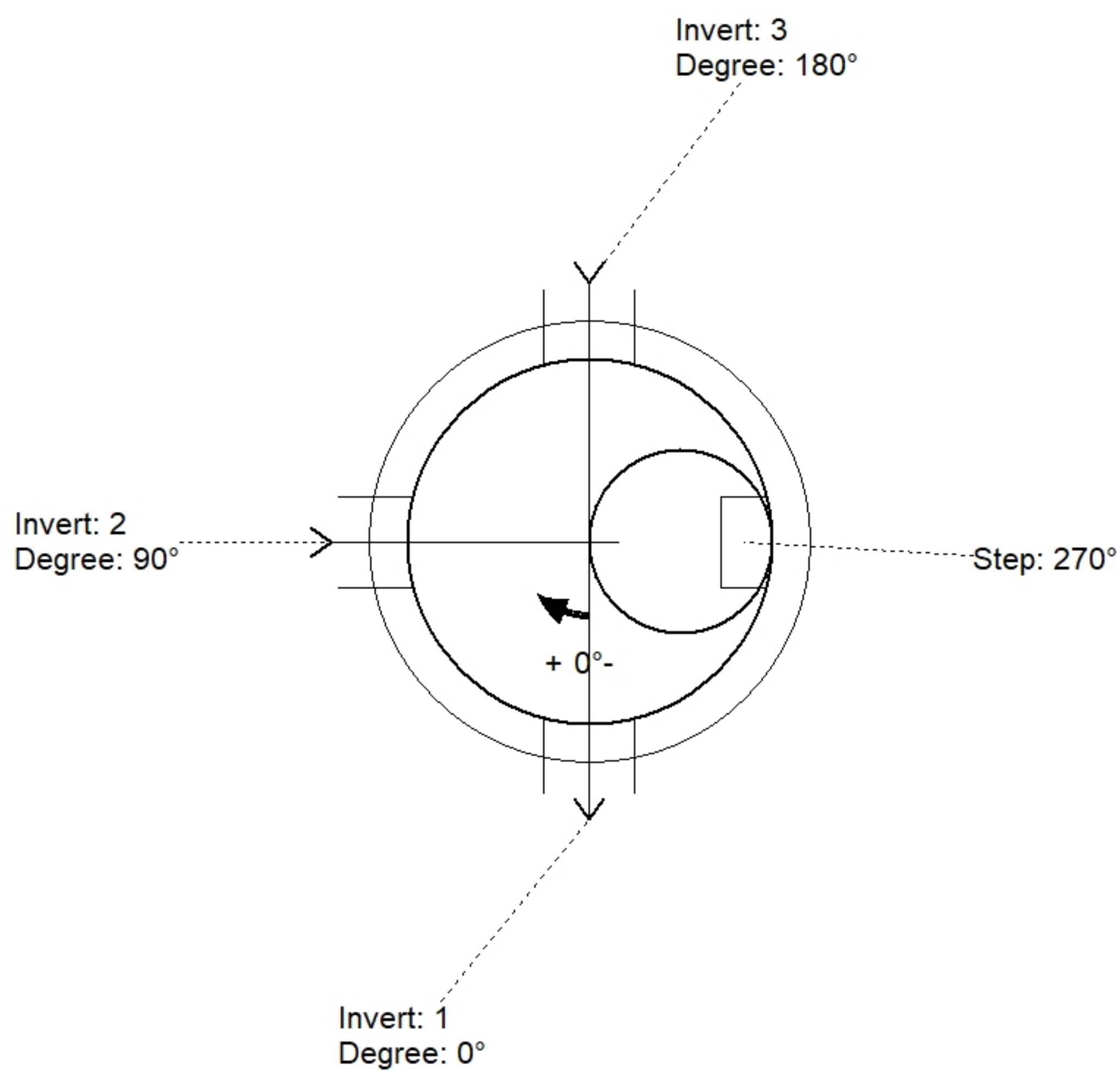
**Structure Notes:**

1. PER ASTM C478 SPECIFICATIONS.
2. CONCRETE = 4,000 PSI AT 28 DAYS.
3. CASTING (HOE MC-315) SHIPPED LOOSE.

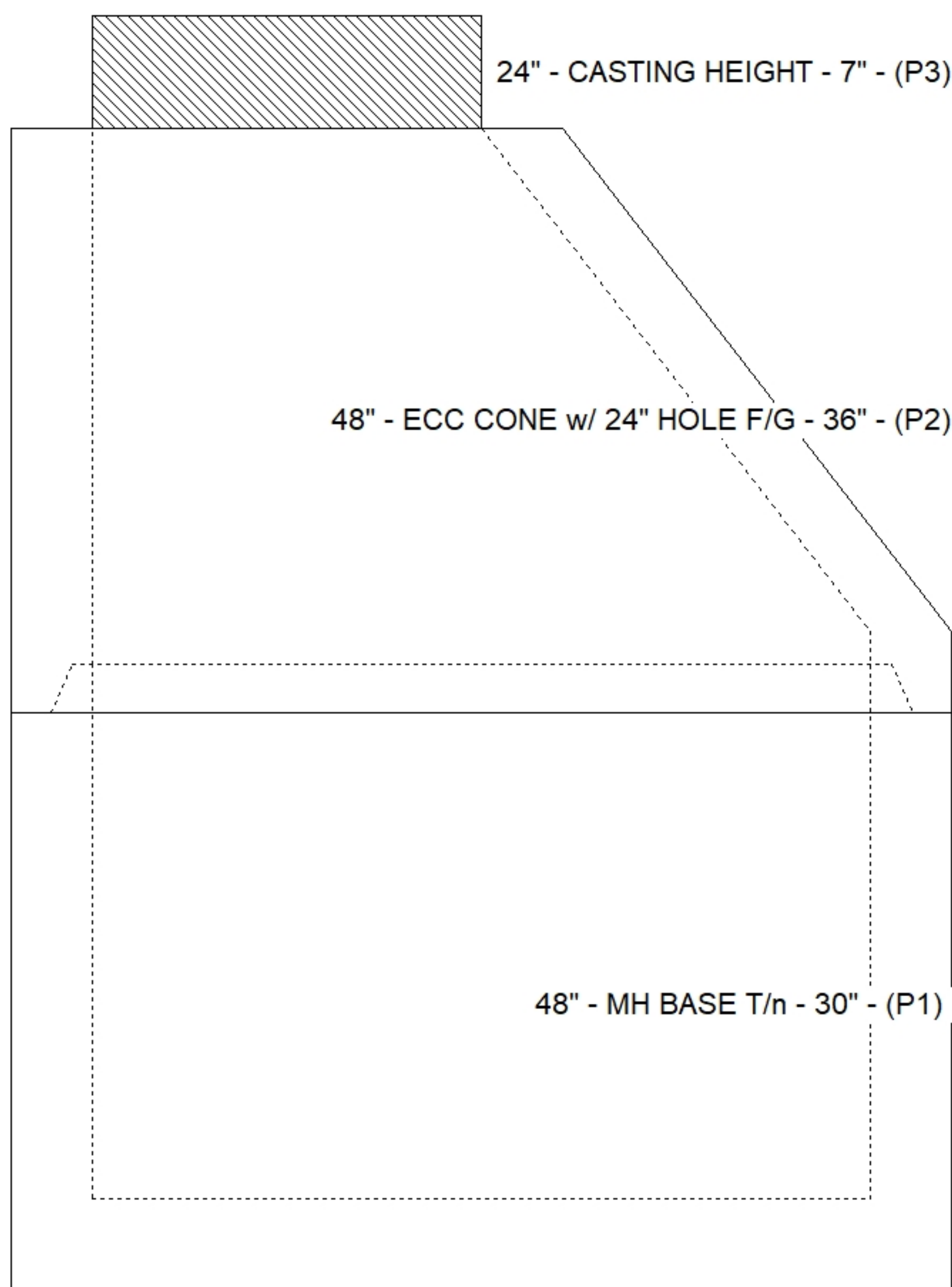
REINFORCING PER ASTM A615 (GRADE 60).  
 - CONE (As .12)  
 - RISER (As .12)  
 - FLOOR (As .31) #5 BARS AT 12" C.C.E.W.

**STRUCTURE SUMMARY:**

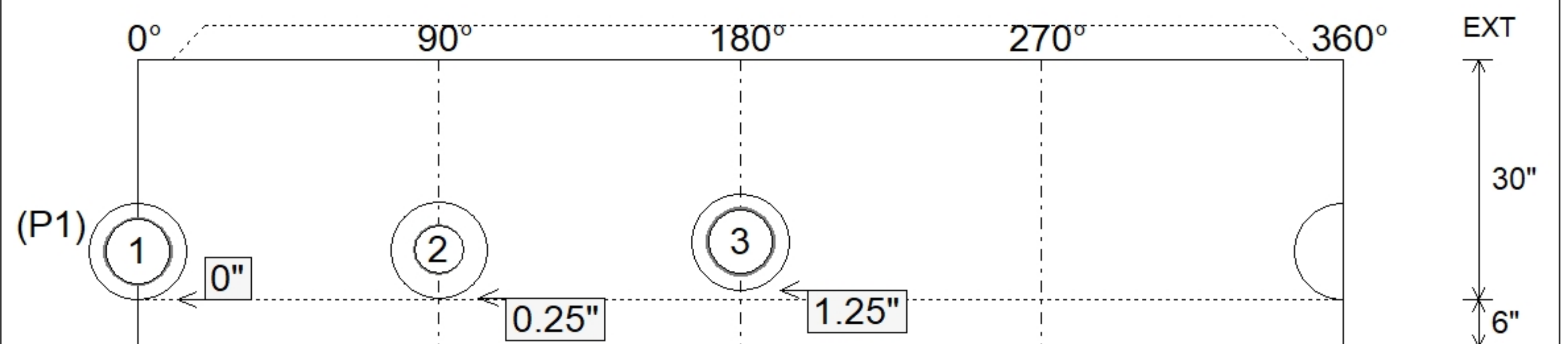
|   |                |
|---|----------------|
| P3) 24" - CASTING HEIGHT - 7"                 | 0 lb           |
| P2) 48" - ECC CONE w/ 24" HOLE F/G - 36"      | 3000 lb        |
| P1) 48" - MH BASE T/n - 30"                   | 3282 lb        |
| 1) JOINT WRAP - 0.065"x6"x50' CONSEAL CS212   | 0 lb           |
| 1) JOINT WRAP PRIMER - CONSEAL CS-75 (1 gal.) | 0 lb           |
| 1) 48" - MH INVERT CHANNEL - FULL HEIGHT      | 1440 lb        |
| 1) CASTING - HOE MC-315 F/C Sanitary*         | 258 lb         |
| 1) 48" - DBL 1"x14.5' Butyl (2x)              | 0 lb           |
| 2) PSX - 12-08 NYLO                           | 16 lb          |
| 1) PSX - 12-06 NYLO                           | 8 lb           |
| 5) MH Step ML-10-TDS-NCR - 10"                | 0 lb           |
| <b>Structure Total:</b>                       | <b>8004 lb</b> |



| Position | Elev    | Angle | Ext. (cw) | Pipe         | Hole | Connector      | Up ( ) | Ref |
|----------|---------|-------|-----------|--------------|------|----------------|--------|-----|
| Rim      | 404.85' |       |           |              |      |                |        |     |
| Reducer  |         |       |           |              |      |                |        |     |
| Invert 1 | 398.92' | 0°    | 0"        | 8" PVC SDR35 | 12"  | PSX 12-08 NYLO | 0"     | P1  |
| Invert 2 | 399.02' | 90°   | 45.5"     | 6" PVC SDR35 | 12"  | PSX 12-06 NYLO | 0.25"  | P1  |
| Invert 3 | 399.02' | 180°  | 91.125"   | 8" PVC SDR35 | 12"  | PSX 12-08 NYLO | 1.25"  | P1  |
| Invert 4 |         |       |           |              |      |                |        |     |
| Invert 5 |         |       |           |              |      |                |        |     |
| Invert 6 |         |       |           |              |      |                |        |     |
| Invert 7 |         |       |           |              |      |                |        |     |
| Invert 8 |         |       |           |              |      |                |        |     |



**Cast (Int. Dim.) - Interior Dimensions**



Submittal Drawing  
 6/5/2025 1:19:59 PM

SUBMITTAL  
 APPROVED BY: