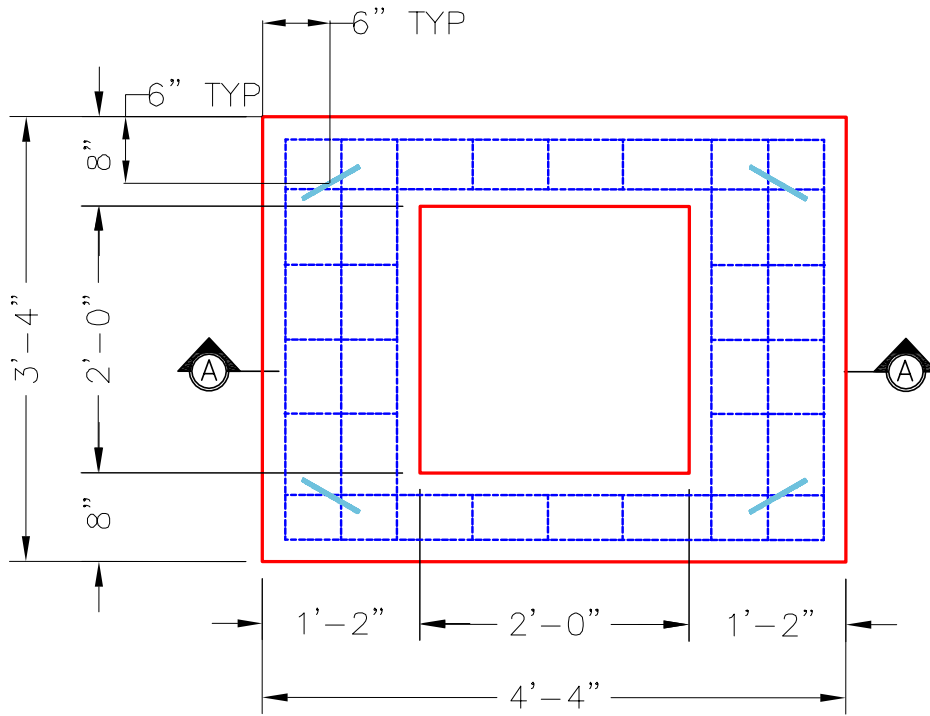
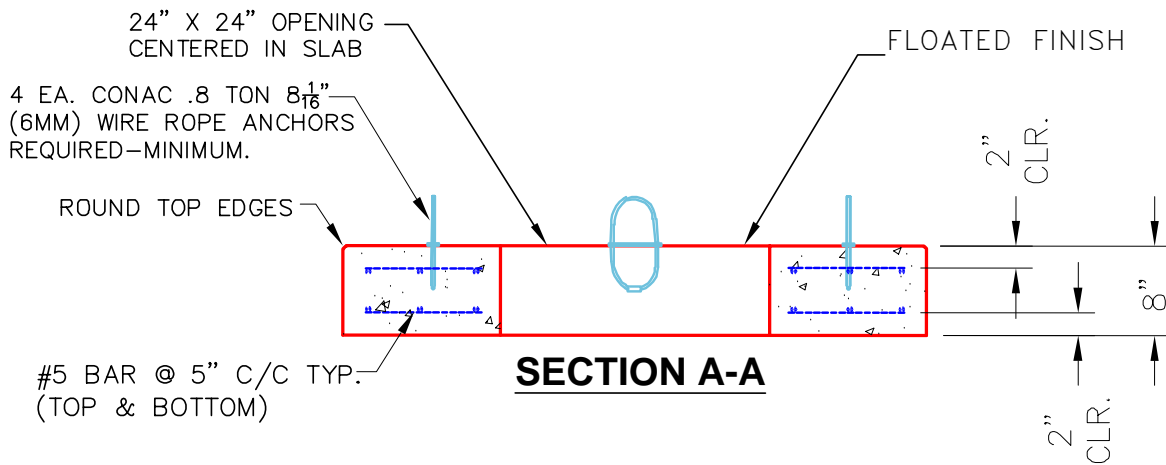


THIS DRAWING IS INTENDED TO BE PRINTED IN COLOR.



PLAN VIEW



SECTION A-A

NOTES:

- CONCRETE: 4500 PSI @ 28 DAYS.
- MANUFACTURED TO ASTM C-913 SPECIFICATIONS.
- REINFORCING: #5 BAR AS SHOWN-GRADE 60. (T&B LAYER)
- 4 EA. CONAC WIRE LOOP LIFTS REQUIRED (MIN.)

<p>PRODUCTION WORK ORDER</p>		<p>PRODUCT I.D.: BX2436_08LD08</p>	<p>DESCRIPTION: 24"X36"X8" W/ 24"X24" OPENING</p>
	<p>QUALITY CONTROL CHECKLIST</p>	<p>PRODUCT VIEW: RIGHT SIDE UP</p>	<p>CUSTOMER: COOPER CONTRACTING</p>
	<input type="checkbox"/> ALL DIMENSIONS CORRECT.	<p>PLANT: BEAVER DAM, KY.</p>	<p>PROJECT: GEIGER ST. & 10TH ST. RECONSTRUCTION</p>
	<input type="checkbox"/> LIFTERS INSTALLED.	<p>WEIGHT: 1,050 LBS.</p>	<p>STRUCTURE: CBI 122</p>
	<input type="checkbox"/> OPENING CENTERED.	<p>TOP SECTION JOINT: NOT REQ'D.</p>	<p>QUOTE/ORDER NO: 25-1192</p>
	<input type="checkbox"/> REINFORCING CORRECT.	<p>BOTTOM JOINT: FLAT</p>	<p>PC: J.H. ROSS, PE DRAWING: C.RUSS</p>
<input type="checkbox"/> NO JOINT INSTALLED.	<p>QC CHECK INITIALS:</p>	<p>DATE: 09/24/25 SCALE: NTS PG. 1 of 1</p>	
<input type="checkbox"/> TOP EDGE ROUNDED.			
<input type="checkbox"/> ANY PATCHWORK ACCEPTABLE.			