

Job Name: 25-1192 Geiger St. & 10th St. Reconstruction
Job Location: Huntingberg, IN
Contractor: Cooper Contracting

PC: E.Bradley
 TECH: C.Russ
 Plant: Beaver Dam



Structure ID: CBI 120

Spec: Storm
 Type: BX 8inW, 8inF
 Size: 24" x 36"

Rim: 503.74'
 Invert: 499.44'
 Rim to Invert: 4.3'

Sump: 1.6"
 Floor (Top): 499.307'
 Floor Height: 8"

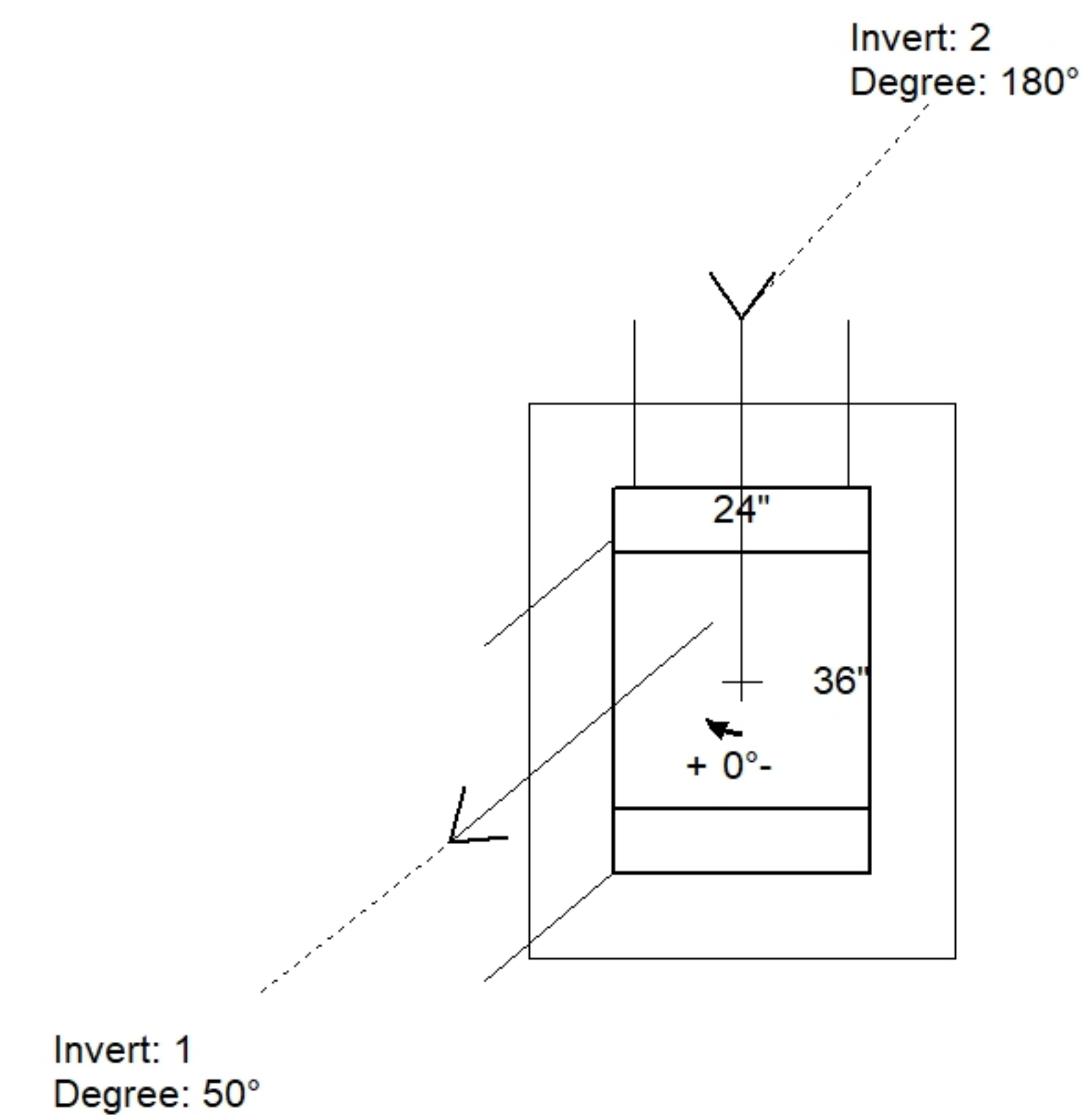
Floor (Bot): 498.64'
 Overall Height: 5.063'
 Slack: 0.45"

Structure Notes:

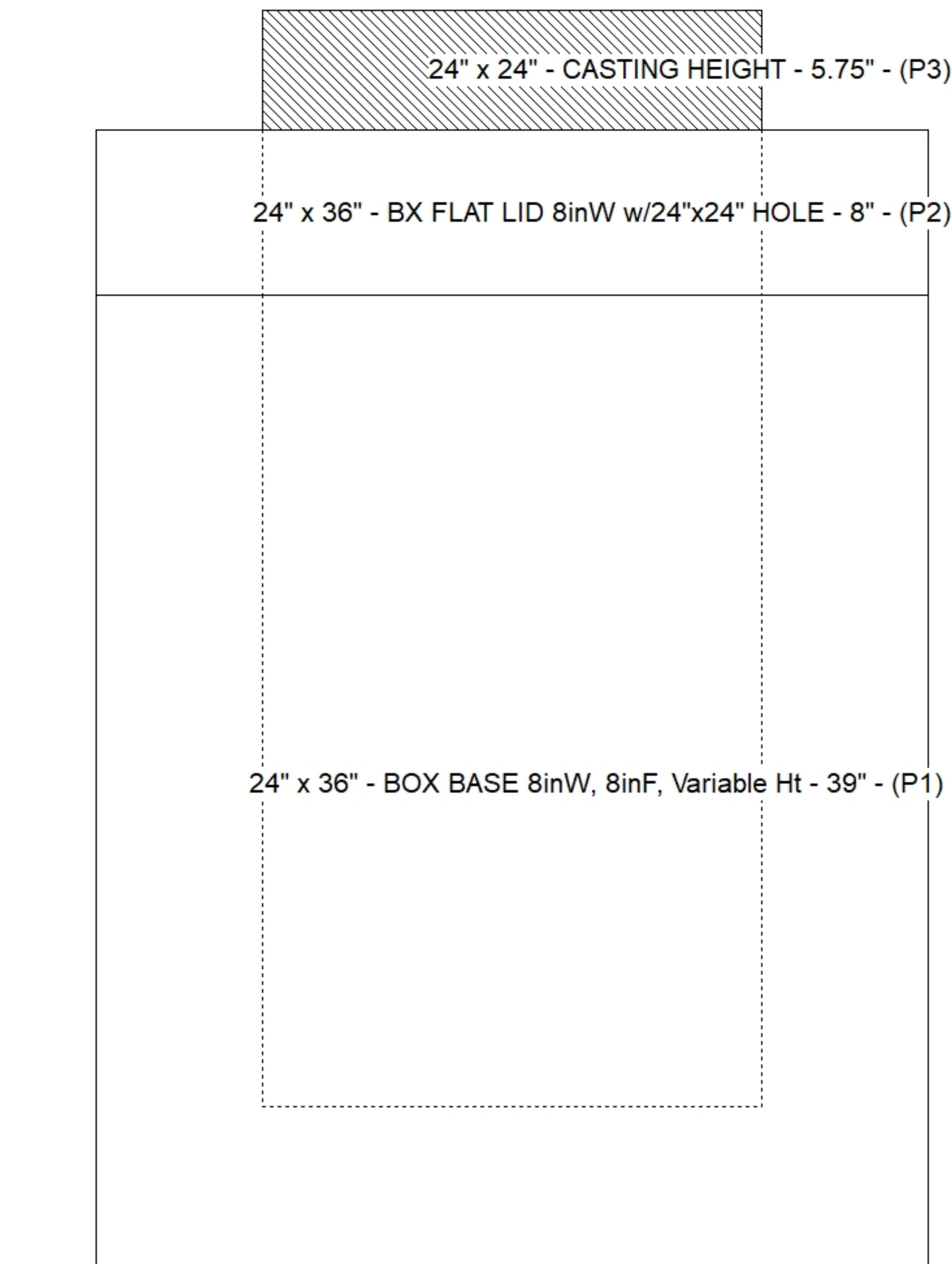
1. PER ASTM C913 SPECIFICATIONS.
2. CONCRETE = 4,000 PSI AT 28 DAYS.
3. NO INVERT CHANNEL.
4. CASTING BY OTHERS
5. REINFORCING PER ASTM A615 (GRADE 60).
 - TOP SLAB (As .12) #5 BARS AT 12" C.C.E.W.
 - WALLS (As .12) #5 BARS AT 12" C.C.E.W.
 - FLOOR (As .12) #5 BARS AT 12" C.C.E.W.

STRUCTURE SUMMARY:

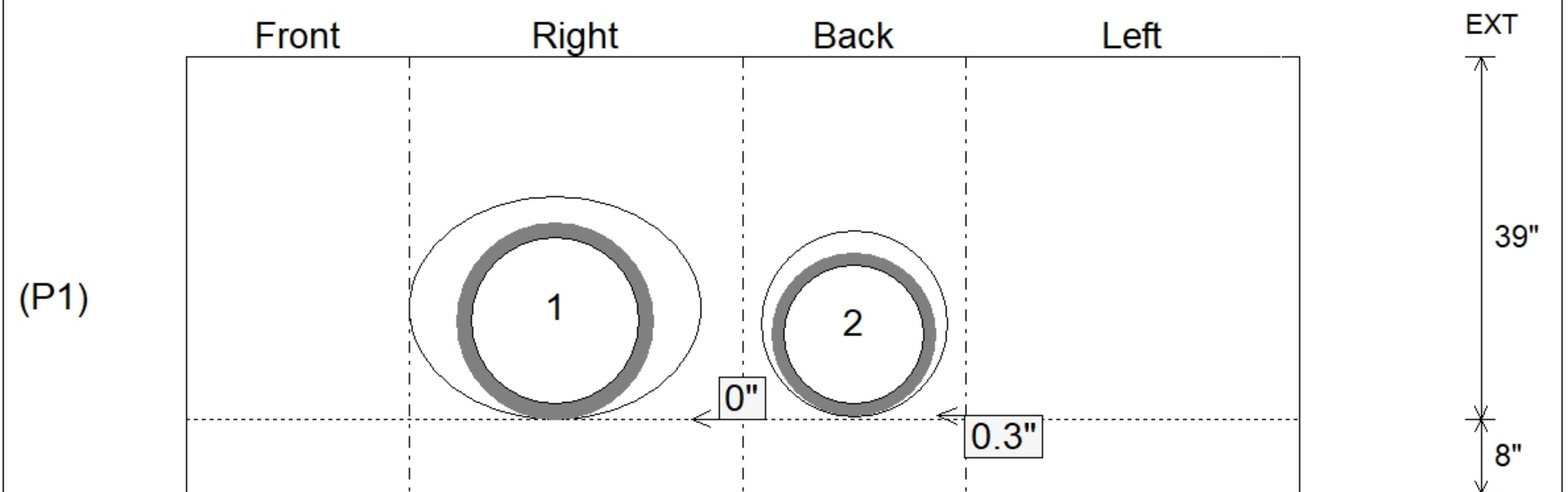
P3) 24" x 24" - CASTING HEIGHT - 5.75"	0 lb
P2) 24" x 36" - BX FLAT LID 8inW w/24"x24" HOLE - 8"	1010 lb
P1) 24" x 36" - BOX BASE 8inW, 8inF, Variable Ht - 39"	4768 lb
1) 24" x 36" - SGL 1"x14.5' Butyl	0 lb
1) 24" x 24" - SGL 1"x14.5' Butyl	0 lb
1) Hole - 24	0 lb
1) Hole - 20	0 lb
Structure Total:	5778 lb



Position	Elev	Angle	Pipe	Pipe OD	Hole	Connector	Up (")	Ref
Rim	503.74'							
Reducer								
Invert 1	499.44'	50°	18" HDPE	21.2"	24"	Hole 24	0"	P1
Invert 2	499.44'	180°	15" HDPE	17.6"	20"	Hole 20	0.3"	P1
Invert 3								
Invert 4								
Invert 5								
Invert 6								
Invert 7								
Invert 8								



Default - Interior Dimensions



Submittal Drawing
 10/7/2025 10:21:40 AM

SUBMITTAL
 APPROVED BY: