

Job Name: 25-1192 Geiger St. & 10th St. Reconstruction
 Job Location: Huntingberg, IN
 Contractor: Cooper Contracting

Plant: Beaver Dam

Tech: C.Russ

9/24/2025 7:33:07 AM

PC: E.Bradley



Structure ID: CBI 118

P1 BX2424-08BAVF

BOX BASE 8inW, 8inF, Variable Ht F/n

- P2) 24" x 24" - CASTING HEIGHT - 5.75"
- P1) 24" x 24" - BOX BASE 8inW, 8inF, Variable Ht F/n - 34"
- 1) 24" x 24" - SGL 1"x14.5' Butyl
- 1) Hole - 20
- 1) Hole - 16

0 lb
 3650 lb
 0 lb
 0 lb
 0 lb

 0 lb
 Structure Total: 3650 lb

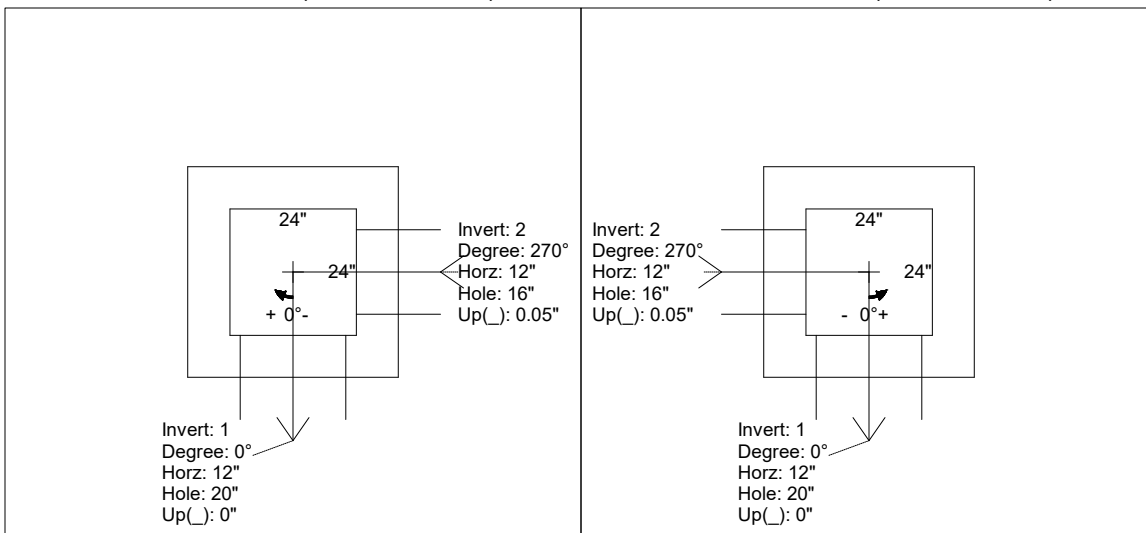
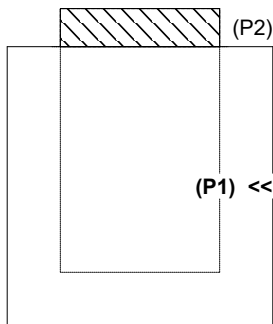
- Structure Notes:**
1. PER ASTM C913 SPECIFICATIONS.
 2. CONCRETE = 4,000 PSI AT 28 DAYS.
 3. NO INVERT CHANNEL.
 4. CASTING BY OTHERS
 5. REINFORCING PER ASTM A615 (GRADE 60).
 - WALLS (As .12) #5 BARS AT 12" C.C.E.W.
 - FLOOR (As .12) #5 BARS AT 12" C.C.E.W.

Rim: 504.11' Rim to Invert: 3.22' Slack: 0.19" Sump: 1.3" Step Position:

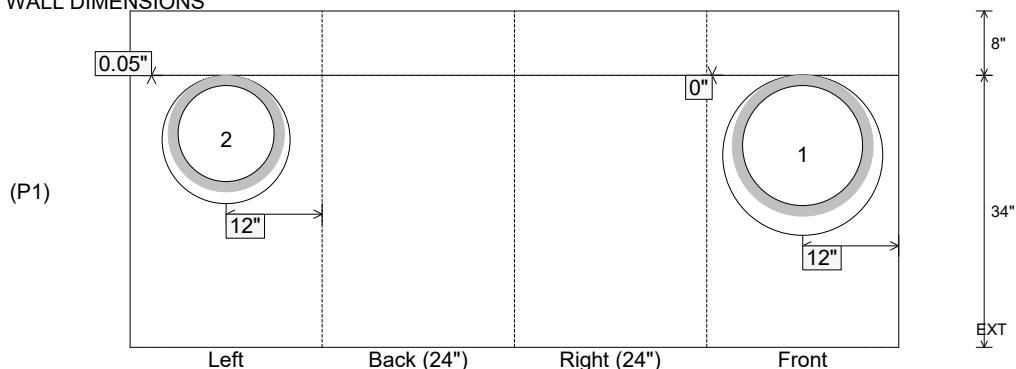
Position	Elev	Angle	Ext. (cw)	Pipe	Pipe OD	Connector	Hole	Horz Size	Up ()	Offset
Invert 1	500.89'	0°	20"	15" HDPE	17.6"	Hole 20	20"	20"	0"	0"
Invert 2	500.89'	270°	20"	12" HDPE	14.5"	Hole 16	16"	16"	0.05"	0"
Invert 3										
Invert 4										
Invert 5										
Invert 6										
Invert 7										
Invert 8										

RIGHT-SIDE UP VIEW (int. dimensions)

UPSIDE-DOWN VIEW (int. dimensions)



INSIDE WALL DIMENSIONS



Coating (Int):
 Coating (Ext):

Seam Up: Flat
 Seam Dn: n/a

Wall Thickness: 8"
 Floor Height: 8"

Height (Int): 34"
 Height (Ext): 42"

Weight (Net): 3650 lb
 Volume (Net): 0.93cu.yd