

Job Name: 25-1192 Geiger St. & 10th St. Reconstruction
Job Location: Huntingberg, IN
Contractor: Cooper Contracting

PC: E.Bradley
 TECH: C.Russ
 Plant: Beaver Dam



Structure ID: CBI 114

Spec: Storm
 Type: BX 6inW, 6inF
 Size: 36" x 66"

Rim: 504.04'
 Invert: 499.09'
 Rim to Invert: 4.95'

Sump: 1.9"
 Floor (Top): 498.932'
 Floor Height: 6"

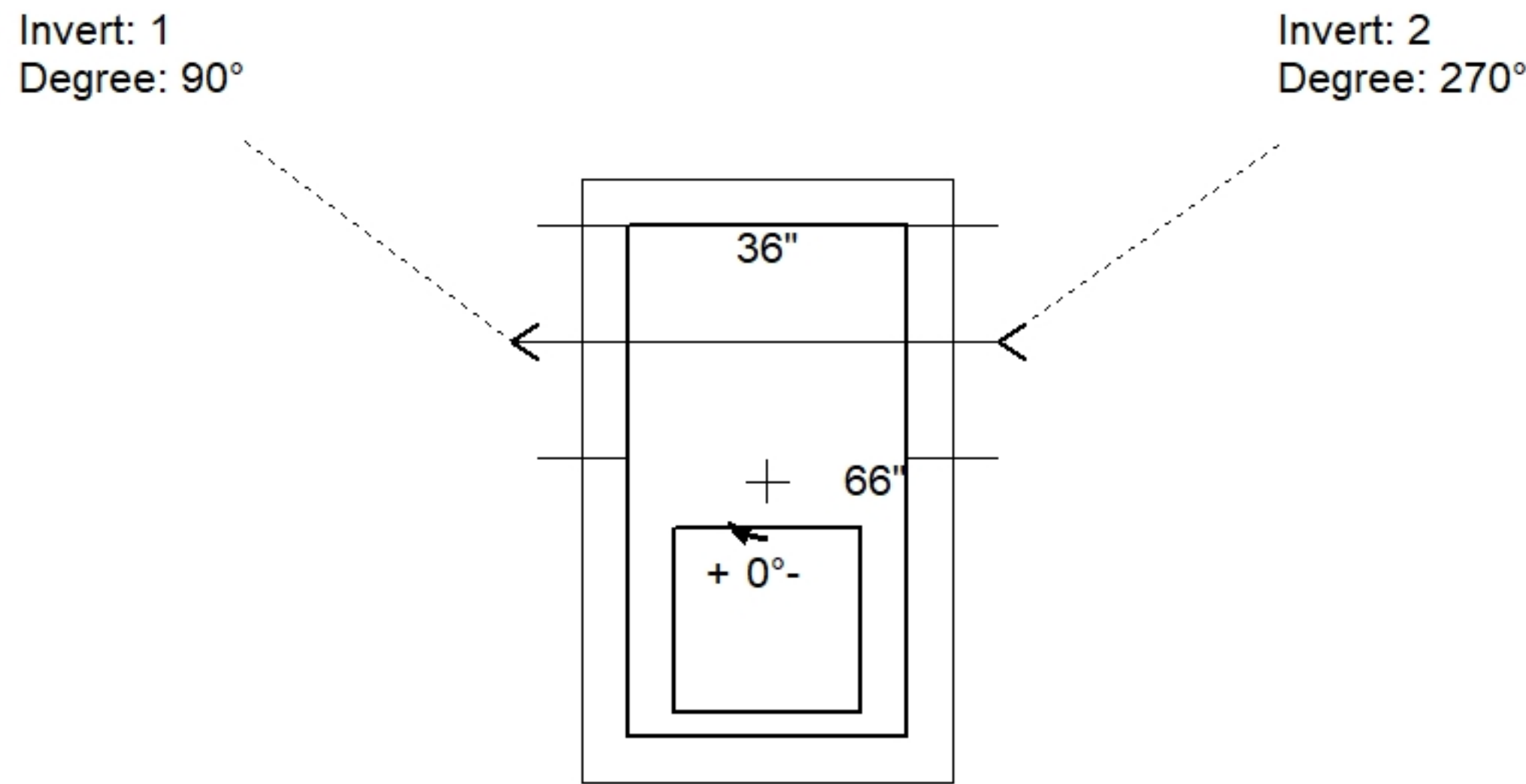
Floor (Bot): 498.432'
 Overall Height: 5.563'
 Slack: 0.55"

Structure Notes:

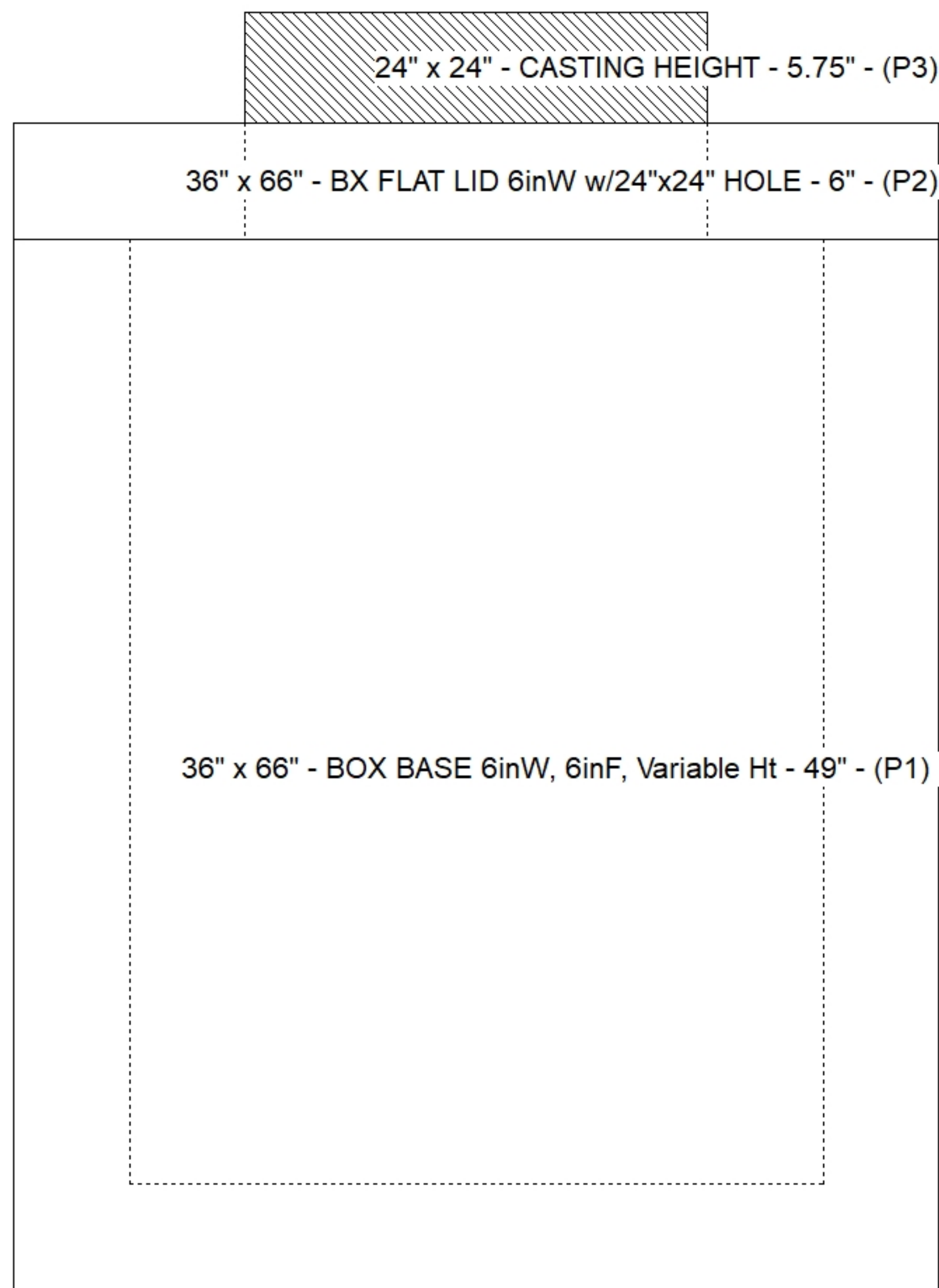
1. PER ASTM C913 SPECIFICATIONS.
 2. CONCRETE = 4,000 PSI AT 28 DAYS.
 3. NO INVERT CHANNEL.
 4. CASTING BY OTHERS
- REINFORCING PER ASTM A615 (GRADE 60).
 - TOP SLAB (As .62) #5 BARS AT 6" C.C.E.W.
 - WALLS (As .31) #5 BARS AT 12" C.C.E.W.
 - FLOOR (As .31) #5 BARS AT 12" C.C.E.W.

STRUCTURE SUMMARY:

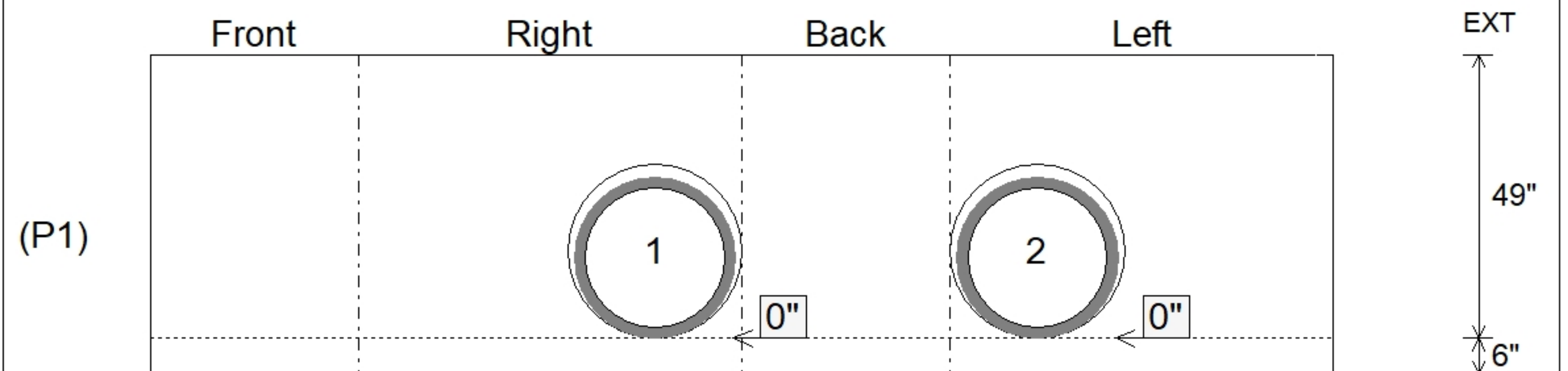
| | |
|--|----------------|
| P3) 24" x 24" - CASTING HEIGHT - 5.75" | 0 lb |
| P2) 36" x 66" - BX FLAT LID 6inW w/24"x24" HOLE - 6" | 1595 lb |
| P1) 36" x 66" - BOX BASE 6inW, 6inF, Variable Ht - 49" | 7189 lb |
| 1) 36" x 66" - Conseal CS-102 1.00" | 0 lb |
| 1) 24" x 24" - Conseal CS-102 1.00" | 0 lb |
| 2) Hole - 30 | 0 lb |
| Structure Total: | 8784 lb |



| Position | Elev | Angle | Pipe | Pipe OD | Hole | Connector | Up (") | Ref |
|----------|---------|-------|----------|---------|------|-----------|--------|-----|
| Rim | 504.04' | | | | | | | |
| Reducer | | | | | | | | |
| Invert 1 | 499.09' | 90° | 24" HDPE | 27.8" | 30" | Hole 30 | 0" | P1 |
| Invert 2 | 499.09' | 270° | 24" HDPE | 27.8" | 30" | Hole 30 | 0" | P1 |
| Invert 3 | | | | | | | | |
| Invert 4 | | | | | | | | |
| Invert 5 | | | | | | | | |
| Invert 6 | | | | | | | | |
| Invert 7 | | | | | | | | |
| Invert 8 | | | | | | | | |



Default - Interior Dimensions



Submittal Drawing
 10/7/2025 10:21:39 AM

SUBMITTAL
 APPROVED BY: