

**Job Name: 25-1192 Geiger St. & 10th St. Reconstruction**  
**Job Location: Huntingberg, IN**  
**Contractor: Cooper Contracting**

PC: E.Bradley  
 TECH: C.Russ  
 Plant: Beaver Dam



Structure ID: CBI 110

Spec: Storm  
 Type: BX 6inW, 6inF  
 Size: 24" x 24"

Rim: 504.31'  
 Invert: 501.63'  
 Rim to Invert: 2.68'

Sump: 1.6"  
 Floor (Top): 501.497'  
 Floor Height: 6"

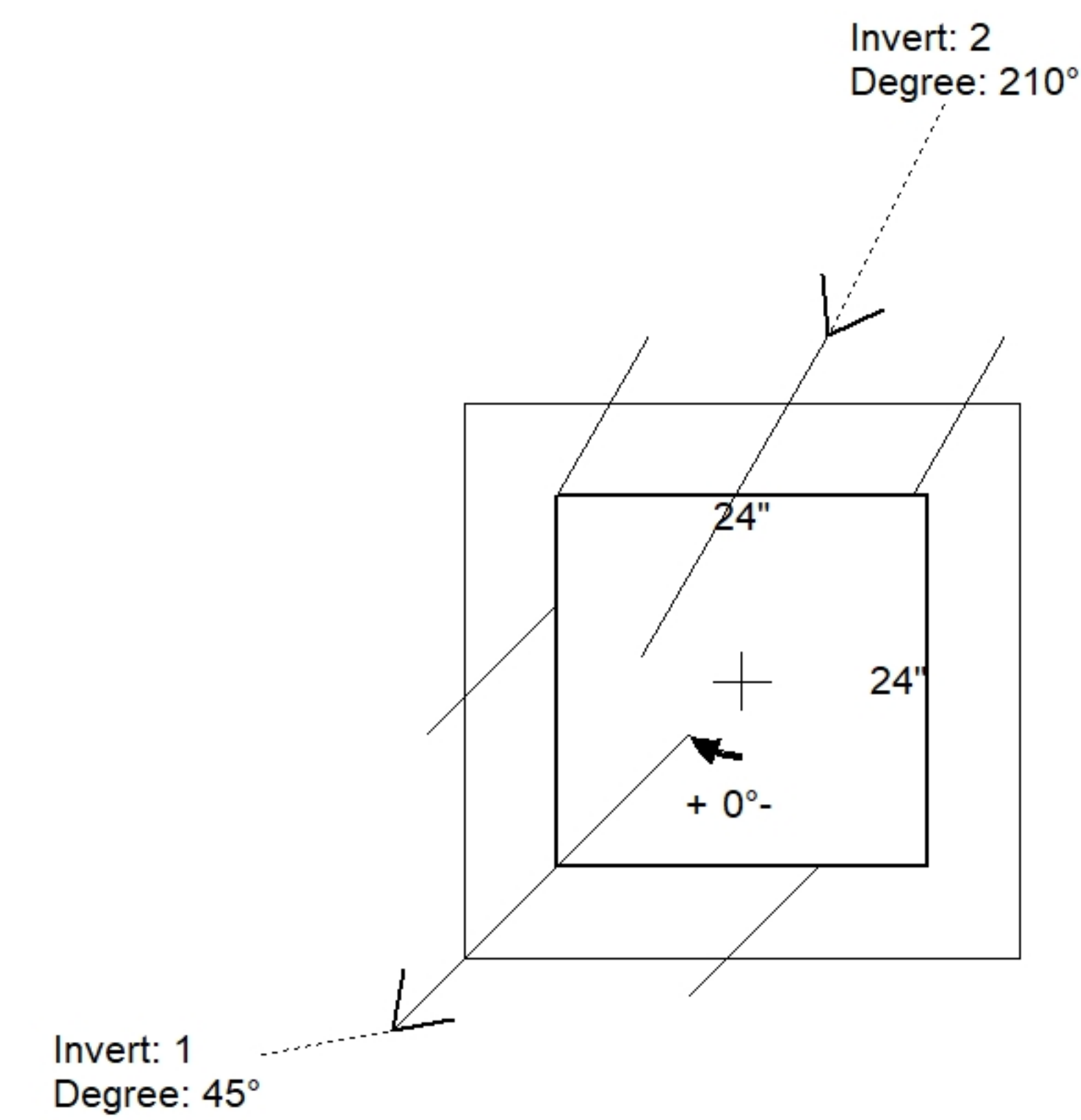
Floor (Bot): 500.997'  
 Overall Height: 3.313'  
 Slack: 0.01"

Structure Notes:

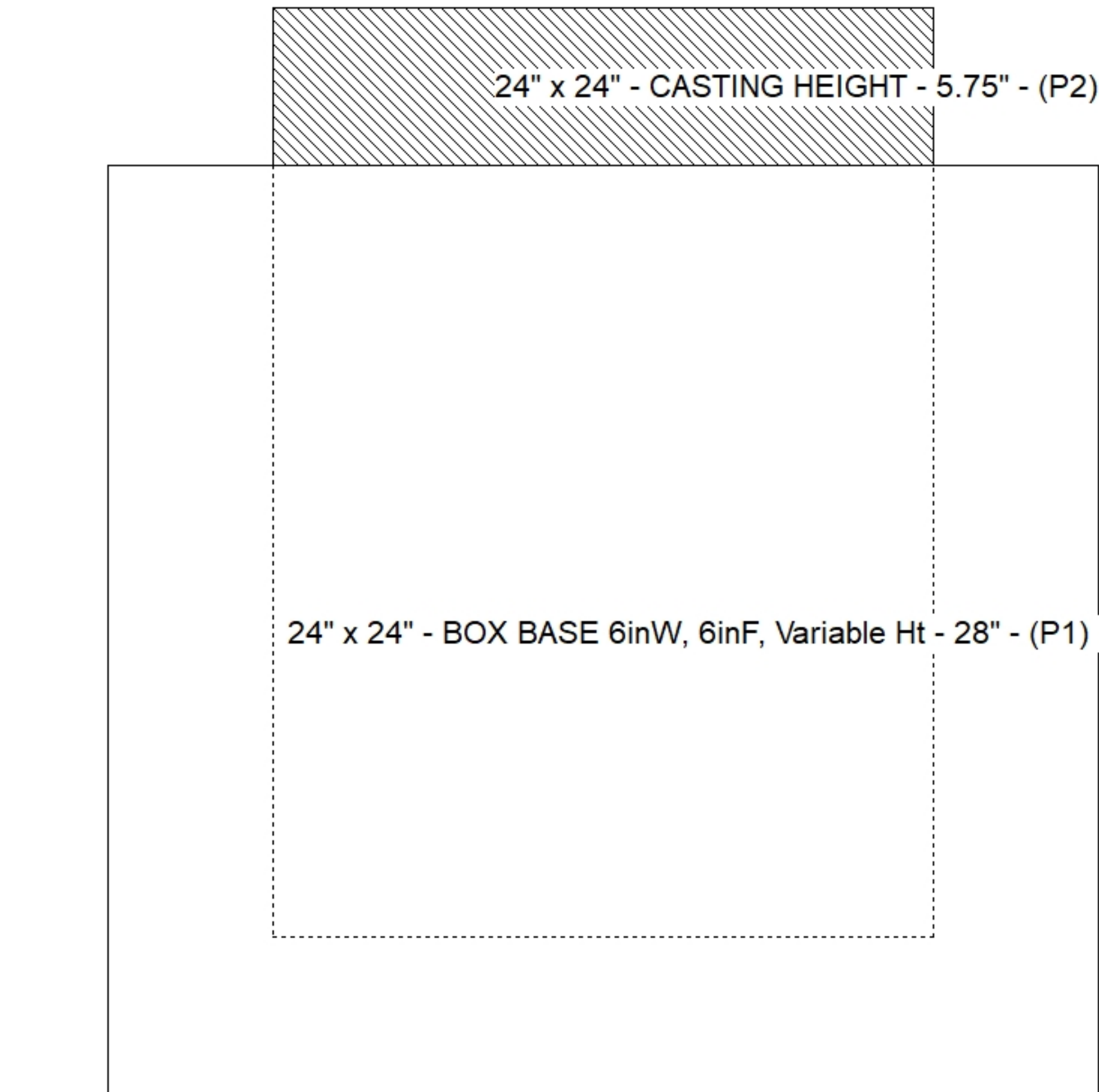
1. PER ASTM C913 SPECIFICATIONS.
2. CONCRETE = 4,000 PSI AT 28 DAYS.
3. NO INVERT CHANNEL.
4. EJ 7495 BY ICAST
5. REINFORCING PER ASTM A615 (GRADE 60).  
 - WALLS (As .12) #5 BARS AT 12" C.C.E.W.  
 - FLOOR (As .12) #5 BARS AT 12" C.C.E.W.

STRUCTURE SUMMARY:

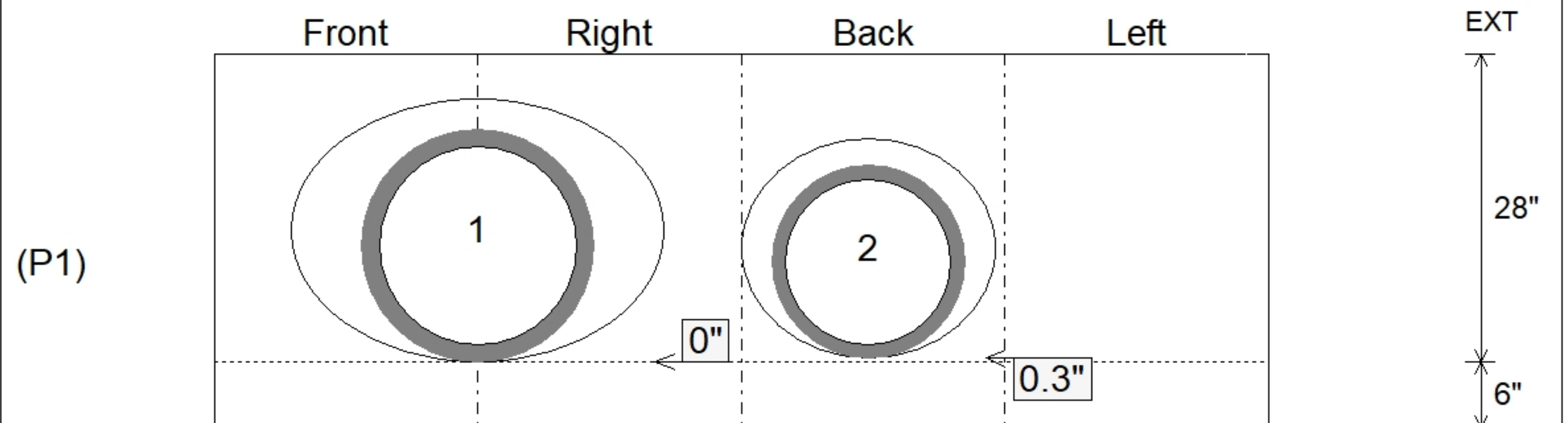
P2) 24" x 24" - CASTING HEIGHT - 5.75"	0 lb
P1) 24" x 24" - BOX BASE 6inW, 6inF, Variable Ht - 28"	1839 lb
1) 24" x 24" - SGL 1"x14.5' Butyl	0 lb
1) Hole - 24	0 lb
1) Hole - 20	0 lb
<b>Structure Total:</b>	<b>1839 lb</b>



Position	Elev	Angle	Pipe	Pipe OD	Hole	Connector	Up (")	Ref
Rim	504.31'							
Reducer								
Invert 1	501.63'	45°	18" HDPE	21.2"	24"	Hole 24	0"	P1
Invert 2	501.63'	210°	15" HDPE	17.6"	20"	Hole 20	0.3"	P1
Invert 3								
Invert 4								
Invert 5								
Invert 6								
Invert 7								
Invert 8								



**Default - Interior Dimensions**



Submittal Drawing  
 10/7/2025 10:21:38 AM

SUBMITTAL  
 APPROVED BY: