

Job Name: 25-1192 Geiger St. & 10th St. Reconstruction  
 Job Location: Huntingberg, IN  
 Contractor: Cooper Contracting

Plant: Beaver Dam

Tech: C.Russ

9/24/2025 7:31:13 AM

PC: E.Bradley



**Structure ID: CBI 110**

**P1 BX24240606VF**

**BOX BASE 6inW, 6inF, Variable Ht F/n**

- P2) 24" x 24" - CASTING HEIGHT - 5.75"
- P1) 24" x 24" - BOX BASE 6inW, 6inF, Variable Ht F/n - 28"
- 1) 24" x 24" - SGL 1"x14.5' Butyl
- 1) Hole - 24
- 1) Hole - 20

0 lb  
 1839 lb  
 0 lb  
 0 lb  
 0 lb  
 -----  
 0 lb  
 Structure Total: 1839 lb

Structure Notes:

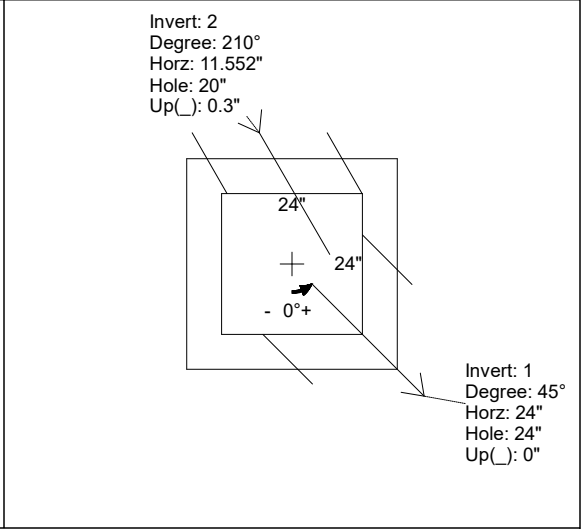
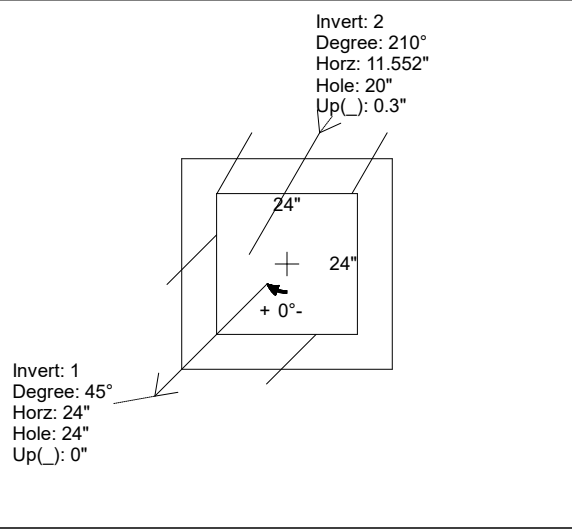
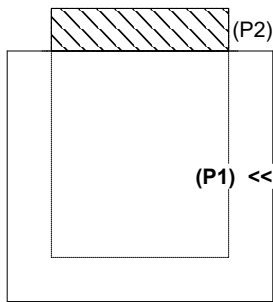
1. PER ASTM C913 SPECIFICATIONS.
2. CONCRETE = 4,000 PSI AT 28 DAYS.
3. NO INVERT CHANNEL.
4. EJ 7495 BY ICAST
5. REINFORCING PER ASTM A615 (GRADE 60).  
 - WALLS (As .12) #5 BARS AT 12" C.C.E.W.  
 - FLOOR (As .12) #5 BARS AT 12" C.C.E.W.

Rim: 504.31' Rim to Invert: 2.68' Slack: 0.01" Sump: 1.6" Step Position:

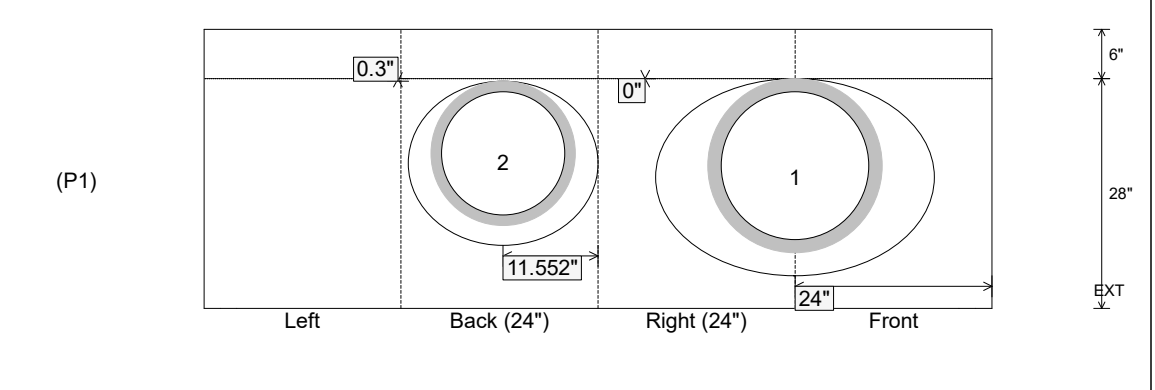
Position	Elev	Angle	Ext. (cw)	Pipe	Pipe OD	Connector	Hole	Horz Size	Up ( )	Offset
Invert 1	501.63'	45°	36"	18" HDPE	21.2"	Hole 24	24"	16.971", 16.971"	0"	0"
Invert 2	501.63'	210°	21.016"	15" HDPE	17.6"	Hole 20	20"	23.094"	0.3"	-6.388"
Invert 3										
Invert 4										
Invert 5										
Invert 6										
Invert 7										
Invert 8										

**RIGHT-SIDE UP VIEW (int. dimensions)**

**UPSIDE-DOWN VIEW (int. dimensions)**



**INSIDE WALL DIMENSIONS**



Coating (Int):  
 Coating (Ext):

Seam Up: Flat  
 Seam Dn: n/a

Wall Thickness: 6"  
 Floor Height: 6"

Height (Int): 28"  
 Height (Ext): 34"

Weight (Net): 1839 lb  
 Volume (Net): 0.47cu.yd