

Job Name: 25-1192 Geiger St. & 10th St. Reconstruction
Job Location: Huntingberg, IN
Contractor: Cooper Contracting

PC: E.Bradley
 TECH: C.Russ
 Plant: Beaver Dam



Structure ID: **CBI 104**

Spec: Storm
 Type: BX 6inW, 6inF
 Size: 36" x 66"

Rim: 504.65'
 Invert: 501.33'
 Rim to Invert: 3.32'

Sump: 1.6"
 Floor (Top): 501.197'
 Floor Height: 6"

Floor (Bot): 500.697'
 Overall Height: 3.896'
 Slack: 0.69"

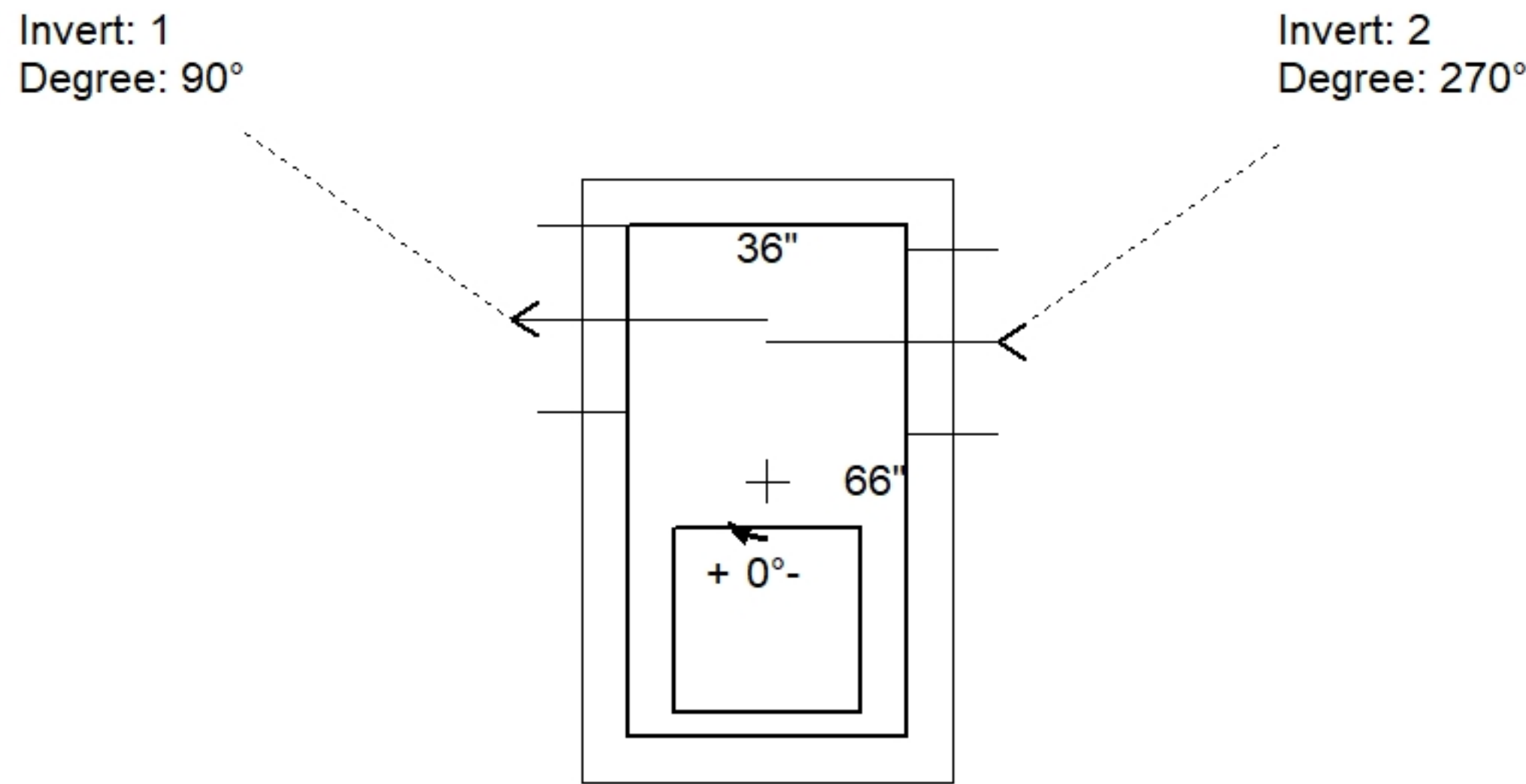
Structure Notes:

1. PER ASTM C913 SPECIFICATIONS.
2. CONCRETE = 4,000 PSI AT 28 DAYS.
3. NO INVERT CHANNEL.
4. CASTING BY OTHERS.

REINFORCING PER ASTM A615 (GRADE 60).
 - TOP SLAB (As .62) #5 BARS AT 6" C.C.E.W.
 - WALLS (As .31) #5 BARS AT 12" C.C.E.W.
 - FLOOR (As .31) #5 BARS AT 12" C.C.E.W.

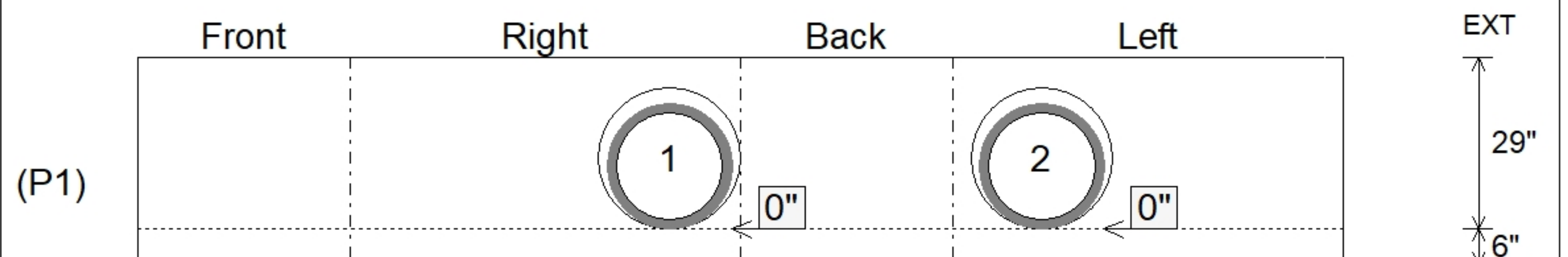
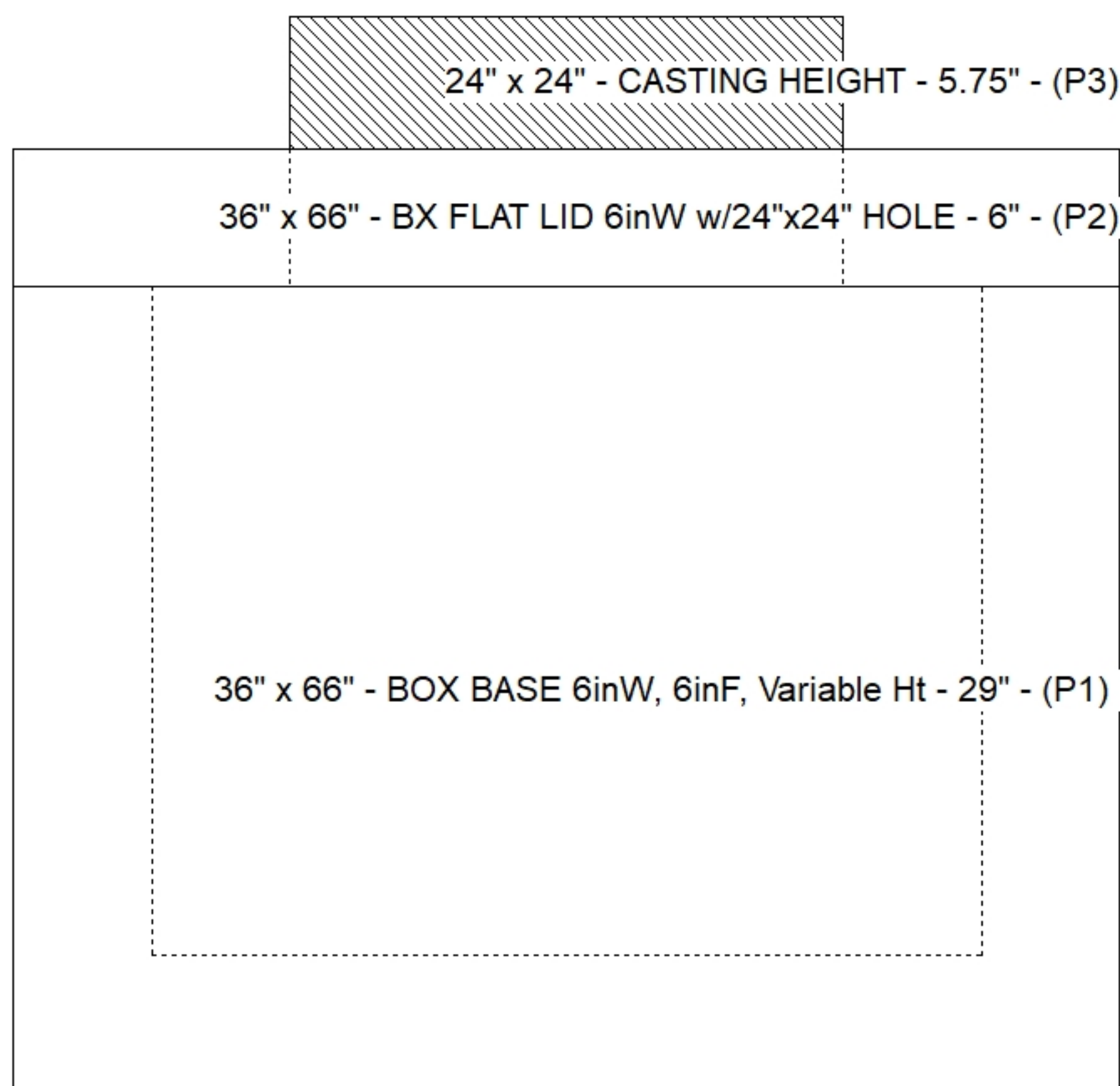
STRUCTURE SUMMARY:

P3) 24" x 24" - CASTING HEIGHT - 5.75"	0 lb
P2) 36" x 66" - BX FLAT LID 6inW w/24"x24" HOLE - 6"	1595 lb
P1) 36" x 66" - BOX BASE 6inW, 6inF, Variable Ht - 29"	4815 lb
1) 36" x 66" - Conseal CS-102 1.00"	0 lb
1) 24" x 24" - Conseal CS-102 1.00"	0 lb
2) Hole - 24	0 lb
Structure Total:	6410 lb



Position	Elev	Angle	Pipe	Pipe OD	Hole	Connector	Up (")	Ref
Rim	504.65'							
Reducer								
Invert 1	501.33'	90°	18" HDPE	21.2"	24"	Hole 24	0"	P1
Invert 2	501.33'	270°	18" HDPE	21.2"	24"	Hole 24	0"	P1
Invert 3								
Invert 4								
Invert 5								
Invert 6								
Invert 7								
Invert 8								

Default - Interior Dimensions



Submittal Drawing
 10/7/2025 10:21:38 AM

SUBMITTAL
 APPROVED BY: