

Job Name: 25-1192 Geiger St. & 10th St. Reconstruction
Job Location: Huntingberg, IN
Contractor: Cooper Contracting

PC: E.Bradley
 TECH: C.Russ
 Plant: Beaver Dam



Structure ID: **CBI 102**
 Spec: Storm
 Type: BX 6inW, 6inF
 Size: 36" x 66"

Rim: 504.95'
 Invert: 501.72'
 Rim to Invert: 3.23'

Sump: 1.6"
 Floor (Top): 501.587'
 Floor Height: 6"

Floor (Bot): 501.087'
 Overall Height: 3.813'
 Slack: 0.61"

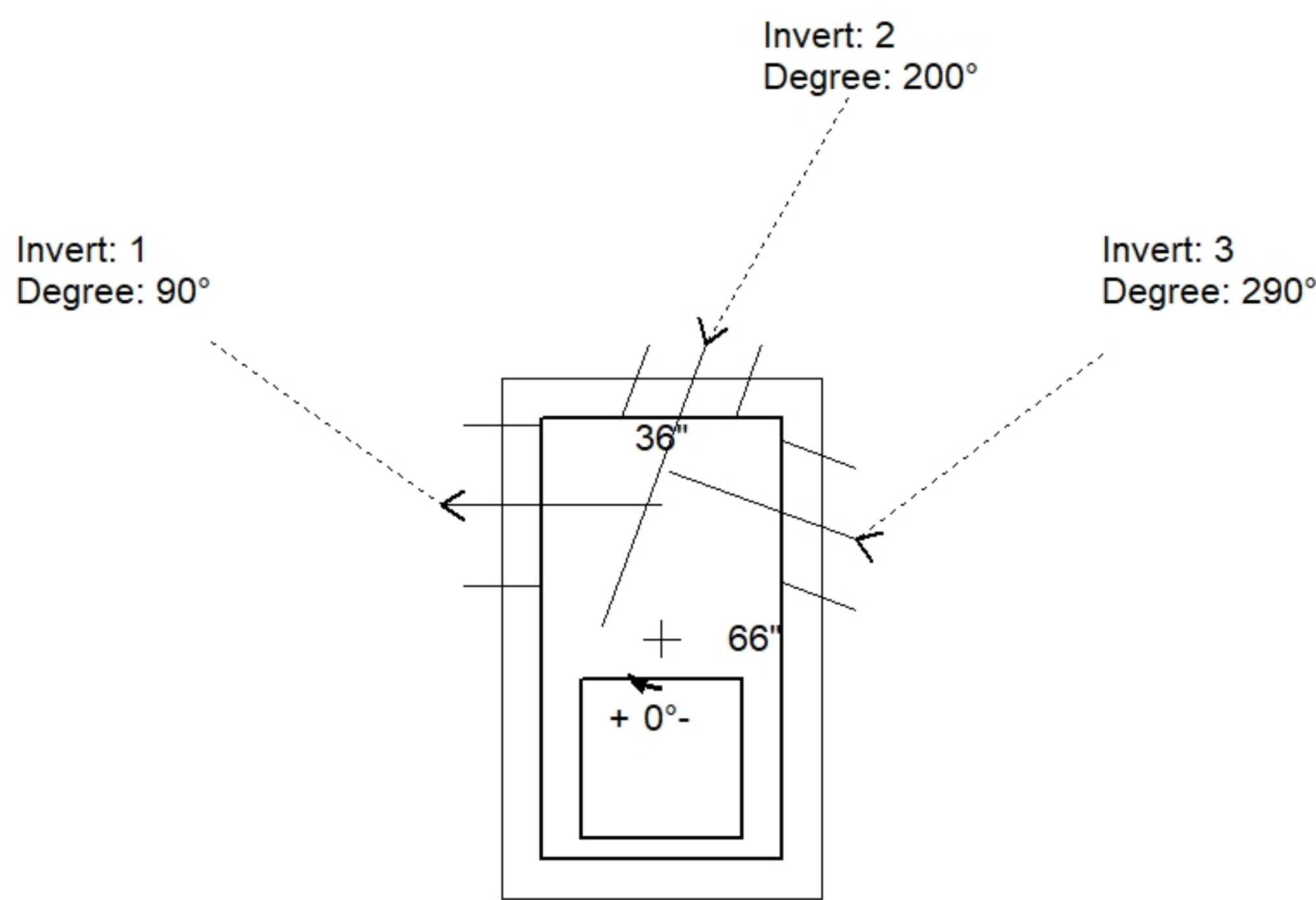
Structure Notes:

1. PER ASTM C913 SPECIFICATIONS.
2. CONCRETE = 4,000 PSI AT 28 DAYS.
3. NO INVERT CHANNEL.
4. CASTING BY OTHERS.

REINFORCING PER ASTM A615 (GRADE 60).
 - TOP SLAB (As .62) #5 BARS AT 6" C.C.E.W.
 - WALLS (As .31) #5 BARS AT 12" C.C.E.W.
 - FLOOR (As .31) #5 BARS AT 12" C.C.E.W.

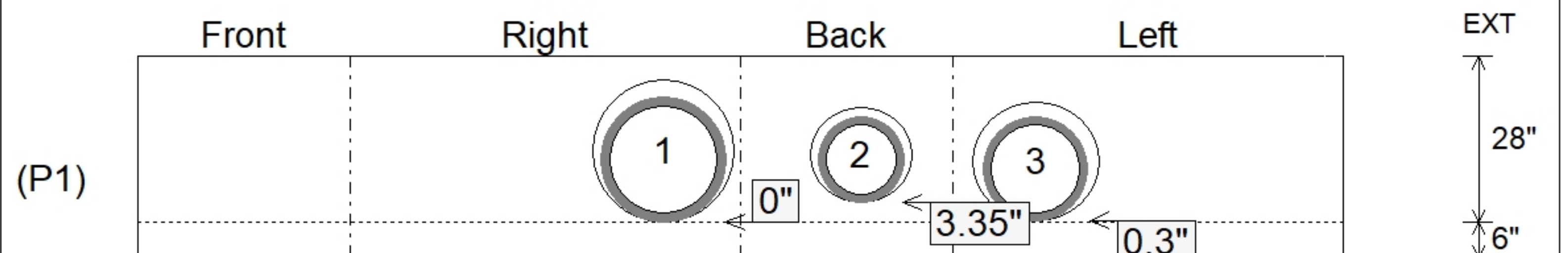
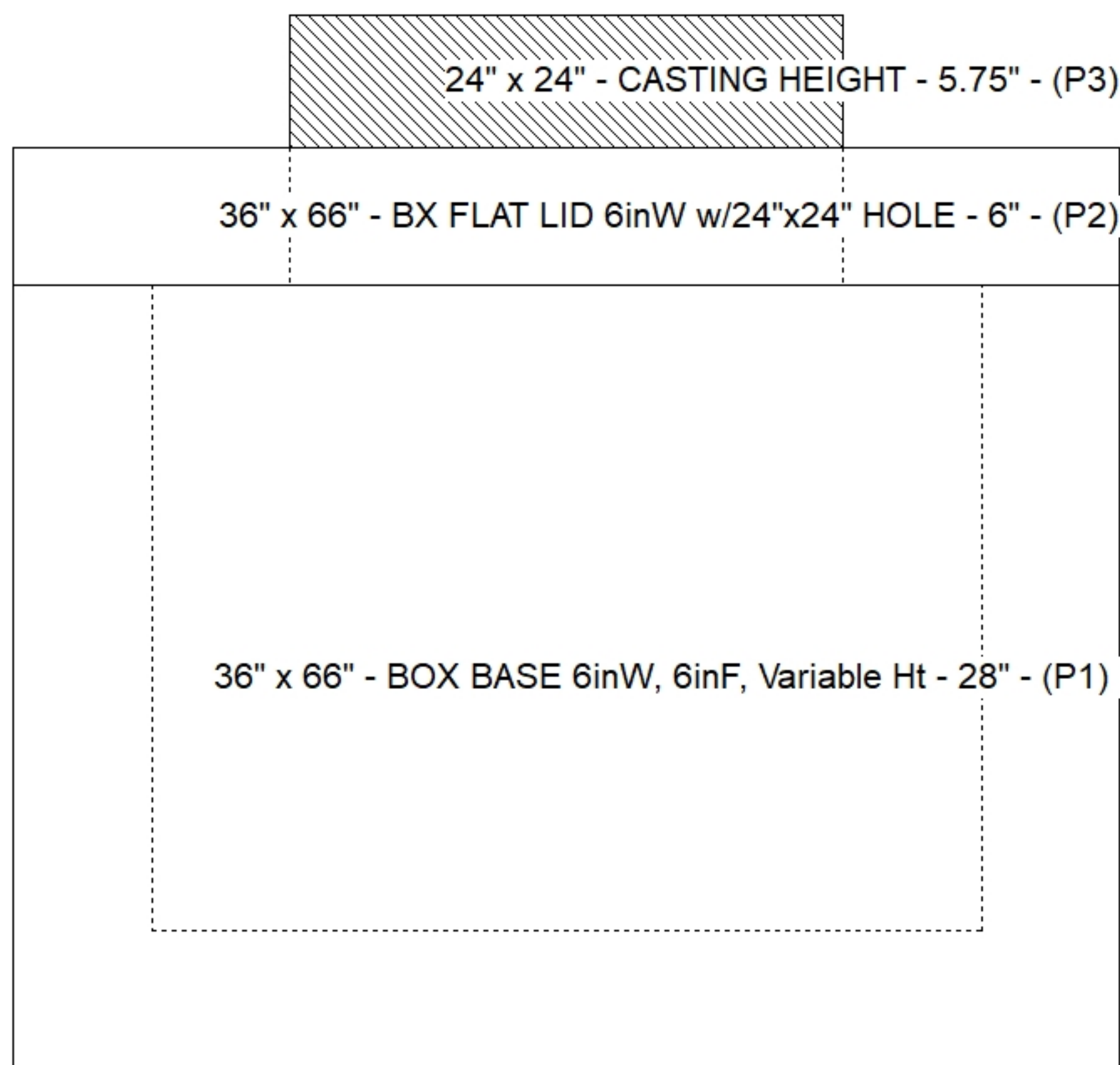
STRUCTURE SUMMARY:

| | |
|--|----------------|
| P3) 24" x 24" - CASTING HEIGHT - 5.75" | 0 lb |
| P2) 36" x 66" - BX FLAT LID 6inW w/24"x24" HOLE - 6" | 1595 lb |
| P1) 36" x 66" - BOX BASE 6inW, 6inF, Variable Ht - 28" | 4595 lb |
| 1) 36" x 66" - Conseal CS-102 1.00" | 0 lb |
| 1) 24" x 24" - Conseal CS-102 1.00" | 0 lb |
| 1) Hole - 24 | 0 lb |
| 1) Hole - 16 | 0 lb |
| 1) Hole - 20 | 0 lb |
| Structure Total: | 6190 lb |



| Position | Elev | Angle | Pipe | Pipe OD | Hole | Connector | Up () | Ref |
|----------|---------|-------|----------|---------|------|-----------|--------|-----|
| Rim | 504.95' | | | | | | | |
| Reducer | | | | | | | | |
| Invert 1 | 501.72' | 90° | 18" HDPE | 21.2" | 24" | Hole 24 | 0" | P1 |
| Invert 2 | 501.97' | 200° | 12" HDPE | 14.5" | 16" | Hole 16 | 3.35" | P1 |
| Invert 3 | 501.72' | 290° | 15" HDPE | 17.6" | 20" | Hole 20 | 0.3" | P1 |
| Invert 4 | | | | | | | | |
| Invert 5 | | | | | | | | |
| Invert 6 | | | | | | | | |
| Invert 7 | | | | | | | | |
| Invert 8 | | | | | | | | |

Default - Interior Dimensions



Submittal Drawing
 10/7/2025 10:21:37 AM

SUBMITTAL
 APPROVED BY: