

Job Name: 25-1172 - Midland Farms
Job Location: Somerset, KY 45203
Contractor: Weddle Enterprises, Inc

PC: C. Goff
 TECH: J. Horsley - F
 Plant: 100



Structure ID: **SSMH 2**
 Spec: Sanitary
 Type: SAN.MH
 Size: 48"

Rim: 952.1'
 Invert: 947.1'
 Rim to Invert: 5'

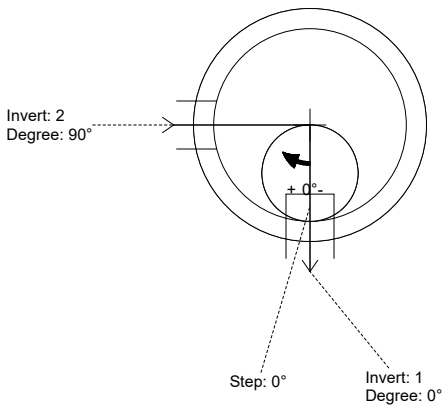
Sump: 2"
 Floor (Top): 946.933'
 Floor Height: 6"

Floor (Bot): 946.433'
 Overall Height: 5.583'
 Slack: 1"

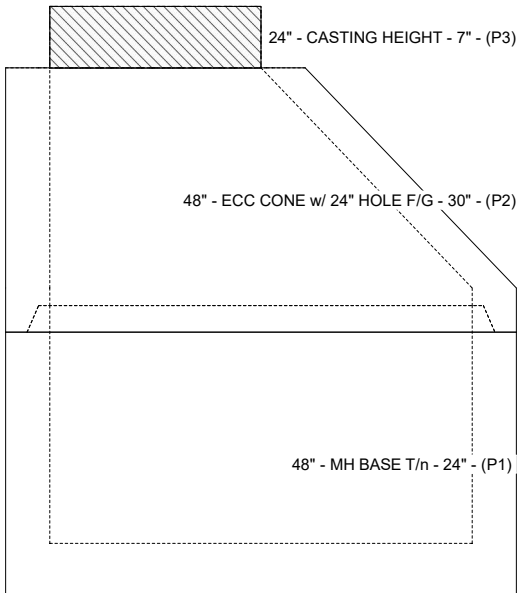
- Structure Notes:**
1. PER ASTM C-478 SPECIFICATIONS
 2. CONCRETE: 4,000 PSI AT 28 DAYS
 3. REINFORCEMENT: PER ASTM A615
 4. STEPS AT 0 DEGREES
 5. INVERT CHANNEL REQUIRED
 6. CASTING SUPPLIED BY OTHERS (7" FRAME & SOLID COVER)

STRUCTURE SUMMARY:

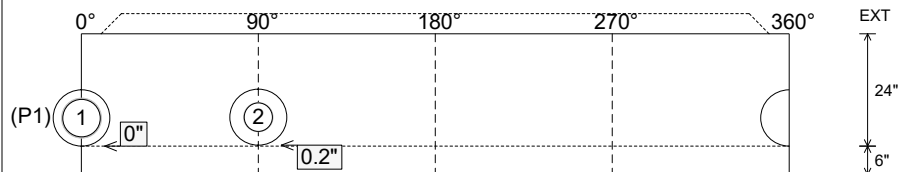
P3) 24" - CASTING HEIGHT - 7"	0 lb
P2) 48" - ECC CONE w/ 24" HOLE F/G - 30"	2050 lb
P1) 48" - MH BASE T/n - 24"	2911 lb
1) 48" - MH INVERT CHANNEL - FULL HEIGHT	1440 lb
1) JOINT WRAP - 0.065"x6"x50' CONSEAL CS212	0 lb
1) JOINT WRAP PRIMER - CONSEAL CS-75 (1 gal.)	0 lb
1) 48" - Conseal CS-102 1.00" (Double)	8 lb
1) PSX - 12-08 NYLO	8 lb
1) PSX - 12-06 NYLO	8 lb
1) MH Step ML-10-TDS-NCR - 10"	0 lb
Structure Total:	6417 lb



Position	Elev	Angle	Pipe	Pipe OD	Hole	Connector	Up (L)	Ref
Rim	952.1'							
Reducer								
Invert 1	947.1'	0°	8" PVC SDR35	8.5"	12"	PSX 12-08 NYLO	0"	P1
Invert 2	947.2'	90°	6" PVC SDR35	6.25"	12"	PSX 12-06 NYLO	0.2"	P1
Invert 3								
Invert 4								
Invert 5								
Invert 6								
Invert 7								
Invert 8								



Cast (Int. Dim.) - Interior Dimensions



Submittal Drawing
 12/15/2025 12:23:15 PM

SUBMITTAL
 APPROVED BY: