

**Job Name: 25-1172 - Midland Farms**  
**Job Location: Somerset, KY 45203**  
**Contractor: Weddle Enterprises, Inc**

PC: C. Goff  
 TECH: J. Horsley - F  
 Plant: 100



Structure ID: **CB 1**

Spec: Storm  
 Type: STM.MH (Recessed pipe)  
 Size: 48"

Rim: 949.5'  
 Invert: 945.5'  
 Rim to Invert: 4'

Sump: 0"  
 Floor (Top): 945.5'  
 Floor Height: 6"

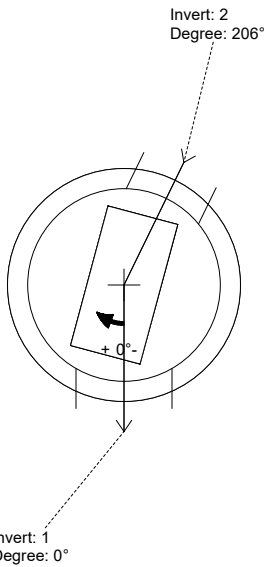
Floor (Bot): 945'  
 Overall Height: 4.458'  
 Slack: 0.5"

Structure Notes:

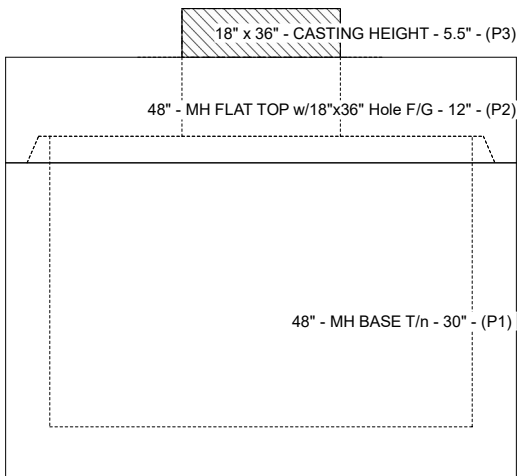
1. PER ASTM C-478 SPECIFICATIONS
2. CONCRETE: 4,000 PSI AT 28 DAYS
3. REINFORCEMENT: PER ASTM A615
4. NO STEPS & NO INVERT CHANNEL
5. CASTING SUPPLIED BY OTHERS (HOE 580-A FRAME & GRATE)

STRUCTURE SUMMARY:

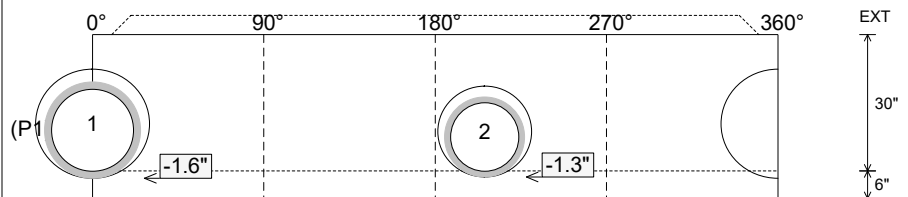
- P3) 18" x 36" - CASTING HEIGHT - 5.5" 0 lb
  - P2) 48" - MH FLAT TOP w/18"x36" Hole F/G - 12" 2008 lb
  - P1) 48" - MH BASE T/n - 30" 3093 lb
  - 1) 48" - Conseal CS-102 1.00" 0 lb
  - 1) 18" x 36" - Conseal CS-102 1.00" 0 lb
  - 1) Hole - 24 0 lb
  - 1) Hole - 20 0 lb
- Structure Total: 5101 lb



Position	Elev	Angle	Pipe	Pipe OD	Hole	Connector	Up (L)	Ref
Rim	949.5'							
Reducer								
Invert 1	945.5'	0°	18" HDPE	21.2"	24"	Hole 24	-1.6"	P1
Invert 2	945.5'	206°	15" HDPE	17.6"	20"	Hole 20	-1.3"	P1
Invert 3								
Invert 4								
Invert 5								
Invert 6								
Invert 7								
Invert 8								



Cast (Int. Dim.) - Interior Dimensions



Submittal Drawing  
 12/15/2025 12:23:11 PM

SUBMITTAL  
 APPROVED BY: