

**Job Name: 25-1154 Perryville ADA Restroom Facility**  
**Job Location: Perryville, KY**  
**Contractor: Apex Plumbing Solutions**

PC: J. Jarvis  
 TECH: J. Coppage  
 Plant: Beaver Dam, KY



Structure ID: D  
 Spec: Sanitary  
 Type: SAN.MH w/ConBlock-CDA Red  
 Size: 48"

Rim: 867'  
 Invert: 864.13'  
 Rim to Invert: 2.87'

Sump: 4"  
 Floor (Top): 863.797'  
 Floor Height: 6"

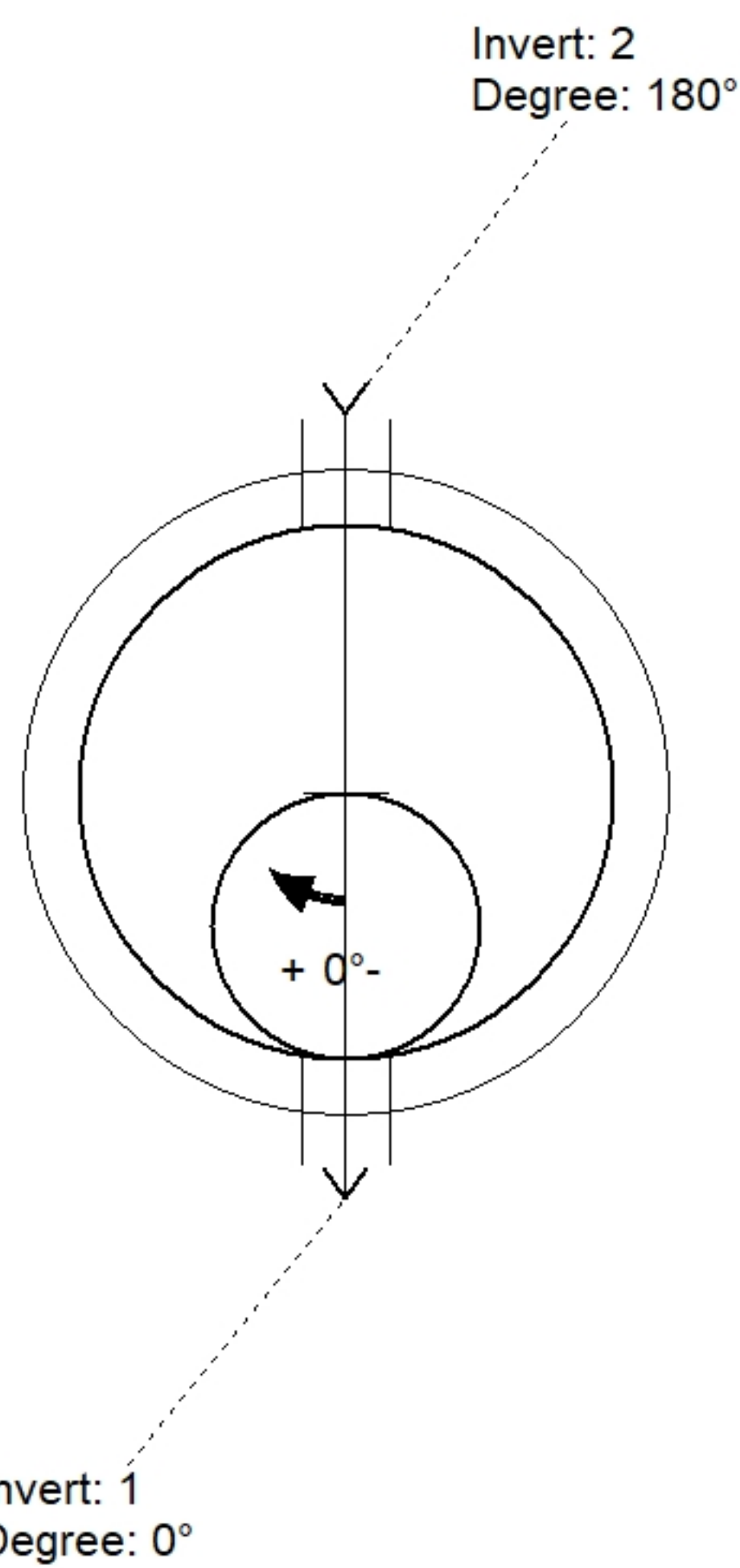
Floor (Bot): 863.297'  
 Overall Height: 3.583'  
 Slack: 1.44"

**Structure Notes:**

1. JR HOE MC-315 SANITARY BY ICAST.
2. PER ASTM C478 SPECIFICATIONS.
3. CONCRETE = 4,500 PSI AT 28 DAYS.
4. ADMIXTURE = CONBLOCK CDA RED.
5. REINFORCING PER ASTM A615 (GRADE 60).  
 - TOP SLAB (As .62) #5 BARS AT 6" C.C.E.W..  
 - RISER/WALLS (As .12)  
 - FLOOR (As .31) #5 BARS AT 12" C.C.E.W.
6. DIRECT DRIVE BOOTS TO HAVE DOUBLE EXTERNAL STEEL BANDS SUPPLIED BY ICAST.
7. **\*\*NO STEPS\*\***

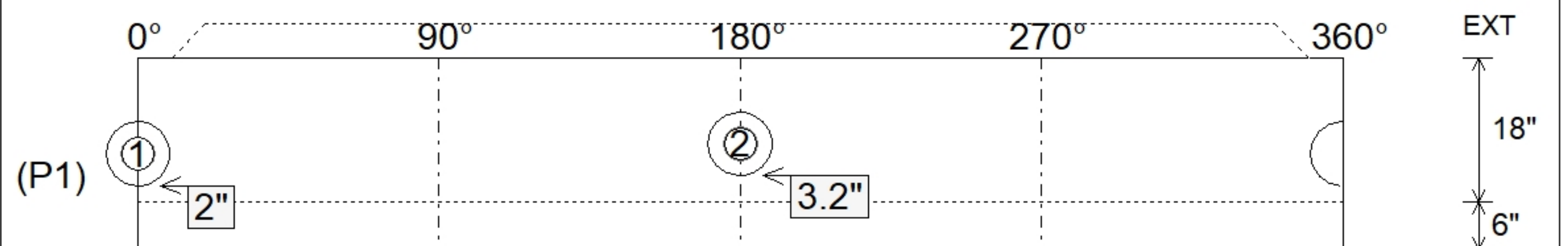
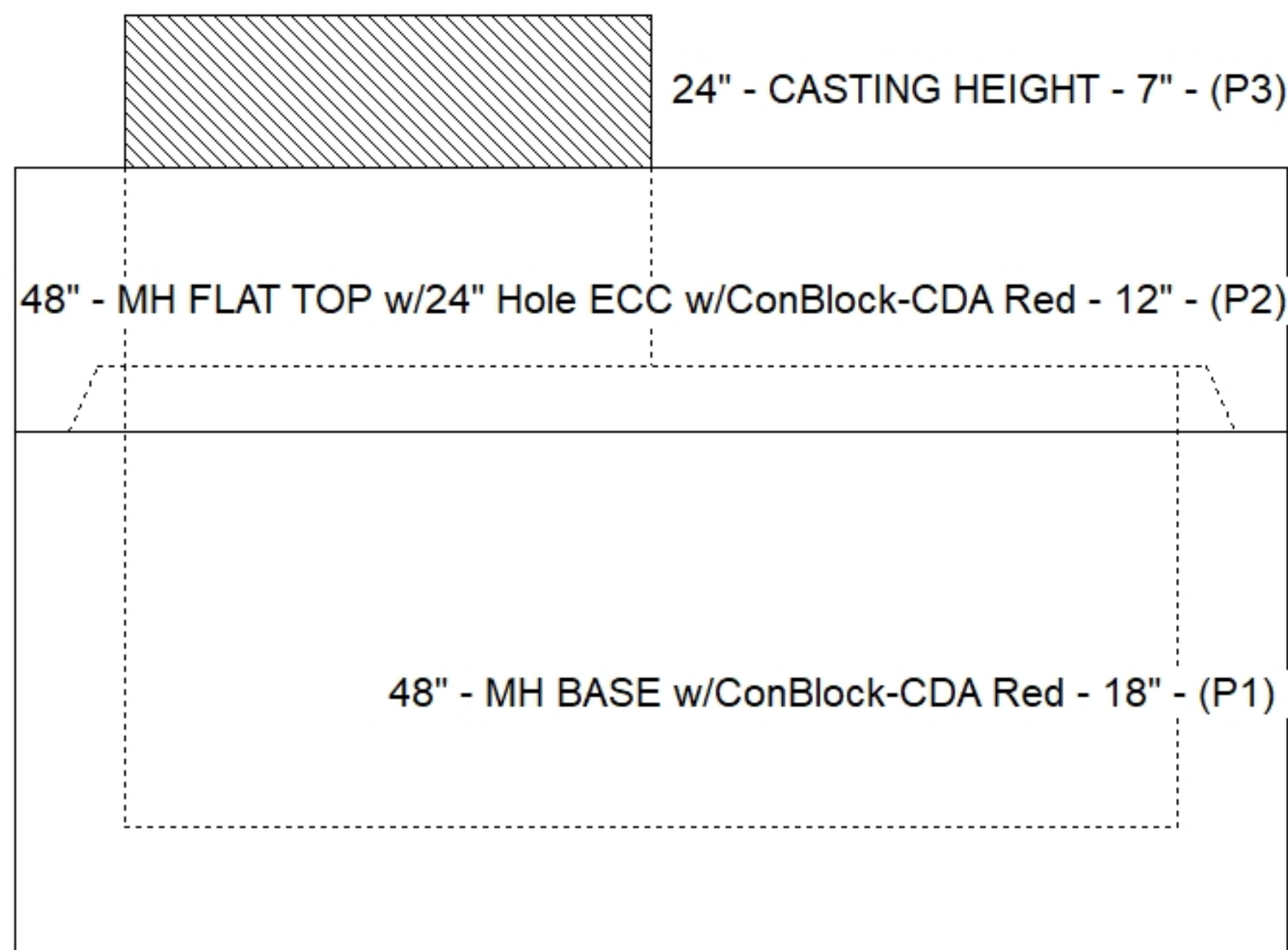
**STRUCTURE SUMMARY:**

P3) 24" - CASTING HEIGHT - 7"	0 lb
P2) 48" - MH FLAT TOP w/24" Hole ECC w/ConBlock-CDA Red - 12"	1580 lb
P1) 48" - MH BASE w/ConBlock-CDA Red - 18"	2545 lb
1) 48" - MH INVERT CHANNEL w/ConBlock-CDA Red - FULL HEIGHT	1440 lb
1) JOINT WRAP - 0.065"x6"x50' CONSEAL CS212	0 lb
1) JOINT WRAP PRIMER - CONSEAL CS-75 (1 gal.)	0 lb
1) 48" - Con Seal CS-102 1.00" (Double)	0 lb
2) PSX - 8QRS DD	13 lb
<b>Structure Total:</b>	<b>5578 lb</b>



Position	Elev	Angle	Pipe	Pipe OD	Hole	Connector	Up (")	Ref
Rim	867'							
Reducer								
Invert 1	864.13'	0°	4" PVC SDR35	4.25"	8"	PSX 8QRS DD	2"	P1
Invert 2	864.23'	180°	4" PVC SDR35	4.25"	8"	PSX 8QRS DD	3.2"	P1
Invert 3								
Invert 4								
Invert 5								
Invert 6								
Invert 7								
Invert 8								

**Default - Interior Dimensions**



Submittal Drawing  
 11/11/2025 11:11:15 AM

SUBMITTAL  
 APPROVED BY: