

Job Name: 25-1154 Perryville ADA Restroom Facility
 Job Location: Perryville, KY
 Contractor: Apex Plumbing Solutions

Plant: Beaver Dam, KY
 11/11/2025 8:21:56 AM

Tech: J. Coppage
 PC: J. Jarvis



Structure ID: D

P1 MH048BA18CDARED

MH BASE w/ConBlock-CDA Red

- P3) 24" - CASTING HEIGHT - 7"
- P2) 48" - MH FLAT TOP w/24" Hole ECC w/ConBlock-CDA Red - 12"
- P1) 48" - MH BASE w/ConBlock-CDA Red - 18"
- 1) 48" - MH INVERT CHANNEL w/ConBlock-CDA Red - FULL HEIGHT
- 1) JOINT WRAP - 0.065"x6"x50' CONSEAL CS212
- 1) JOINT WRAP PRIMER - CONSEAL CS-75 (1 gal.)
- 1) 48" - Conseal CS-102 1.00" (Double)
- 2) PSX - 8QRS DD

0 lb
 1580 lb
 2545 lb
 1440 lb
 0 lb
 0 lb
 0 lb
 0 lb
 13 lb
 Structure Total: 5578 lb

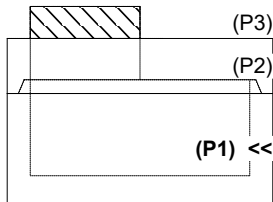
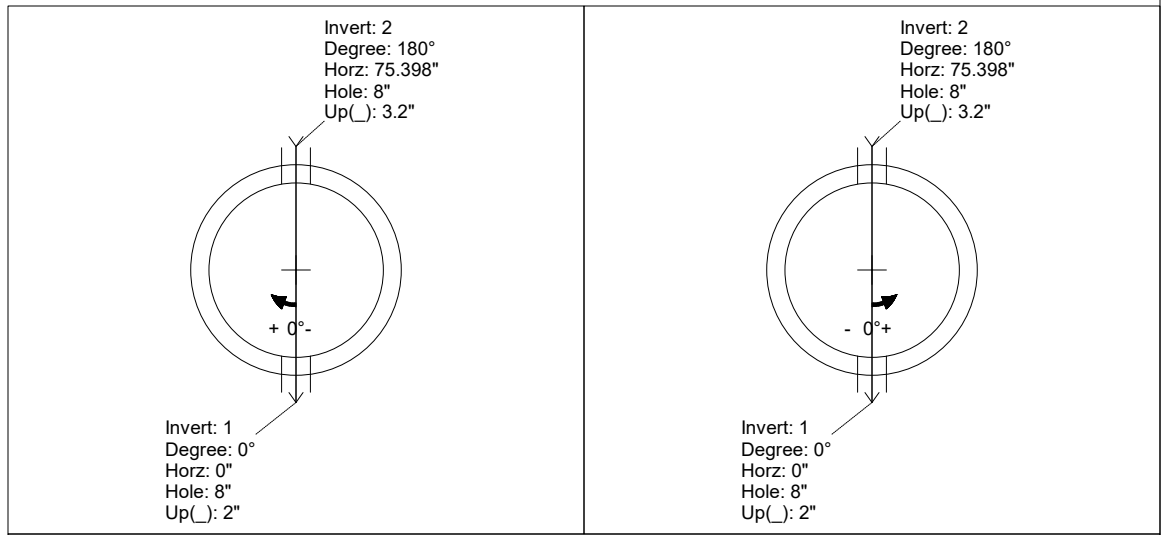
- Structure Notes:**
1. JR HOE MC-315 SANITARY BY ICAST.
 2. PER ASTM C478 SPECIFICATIONS.
 3. CONCRETE = 4,500 PSI AT 28 DAYS.
 4. ADMIXTURE = CONBLOCK CDA RED.
 5. REINFORCING PER ASTM A615 (GRADE 60).
 - TOP SLAB (As .62) #5 BARS AT 6" C.C.E.W..
 - RISER/WALLS (As .12)
 - FLOOR (As .31) #5 BARS AT 12" C.C.E.W.
 6. DIRECT DRIVE BOOTS TO HAVE DOUBLE EXTERNAL STEEL BANDS SUPPLIED BY ICAST.
 7. **NO STEPS**

Rim: 867' Rim to Invert: 2.87' Slack: 1.44" Sump: 4" Step Position:

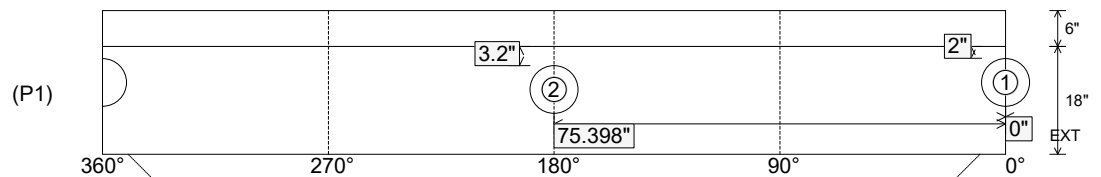
Position	Elev	Angle	Ext. (cw)	Pipe	Pipe OD	Connector	Hole	Horz Size	Up ()	Offset
Invert 1	864.13'	0°	0"	4" PVC SDR35	4.25"	PSX 8QRS DD	8"	8.038"	2"	0"
Invert 2	864.23'	180°	91.106"	4" PVC SDR35	4.25"	PSX 8QRS DD	8"	8.038"	3.2"	0"
Invert 3										
Invert 4										
Invert 5										
Invert 6										
Invert 7										
Invert 8										

RIGHT-SIDE UP VIEW (int. dimensions)

UPSIDE-DOWN VIEW (int. dimensions)



INSIDE WALL DIMENSIONS



Coating (Int):
 Coating (Ext):

Seam Up: Tongue
 Seam Dn: n/a

Wall Thickness: 5"
 Floor Height: 6"

Height (Int): 18"
 Height (Ext): 24"

Weight (Net): 2545 lb
 Volume (Net): 0.65cu.yd

Structure ID: D

P1 MH048BA18CDARED

MH BASE w/ConBlock-CDA Red

- | | |
|---|--|
| P3) 24" - CASTING HEIGHT - 7"
P2) 48" - MH FLAT TOP w/24" Hole ECC w/ConBlock-CDA Red - 12"
P1) 48" - MH BASE w/ConBlock-CDA Red - 18"
1) 48" - MH INVERT CHANNEL w/ConBlock-CDA Red - FULL HEIGHT
1) JOINT WRAP - 0.065"x6"x50" CONSEAL CS212
1) JOINT WRAP PRIMER - CONSEAL CS-75 (1 gal.)
1) 48" - Conseal CS-102 1.00" (Double)
2) PSX - 8QRS DD | 0 lb
1580 lb
2545 lb
1440 lb
0 lb
0 lb
0 lb
0 lb
13 lb
<hr style="width: 50%; margin-left: 0;"/> Structure Total: 5578 lb |
|---|--|

- Structure Notes:**
1. JR HOE MC-315 SANITARY BY ICAST.
 2. PER ASTM C478 SPECIFICATIONS.
 3. CONCRETE = 4,500 PSI AT 28 DAYS.
 4. ADMIXTURE = CONBLOCK CDA RED.
 5. REINFORCING PER ASTM A615 (GRADE 60).
 - TOP SLAB (As .62) #5 BARS AT 6" C.C.E.W..
 - RISER/WALLS (As .12)
 - FLOOR (As .31) #5 BARS AT 12" C.C.E.W.
 6. DIRECT DRIVE BOOTS TO HAVE DOUBLE EXTERNAL STEEL BANDS SUPPLIED BY ICAST.
 7. ****NO STEPS****

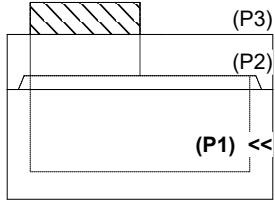
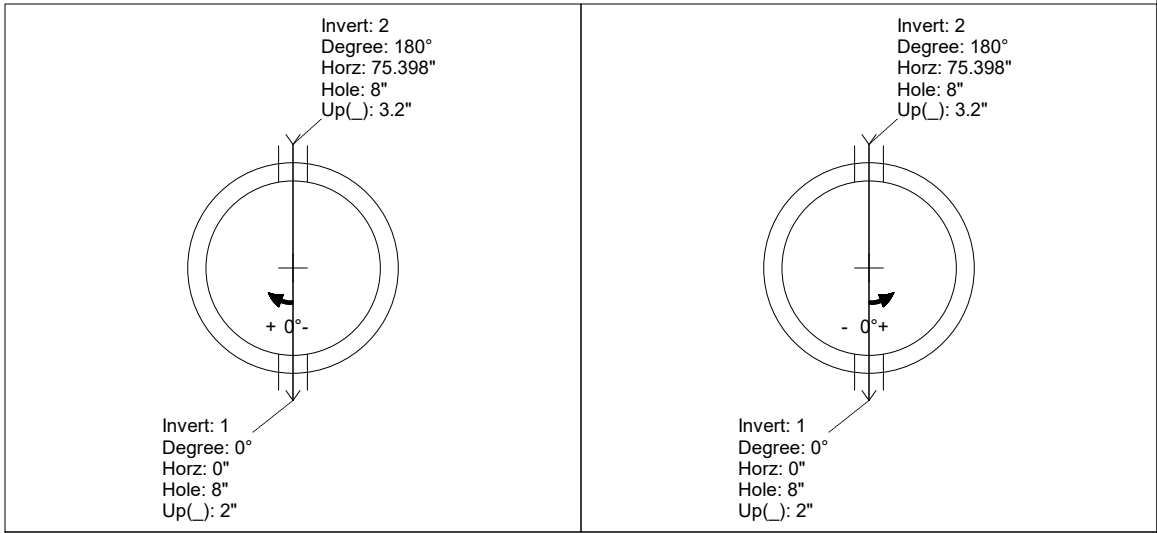
**INVERT CHANNEL DRAWING
FULL HEIGHT INVERT**

Rim: 867' Rim to Invert: 2.87' Slack: 1.44" Sump: 4" Step Position:

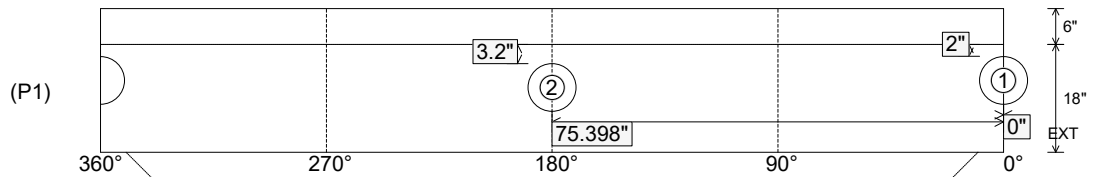
Position	Elev	Angle	Ext. (cw)	Pipe	Pipe OD	Connector	Hole	Horz Size	Up ()	Offset
Invert 1	864.13'	0°	0"	4" PVC SDR35	4.25"	PSX 8QRS DD	8"	8.038"	2"	0"
Invert 2	864.23'	180°	91.106"	4" PVC SDR35	4.25"	PSX 8QRS DD	8"	8.038"	3.2"	0"
Invert 3										
Invert 4										
Invert 5										
Invert 6										
Invert 7										
Invert 8										

RIGHT-SIDE UP VIEW (int. dimensions)

UPSIDE-DOWN VIEW (int. dimensions)



INSIDE WALL DIMENSIONS



Coating (Int): Coating (Ext):	Seam Up: Tongue Seam Dn: n/a	Wall Thickness: 5" Floor Height: 6"	Height (Int): 18" Height (Ext): 24"	Weight (Net): 2545 lb Volume (Net): 0.65cu.yd
----------------------------------	---------------------------------	--	--	--