

Job Name: 25-1154 Perryville ADA Restroom Facility
 Job Location: Perryville, KY
 Contractor: Apex Plumbing Solutions

Plant: Beaver Dam, KY
 11/11/2025 8:21:56 AM

Tech: J. Coppage
 PC: J. Jarvis



Structure ID: C

P1 MH048BAVFCDARED

MH BASE Custom Ht, w/ConBlock-CDA Red

- P3) 24" - CASTING HEIGHT - 7"
- P2) 48" - MH FLAT TOP w/24" Hole ECC w/ConBlock-CDA Red - 7"
- P1) 48" - MH BASE Custom Ht, w/ConBlock-CDA Red - 16"
- 1) 48" - MH INVERT CHANNEL w/ConBlock-CDA Red - FULL HEIGHT
- 1) JOINT WRAP - 0.065"x6"x50' CONSEAL CS212
- 1) JOINT WRAP PRIMER - CONSEAL CS-75 (1 gal.)
- 1) 48" - Conseal CS-102 1.00" (Double)
- 3) PSX - 8QRS DD

0 lb
 1286 lb
 2384 lb
 1440 lb
 0 lb
 0 lb
 0 lb
 0 lb
 20 lb
 Structure Total: 5130 lb

Structure Notes:

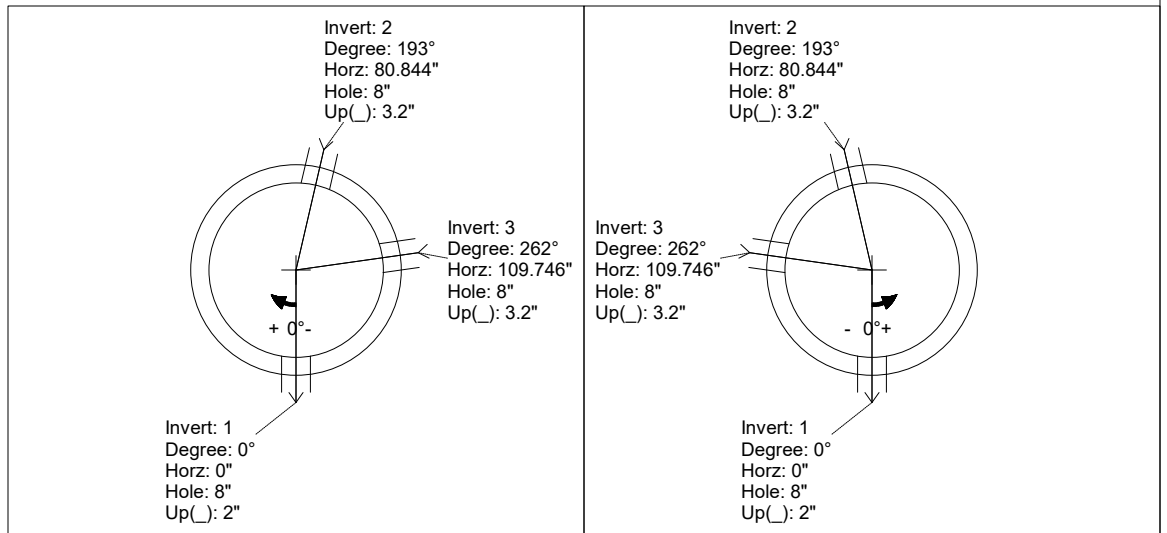
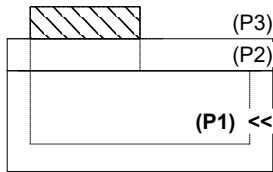
1. JR HOE MC-315 SANITARY BY ICAST.
2. PER ASTM C478 SPECIFICATIONS.
3. CONCRETE = 4,500 PSI AT 28 DAYS.
4. ADMIXTURE = CONBLOCK CDA RED.
5. REINFORCING PER ASTM A615 (GRADE 60).
 - TOP SLAB (As .62) #5 BARS AT 6" C.C.E.W..
 - RISER/WALLS (As .12)
 - FLOOR (As .31) #5 BARS AT 12" C.C.E.W.
6. DIRECT DRIVE BOOTS TO HAVE DOUBLE EXTERNAL STEEL BANDS SUPPLIED BY ICAST.
7. **NO STEPS**

Rim: 867.85' Rim to Invert: 2.17' Slack: 0.04" Sump: 4" Step Position:

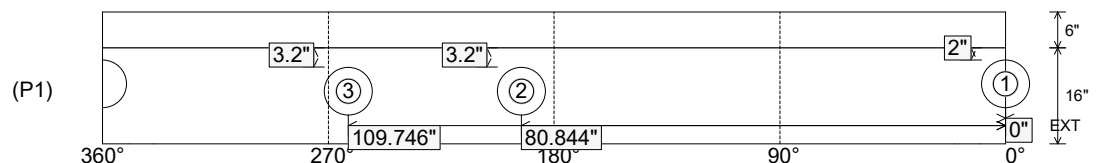
Position	Elev	Angle	Ext. (cw)	Pipe	Pipe OD	Connector	Hole	Horz Size	Up (↓)	Offset
Invert 1	865.68'	0°	0"	4" PVC SDR35	4.25"	PSX 8QRS DD	8"	8.038"	2"	0"
Invert 2	865.78'	193°	97.686"	4" PVC SDR35	4.25"	PSX 8QRS DD	8"	8.038"	3.2"	0"
Invert 3	865.78'	262°	132.61"	4" PVC SDR35	4.25"	PSX 8QRS DD	8"	8.038"	3.2"	0"
Invert 4										
Invert 5										
Invert 6										
Invert 7										
Invert 8										

RIGHT-SIDE UP VIEW (int. dimensions)

UPSIDE-DOWN VIEW (int. dimensions)



INSIDE WALL DIMENSIONS



Coating (Int):
 Coating (Ext):

Seam Up: Flat
 Seam Dn: n/a

Wall Thickness: 5"
 Floor Height: 6"

Height (Int): 16"
 Height (Ext): 22"

Weight (Net): 2384 lb
 Volume (Net): 0.61cu.yd

Job Name: 25-1154 Perryville ADA Restroom Facility
 Job Location: Perryville, KY
 Contractor: Apex Plumbing Solutions

Plant: Beaver Dam, KY
 11/11/2025 8:21:56 AM

Tech: J. Coppage
 PC: J. Jarvis



Structure ID: C

P1 MH048BAVFCDARED

MH BASE Custom Ht, w/ConBlock-CDA Red

- P3) 24" - CASTING HEIGHT - 7"
- P2) 48" - MH FLAT TOP w/24" Hole ECC w/ConBlock-CDA Red - 7"
- P1) 48" - MH BASE Custom Ht, w/ConBlock-CDA Red - 16"
- 1) 48" - MH INVERT CHANNEL w/ConBlock-CDA Red - FULL HEIGHT
- 1) JOINT WRAP - 0.065"x6"x50' CONSEAL CS212
- 1) JOINT WRAP PRIMER - CONSEAL CS-75 (1 gal.)
- 1) 48" - Conseal CS-102 1.00" (Double)
- 3) PSX - 8QRS DD

0 lb
 1286 lb
 2384 lb
 1440 lb
 0 lb
 0 lb
 0 lb
 0 lb
 20 lb
 Structure Total: 5130 lb

Structure Notes:

1. JR HOE MC-315 SANITARY BY ICAST.
2. PER ASTM C478 SPECIFICATIONS.
3. CONCRETE = 4,500 PSI AT 28 DAYS.
4. ADMIXTURE = CONBLOCK CDA RED.
5. REINFORCING PER ASTM A615 (GRADE 60).
 - TOP SLAB (As .62) #5 BARS AT 6" C.C.E.W..
 - RISER/WALLS (As .12)
 - FLOOR (As .31) #5 BARS AT 12" C.C.E.W.
6. DIRECT DRIVE BOOTS TO HAVE DOUBLE EXTERNAL STEEL BANDS SUPPLIED BY ICAST.
7. **NO STEPS**

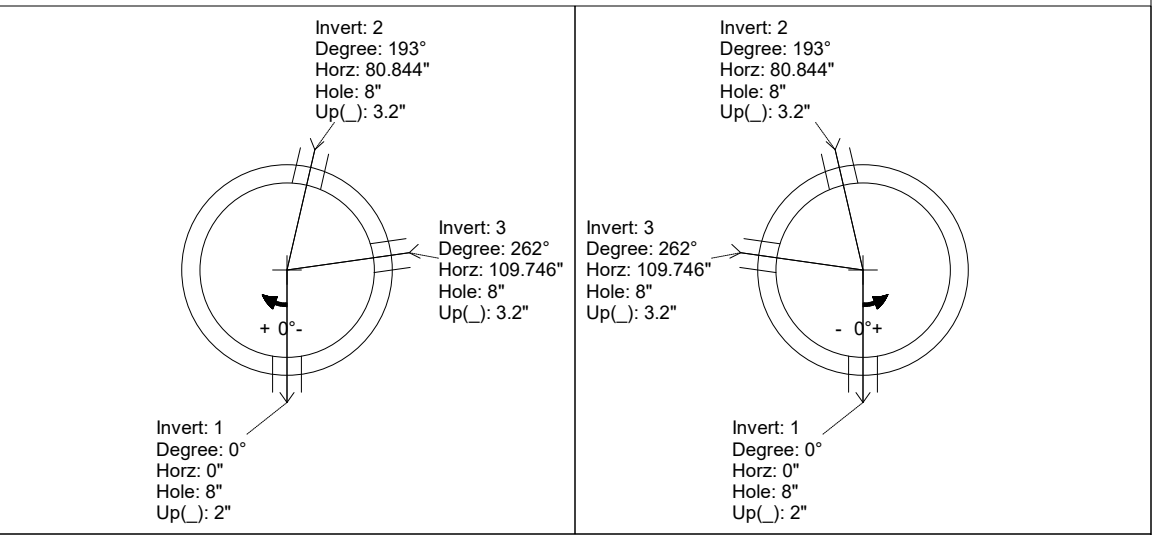
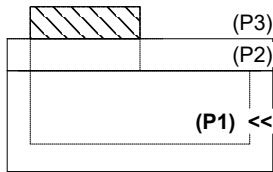
**INVERT CHANNEL DRAWING
 FULL HEIGHT INVERT**

Rim: 867.85' Rim to Invert: 2.17' Slack: 0.04" Sump: 4" Step Position:

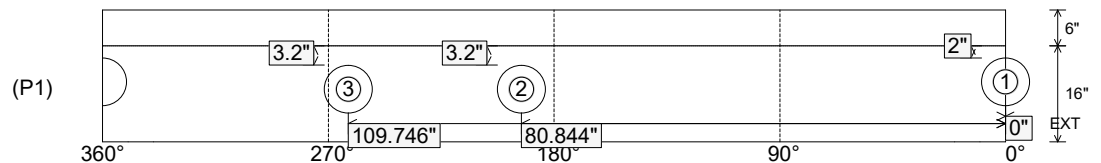
Position	Elev	Angle	Ext. (cw)	Pipe	Pipe OD	Connector	Hole	Horz Size	Up (↓)	Offset
Invert 1	865.68'	0°	0"	4" PVC SDR35	4.25"	PSX 8QRS DD	8"	8.038"	2"	0"
Invert 2	865.78'	193°	97.686"	4" PVC SDR35	4.25"	PSX 8QRS DD	8"	8.038"	3.2"	0"
Invert 3	865.78'	262°	132.61"	4" PVC SDR35	4.25"	PSX 8QRS DD	8"	8.038"	3.2"	0"
Invert 4										
Invert 5										
Invert 6										
Invert 7										
Invert 8										

RIGHT-SIDE UP VIEW (int. dimensions)

UPSIDE-DOWN VIEW (int. dimensions)



INSIDE WALL DIMENSIONS



Coating (Int):
 Coating (Ext):

Seam Up: Flat
 Seam Dn: n/a

Wall Thickness: 5"
 Floor Height: 6"

Height (Int): 16"
 Height (Ext): 22"

Weight (Net): 2384 lb
 Volume (Net): 0.61cu.yd