

Job Name: 25-1154 Perryville ADA Restroom Facility
Job Location: Perryville, KY
Contractor: Apex Plumbing Solutions

PC: J. Jarvis
 TECH: J. Coppage
 Plant: Beaver Dam, KY



Structure ID: B2

Spec: Sanitary
 Type: SAN.MH w/ConBlock-CDA Red
 Size: 48"

Rim: 870'
 Invert: 865.9'
 Rim to Invert: 4.1'

Sump: 4"
 Floor (Top): 865.567'
 Floor Height: 6"

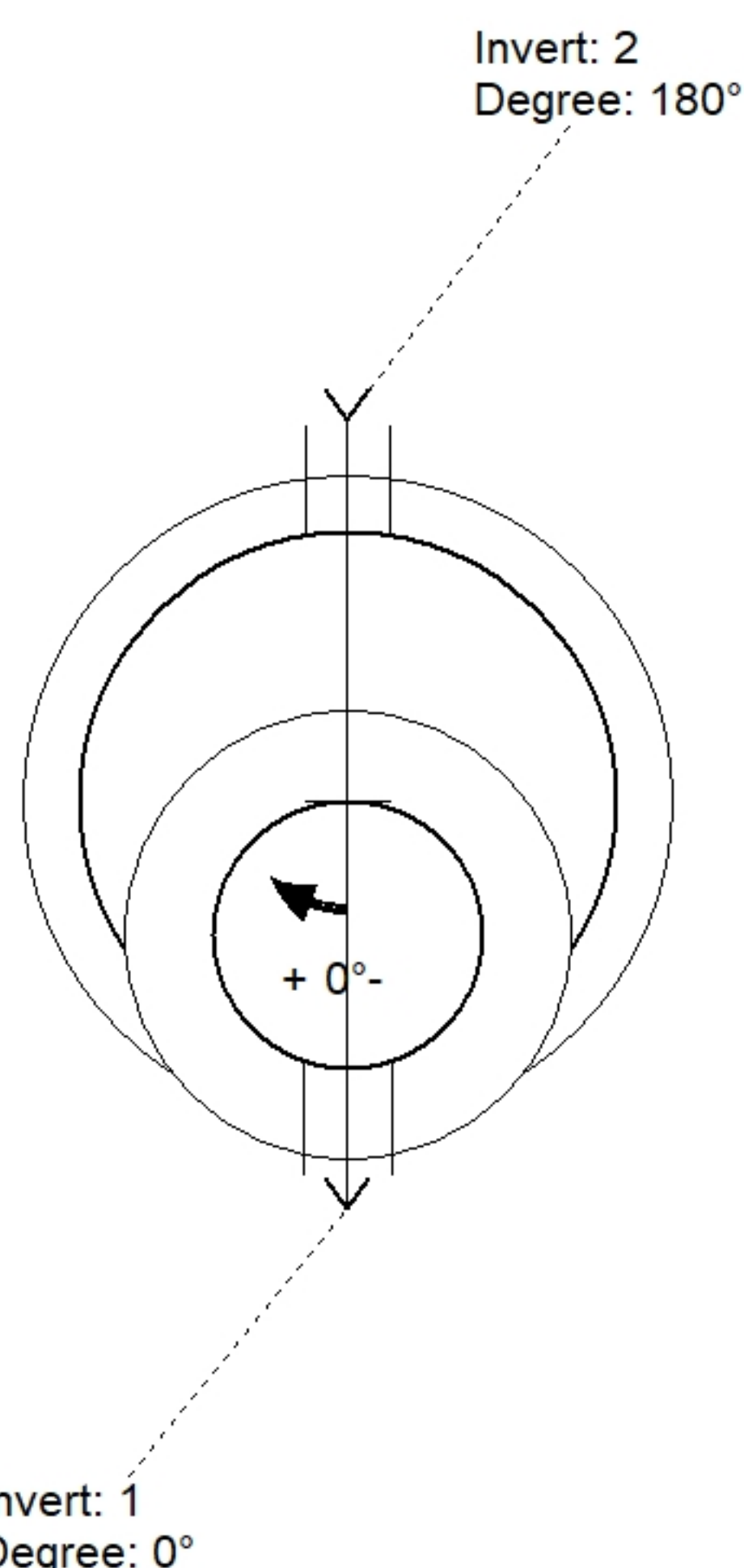
Floor (Bot): 865.067'
 Overall Height: 4.917'
 Slack: 0.2"

Structure Notes:

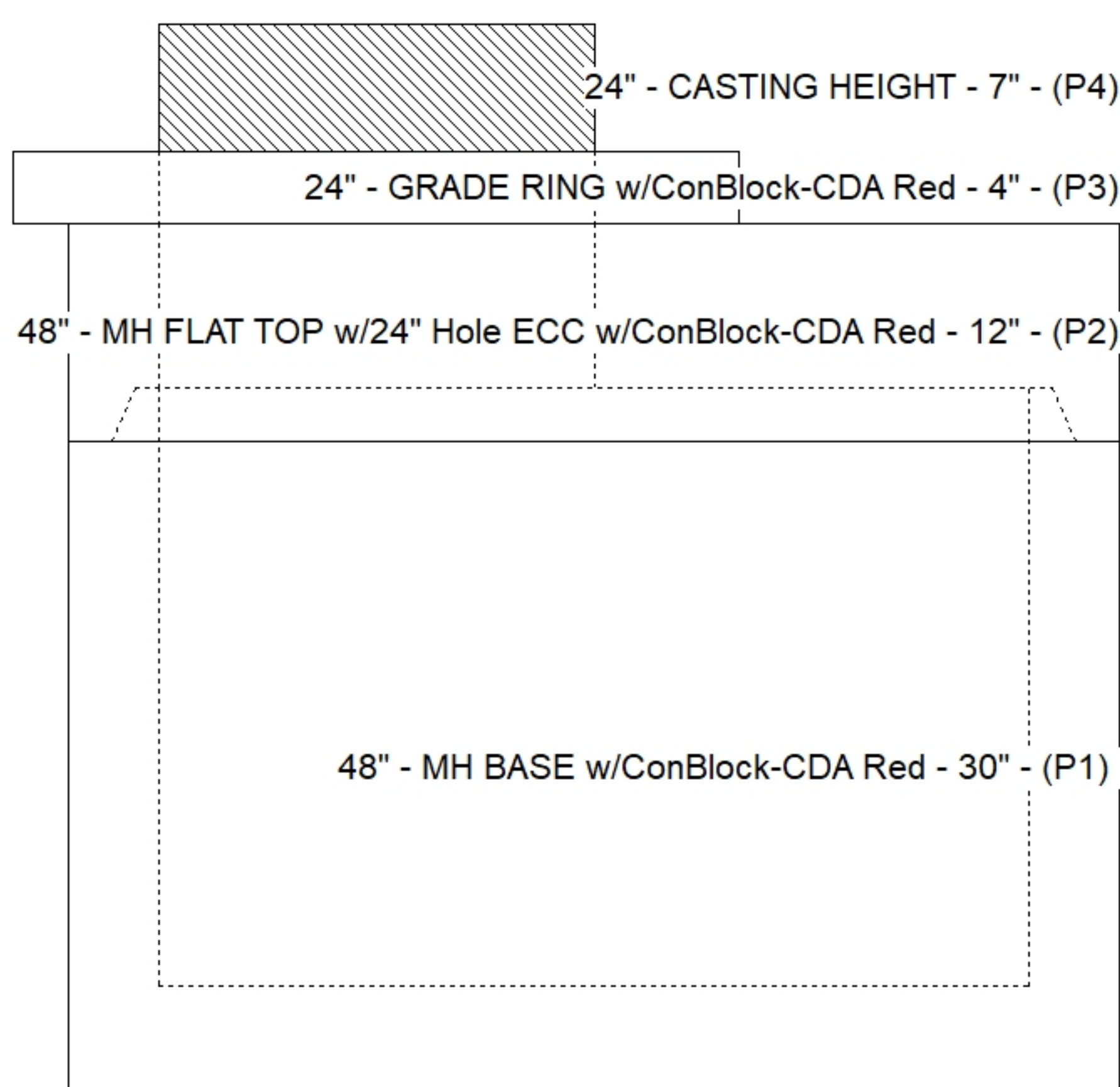
1. JR HOE MC-315 SANITARY BY ICAST.
2. PER ASTM C478 SPECIFICATIONS.
3. CONCRETE = 4,500 PSI AT 28 DAYS.
4. ADMIXTURE = CONBLOCK CDA RED.
5. REINFORCING PER ASTM A615 (GRADE 60).
 - TOP SLAB (As .62) #5 BARS AT 6" C.C.E.W..
 - RISER/WALLS (As .12)
 - FLOOR (As .31) #5 BARS AT 12" C.C.E.W.
6. DIRECT DRIVE BOOTS TO HAVE
 DOUBLE EXTERNAL STEEL BANDS
 SUPPLIED BY ICAST.
7. ****NO STEPS****

STRUCTURE SUMMARY:

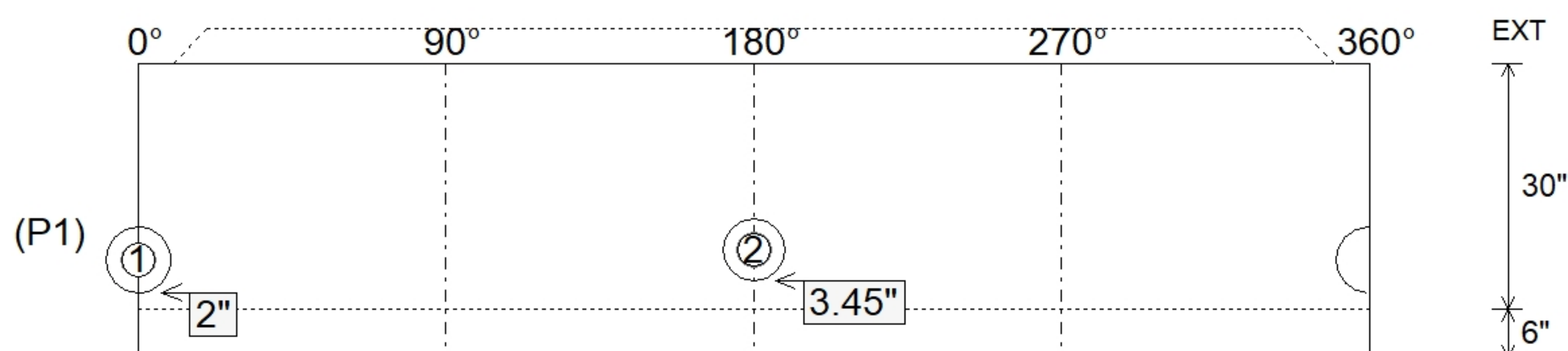
P4) 24" - CASTING HEIGHT - 7"	0 lb
P3) 24" - GRADE RING w/ConBlock-CDA Red - 4"	270 lb
P2) 48" - MH FLAT TOP w/24" Hole ECC w/ConBlock-CDA Red - 12"	1580 lb
P1) 48" - MH BASE w/ConBlock-CDA Red - 30"	3386 lb
1) 48" - MH INVERT CHANNEL w/ConBlock-CDA Red - FULL HEIGHT	1440 lb
1) JOINT WRAP - 0.065"x6"x50' CONSEAL CS212	0 lb
1) JOINT WRAP PRIMER - CONSEAL CS-75 (1 gal.)	0 lb
1) 48" - Conseal CS-102 1.00" (Double)	0 lb
1) PSX - 8QRS DD	6 lb
1) Quik-Lok - QL-04-C	1 lb
Structure Total:	6684 lb



Position	Elev	Angle	Pipe	Pipe OD	Hole	Connector	Up (")	Ref
Rim	870'							
Reducer								
Invert 1	865.9'	0°	4" PVC SDR35	4.25"	8"	PSX 8QRS DD	2"	P1
Invert 2	866'	180°	4" PVC SDR35	4.25"	7.5"	Quik-Lok QL-04-C	3.45"	P1
Invert 3								
Invert 4								
Invert 5								
Invert 6								
Invert 7								
Invert 8								



Default - Interior Dimensions



Submittal Drawing
 11/11/2025 11:11:14 AM

SUBMITTAL
 APPROVED BY: