

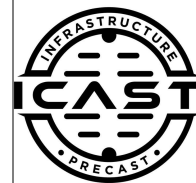
Job Name: 25-1154 Perryville ADA Restroom Facility
 Job Location: Perryville, KY
 Contractor: Apex Plumbing Solutions

Plant: Beaver Dam, KY

Tech: J. Coppage

11/11/2025 8:21:55 AM

PC: J. Jarvis



Structure ID: B2

P1 MH048BA30CDARED

MH BASE w/ConBlock-CDA Red

- P4) 24" - CASTING HEIGHT - 7" 0 lb
- P3) 24" - GRADE RING w/ConBlock-CDA Red - 4" 270 lb
- P2) 48" - MH FLAT TOP w/24" Hole ECC w/ConBlock-CDA Red - 12" 1580 lb
- P1) 48" - MH BASE w/ConBlock-CDA Red - 30" 3386 lb
- 1) 48" - MH INVERT CHANNEL w/ConBlock-CDA Red - FULL HEIGHT 1440 lb
- 1) JOINT WRAP - 0.065"x6"x50' CONSEAL CS212 0 lb
- 1) JOINT WRAP PRIMER - CONSEAL CS-75 (1 gal.) 0 lb
- 1) 48" - Conseal CS-102 1.00" (Double) 0 lb
- 1) PSX - 8QRS DD 6 lb
- 1) Quik-Lok - QL-04-C 1 lb

Structure Total: 6684 lb

Structure Notes:

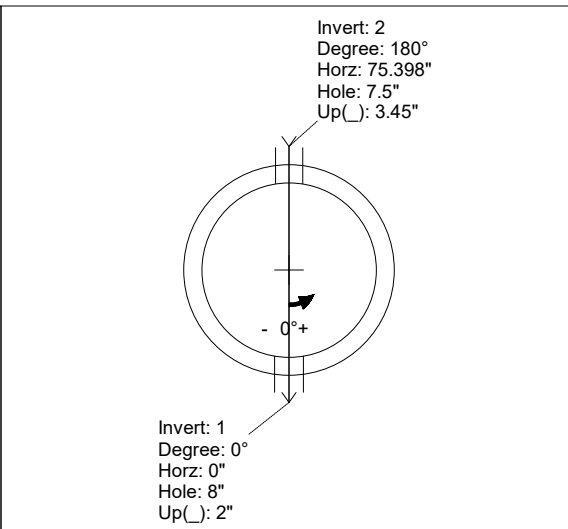
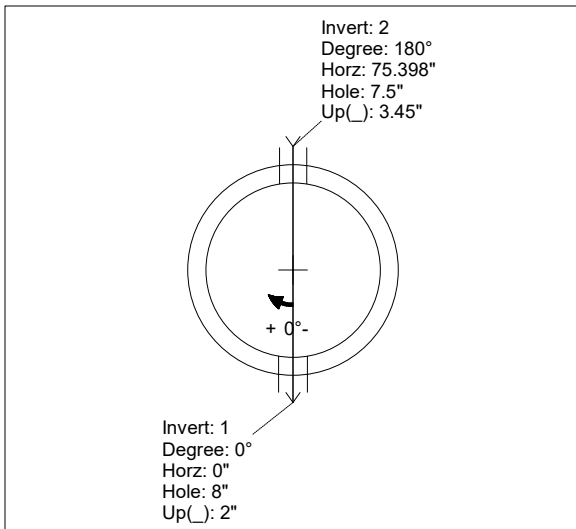
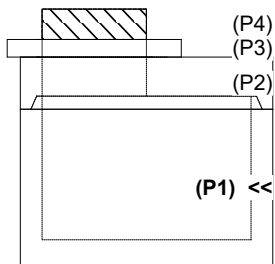
1. JR HOE MC-315 SANITARY BY ICAST.
2. PER ASTM C478 SPECIFICATIONS.
3. CONCRETE = 4,500 PSI AT 28 DAYS.
4. ADMIXTURE = CONBLOCK CDA RED.
5. REINFORCING PER ASTM A615 (GRADE 60).
 - TOP SLAB (As .62) #5 BARS AT 6" C.C.E.W..
 - RISER/WALLS (As .12)
 - FLOOR (As .31) #5 BARS AT 12" C.C.E.W.
6. DIRECT DRIVE BOOTS TO HAVE DOUBLE EXTERNAL STEEL BANDS SUPPLIED BY ICAST.
7. **NO STEPS**

Rim: 870' Rim to Invert: 4.1' Slack: 0.2" Sump: 4" Step Position:

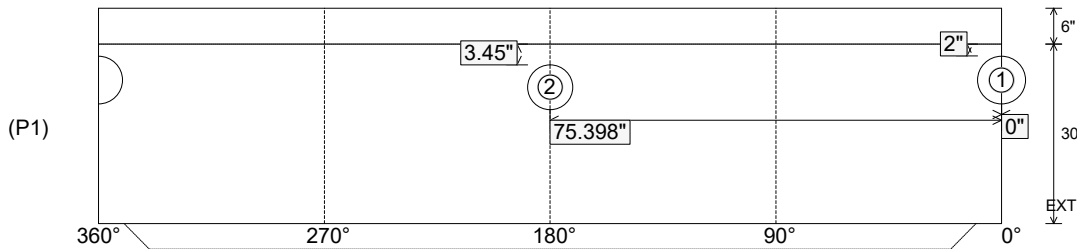
Position	Elev	Angle	Ext. (cw)	Pipe	Pipe OD	Connector	Hole	Horz Size	Up ()	Offset
Invert 1	865.9'	0°	0"	4" PVC SDR35	4.25"	PSX 8QRS DD	8"	8.038"	2"	0"
Invert 2	866'	180°	91.106"	4" PVC SDR35	4.25"	Quik-Lok QL-04-C	7.5"	7.531"	3.45"	0"
Invert 3										
Invert 4										
Invert 5										
Invert 6										
Invert 7										
Invert 8										

RIGHT-SIDE UP VIEW (int. dimensions)

UPSIDE-DOWN VIEW (int. dimensions)



INSIDE WALL DIMENSIONS



Coating (Int):
Coating (Ext):

Seam Up: Tongue
Seam Dn: n/a

Wall Thickness: 5"
Floor Height: 6"

Height (Int): 30"
Height (Ext): 36"

Weight (Net): 3386 lb
Volume (Net): 0.86cu.yd

Structure ID: B2

P1 MH048BA30CDARED

MH BASE w/ConBlock-CDA Red

- | | |
|--|---|
| P4) 24" - CASTING HEIGHT - 7"
P3) 24" - GRADE RING w/ConBlock-CDA Red - 4"
P2) 48" - MH FLAT TOP w/24" Hole ECC w/ConBlock-CDA Red - 12"
P1) 48" - MH BASE w/ConBlock-CDA Red - 30"
1) 48" - MH INVERT CHANNEL w/ConBlock-CDA Red - FULL HEIGHT
1) JOINT WRAP - 0.065"x6"x50' CONSEAL CS212
1) JOINT WRAP PRIMER - CONSEAL CS-75 (1 gal.)
1) 48" - Conseal CS-102 1.00" (Double)
1) PSX - 8QRS DD
1) Quik-Lok - QL-04-C | 0 lb
270 lb
1580 lb
3386 lb
1440 lb
0 lb
0 lb
0 lb
6 lb
1 lb

6684 lb |
|--|---|

- Structure Notes:**
1. JR HOE MC-315 SANITARY BY ICAST.
 2. PER ASTM C478 SPECIFICATIONS.
 3. CONCRETE = 4,500 PSI AT 28 DAYS.
 4. ADMIXTURE = CONBLOCK CDA RED.
 5. REINFORCING PER ASTM A615 (GRADE 60).
 - TOP SLAB (As .62) #5 BARS AT 6" C.C.E.W..
 - RISER/WALLS (As .12)
 - FLOOR (As .31) #5 BARS AT 12" C.C.E.W.
 6. DIRECT DRIVE BOOTS TO HAVE DOUBLE EXTERNAL STEEL BANDS SUPPLIED BY ICAST.
 7. **NO STEPS**

**INVERT CHANNEL DRAWING
FULL HEIGHT INVERT**

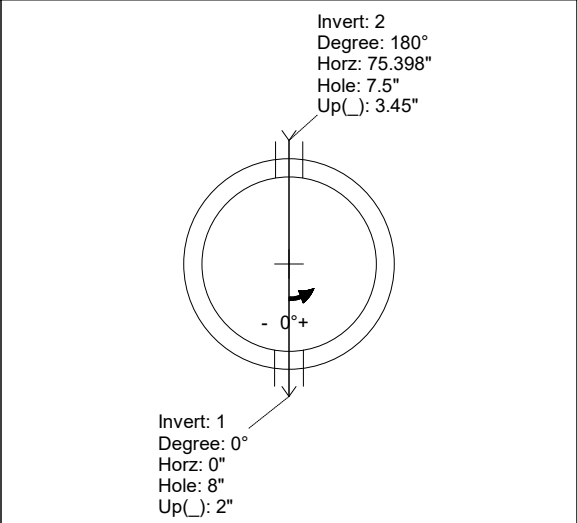
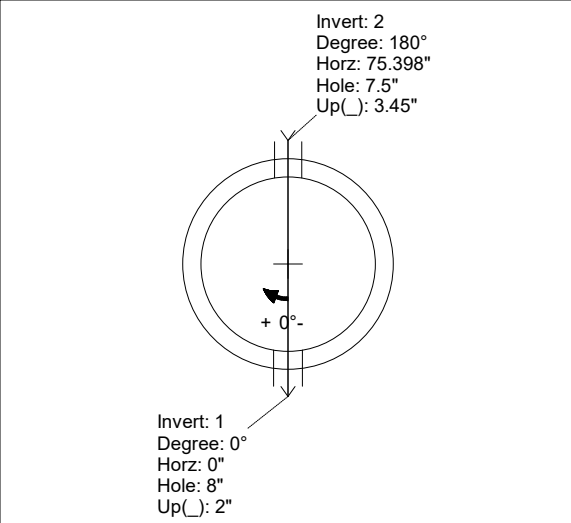
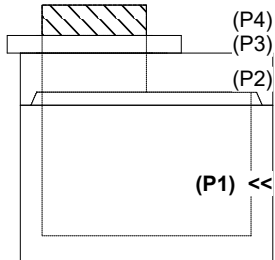
Structure Total: 6684 lb

Rim: 870' Rim to Invert: 4.1' Slack: 0.2" Sump: 4" Step Position:

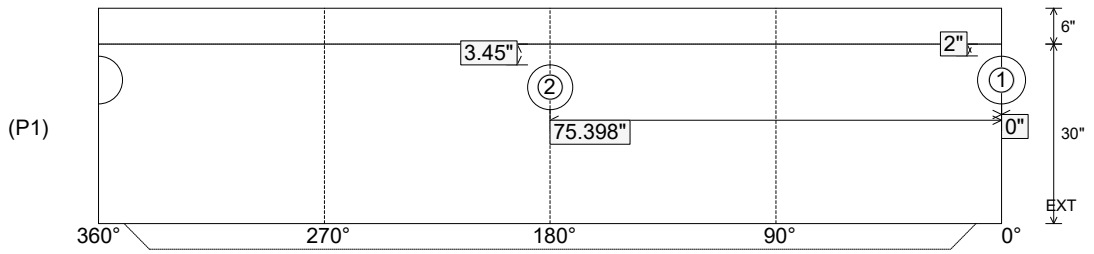
Position	Elev	Angle	Ext. (cw)	Pipe	Pipe OD	Connector	Hole	Horz Size	Up ()	Offset
Invert 1	865.9'	0°	0"	4" PVC SDR35	4.25"	PSX 8QRS DD	8"	8.038"	2"	0"
Invert 2	866'	180°	91.106"	4" PVC SDR35	4.25"	Quik-Lok QL-04-C	7.5"	7.531"	3.45"	0"
Invert 3										
Invert 4										
Invert 5										
Invert 6										
Invert 7										
Invert 8										

RIGHT-SIDE UP VIEW (int. dimensions)

UPSIDE-DOWN VIEW (int. dimensions)



INSIDE WALL DIMENSIONS



Coating (Int): Coating (Ext):	Seam Up: Tongue Seam Dn: n/a	Wall Thickness: 5" Floor Height: 6"	Height (Int): 30" Height (Ext): 36"	Weight (Net): 3386 lb Volume (Net): 0.86cu.yd
----------------------------------	---------------------------------	--	--	--