

Job Name: 25-1154 Perryville ADA Restroom Facility
Job Location: Perryville, KY
Contractor: Apex Plumbing Solutions

PC: J. Jarvis
 TECH: J. Coppage
 Plant: Beaver Dam, KY



Structure ID: B1

Spec: Sanitary
 Type: SAN.MH w/ConBlock-CDA Red
 Size: 48"

Rim: 878.25'
 Invert: 875.15'
 Rim to Invert: 3.1'

Sump: 4"
 Floor (Top): 874.817'
 Floor Height: 6"

Floor (Bot): 874.317'
 Overall Height: 3.917'
 Slack: 0.2"

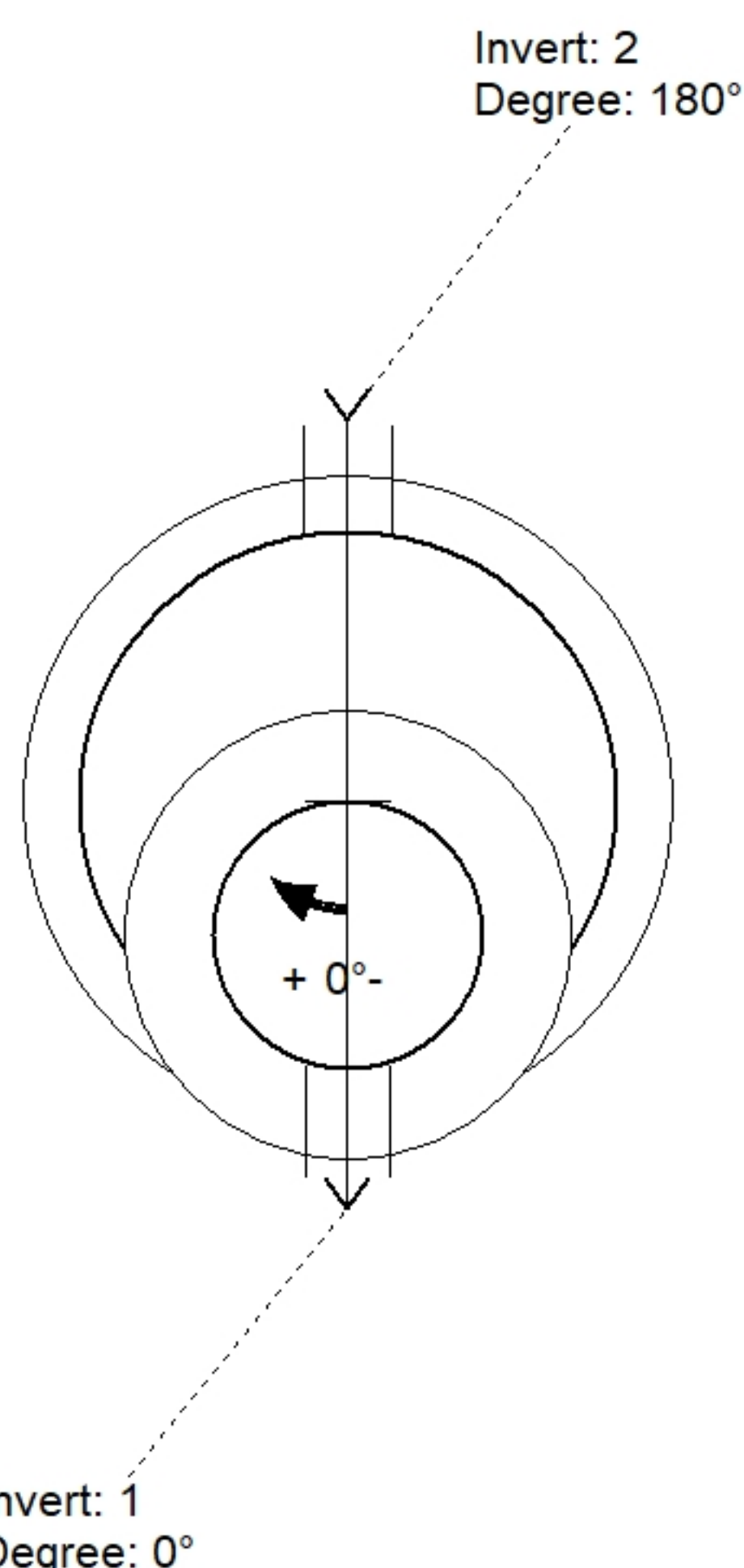
Structure Notes:

1. JR HOE MC-315 SANITARY BY ICAST.
2. PER ASTM C478 SPECIFICATIONS.
3. CONCRETE = 4,500 PSI AT 28 DAYS.
4. ADMIXTURE = CONBLOCK CDA RED.
5. REINFORCING PER ASTM A615 (GRADE 60).
 - TOP SLAB (As .62) #5 BARS AT 6" C.C.E.W..
 - RISER/WALLS (As .12)
 - FLOOR (As .31) #5 BARS AT 12" C.C.E.W.
6. DIRECT DRIVE BOOTS TO HAVE
 DOUBLE EXTERNAL STEEL BANDS
 SUPPLIED BY ICAST.
7. ****NO STEPS****

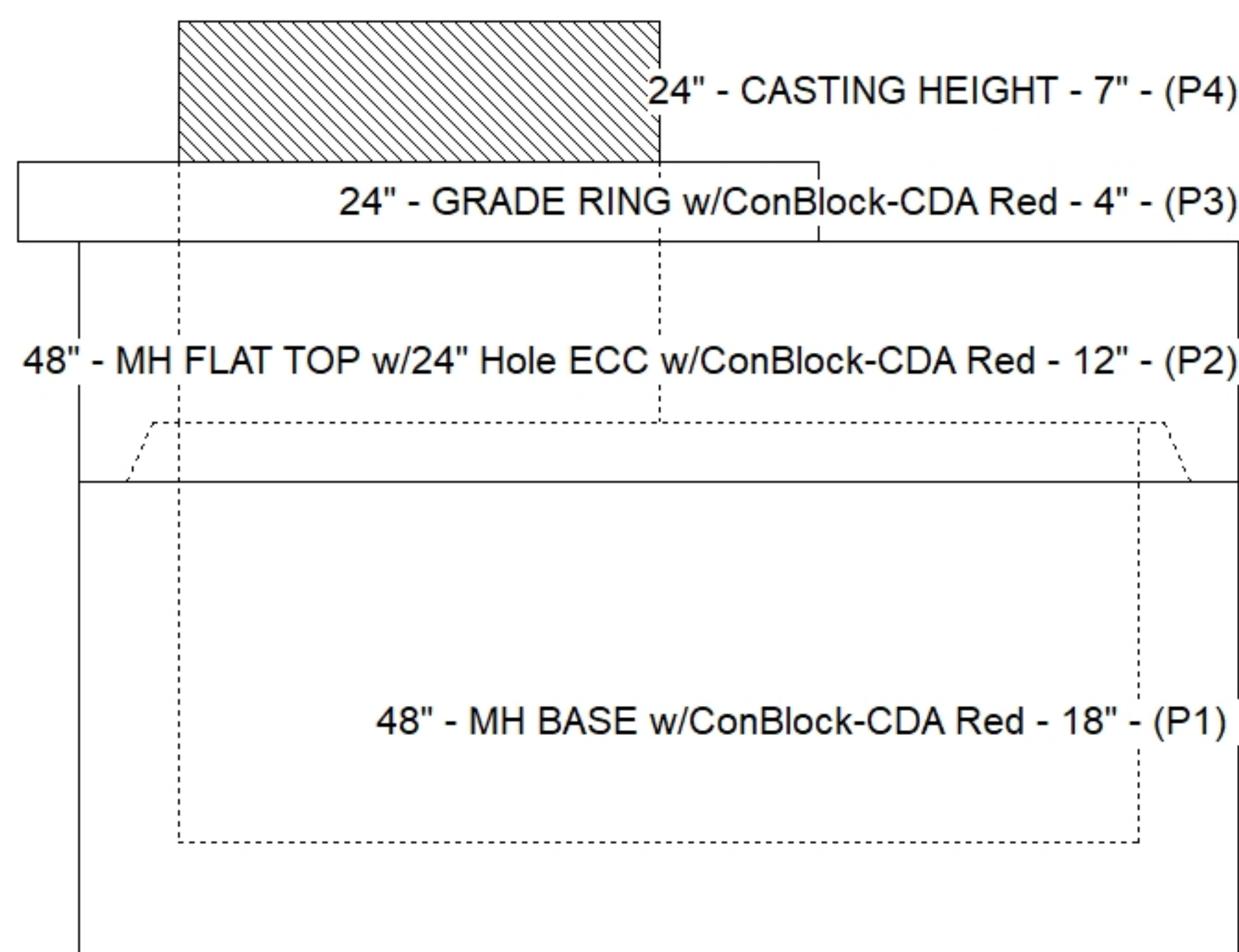
STRUCTURE SUMMARY:

- P4) 24" - CASTING HEIGHT - 7" 0 lb
- P3) 24" - GRADE RING w/ConBlock-CDA Red - 4" 270 lb
- P2) 48" - MH FLAT TOP w/24" Hole ECC w/ConBlock-CDA Red - 12" 1580 lb
- P1) 48" - MH BASE w/ConBlock-CDA Red - 18" 2548 lb
- 1) 48" - MH INVERT CHANNEL w/ConBlock-CDA Red - FULL HEIGHT 1440 lb
- 1) JOINT WRAP - 0.065"x6"x50' CONSEAL CS212 0 lb
- 1) JOINT WRAP PRIMER - CONSEAL CS-75 (1 gal.) 0 lb
- 1) 48" - Conseal CS-102 1.00" (Double) 0 lb
- 1) Quik-Lok - QL-04-C 1 lb
- 1) PSX - 8QRS DD 6 lb

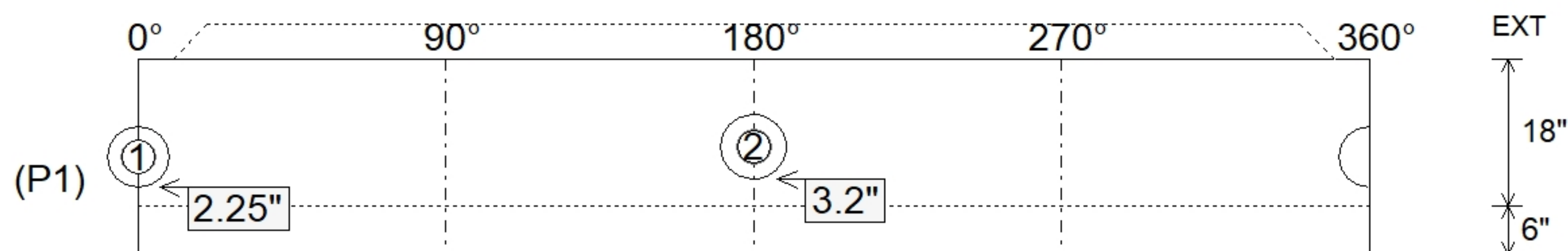
Structure Total: 5845 lb



Position	Elev	Angle	Pipe	Pipe OD	Hole	Connector	Up (")	Ref
Rim	878.25'							
Reducer								
Invert 1	875.15'	0°	4" PVC SDR35	4.25"	7.5"	Quik-Lok QL-04-C	2.25"	P1
Invert 2	875.25'	180°	4" PVC SDR35	4.25"	8"	PSX 8QRS DD	3.2"	P1
Invert 3								
Invert 4								
Invert 5								
Invert 6								
Invert 7								
Invert 8								



Default - Interior Dimensions



Submittal Drawing
 11/11/2025 11:11:14 AM

SUBMITTAL
 APPROVED BY: