

Job Name: 25-1154 Perryville ADA Restroom Facility
 Job Location: Perryville, KY
 Contractor: Apex Plumbing Solutions

Plant: Beaver Dam, KY
 11/11/2025 8:21:54 AM

Tech: J. Coppage
 PC: J. Jarvis



Structure ID: B1

P1 MH048BA18CDARED

MH BASE w/ConBlock-CDA Red

P4) 24" - CASTING HEIGHT - 7"	0 lb
P3) 24" - GRADE RING w/ConBlock-CDA Red - 4"	270 lb
P2) 48" - MH FLAT TOP w/24" Hole ECC w/ConBlock-CDA Red - 12"	1580 lb
P1) 48" - MH BASE w/ConBlock-CDA Red - 18"	2548 lb
1) 48" - MH INVERT CHANNEL w/ConBlock-CDA Red - FULL HEIGHT	1440 lb
1) JOINT WRAP - 0.065"x6"x50' CONSEAL CS212	0 lb
1) JOINT WRAP PRIMER - CONSEAL CS-75 (1 gal.)	0 lb
1) 48" - Conseal CS-102 1.00" (Double)	0 lb
1) Quik-Lok - QL-04-C	1 lb
1) PSX - 8QRS DD	6 lb
Structure Total:	5845 lb

Structure Notes:

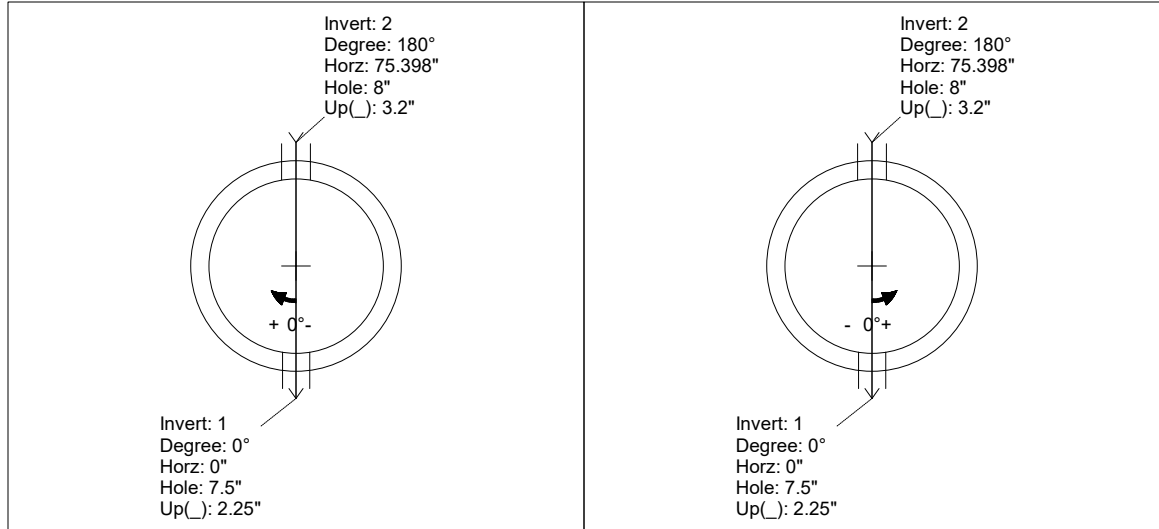
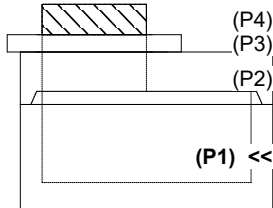
- JR HOE MC-315 SANITARY BY ICAST.
- PER ASTM C478 SPECIFICATIONS.
- CONCRETE = 4,500 PSI AT 28 DAYS.
- ADMIXTURE = CONBLOCK CDA RED.
- REINFORCING PER ASTM A615 (GRADE 60).
 - TOP SLAB (As .62) #5 BARS AT 6" C.C.E.W..
 - RISER/WALLS (As .12)
 - FLOOR (As .31) #5 BARS AT 12" C.C.E.W.
- DIRECT DRIVE BOOTS TO HAVE DOUBLE EXTERNAL STEEL BANDS SUPPLIED BY ICAST.
- **NO STEPS****

Rim: 878.25' Rim to Invert: 3.1' Slack: 0.2" Sump: 4" Step Position:

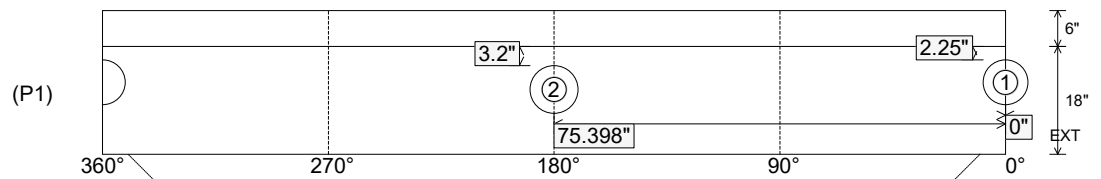
Position	Elev	Angle	Ext. (cw)	Pipe	Pipe OD	Connector	Hole	Horz Size	Up ()	Offset
Invert 1	875.15'	0°	0"	4" PVC SDR35	4.25"	Quik-Lok QL-04-C	7.5"	7.531"	2.25"	0"
Invert 2	875.25'	180°	91.106"	4" PVC SDR35	4.25"	PSX 8QRS DD	8"	8.038"	3.2"	0"
Invert 3										
Invert 4										
Invert 5										
Invert 6										
Invert 7										
Invert 8										

RIGHT-SIDE UP VIEW (int. dimensions)

UPSIDE-DOWN VIEW (int. dimensions)



INSIDE WALL DIMENSIONS



Coating (Int):
 Coating (Ext):

Seam Up: Tongue
 Seam Dn: n/a

Wall Thickness: 5"
 Floor Height: 6"

Height (Int): 18"
 Height (Ext): 24"

Weight (Net): 2548 lb
 Volume (Net): 0.65cu.yd

Job Name: 25-1154 Perryville ADA Restroom Facility
 Job Location: Perryville, KY
 Contractor: Apex Plumbing Solutions

Plant: Beaver Dam, KY
 11/11/2025 8:21:54 AM

Tech: J. Coppage
 PC: J. Jarvis



Structure ID: B1

P1 MH048BA18CDARED

MH BASE w/ConBlock-CDA Red

- P4) 24" - CASTING HEIGHT - 7" 0 lb
- P3) 24" - GRADE RING w/ConBlock-CDA Red - 4" 270 lb
- P2) 48" - MH FLAT TOP w/24" Hole ECC w/ConBlock-CDA Red - 12" 1580 lb
- P1) 48" - MH BASE w/ConBlock-CDA Red - 18" 2548 lb
- 1) 48" - MH INVERT CHANNEL w/ConBlock-CDA Red - FULL HEIGHT 1440 lb
- 1) JOINT WRAP - 0.065"x6"x50' CONSEAL CS212 0 lb
- 1) JOINT WRAP PRIMER - CONSEAL CS-75 (1 gal.) 0 lb
- 1) 48" - Conseal CS-102 1.00" (Double) 0 lb
- 1) Quik-Lok - QL-04-C 1 lb
- 1) PSX - 8QRS DD 6 lb

- Structure Notes:**
1. JR HOE MC-315 SANITARY BY ICAST.
 2. PER ASTM C478 SPECIFICATIONS.
 3. CONCRETE = 4,500 PSI AT 28 DAYS.
 4. ADMIXTURE = CONBLOCK CDA RED.
 5. REINFORCING PER ASTM A615 (GRADE 60).
 - TOP SLAB (As .62) #5 BARS AT 6" C.C.E.W..
 - RISER/WALLS (As .12)
 - FLOOR (As .31) #5 BARS AT 12" C.C.E.W.
 6. DIRECT DRIVE BOOTS TO HAVE DOUBLE EXTERNAL STEEL BANDS SUPPLIED BY ICAST.
 7. ****NO STEPS****

Structure Total: 5845 lb

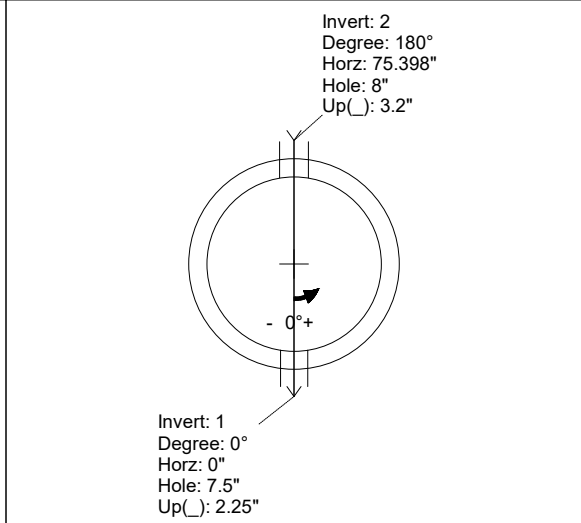
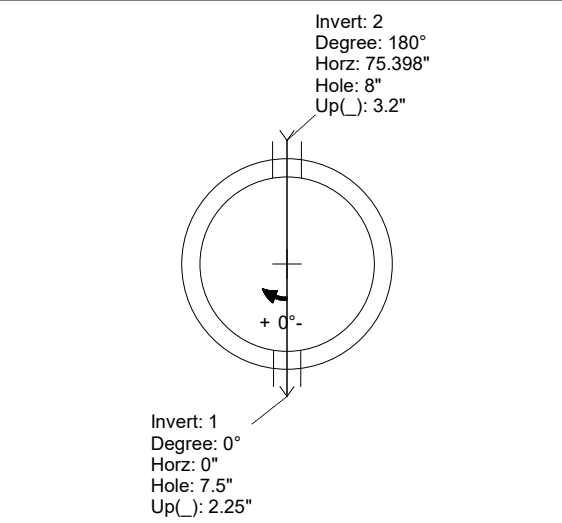
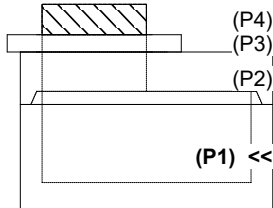
**INVERT CHANNEL DRAWING
 FULL HEIGHT INVERT**

Rim: 878.25' Rim to Invert: 3.1' Slack: 0.2" Sump: 4" Step Position:

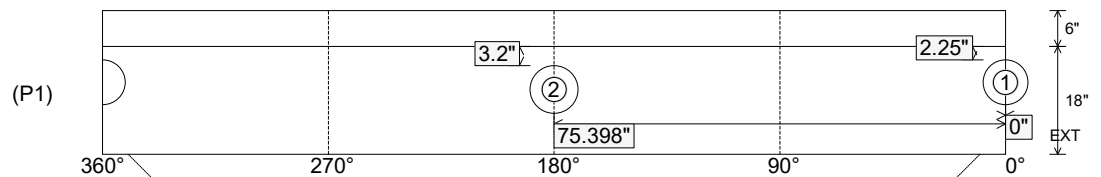
Position	Elev	Angle	Ext. (cw)	Pipe	Pipe OD	Connector	Hole	Horz Size	Up ()	Offset
Invert 1	875.15'	0°	0"	4" PVC SDR35	4.25"	Quik-Lok QL-04-C	7.5"	7.531"	2.25"	0"
Invert 2	875.25'	180°	91.106"	4" PVC SDR35	4.25"	PSX 8QRS DD	8"	8.038"	3.2"	0"
Invert 3										
Invert 4										
Invert 5										
Invert 6										
Invert 7										
Invert 8										

RIGHT-SIDE UP VIEW (int. dimensions)

UPSIDE-DOWN VIEW (int. dimensions)



INSIDE WALL DIMENSIONS



Coating (Int):
 Coating (Ext):

Seam Up: Tongue
 Seam Dn: n/a

Wall Thickness: 5"
 Floor Height: 6"

Height (Int): 18"
 Height (Ext): 24"

Weight (Net): 2548 lb
 Volume (Net): 0.65cu.yd