

Job Name: 25-1154 Perryville ADA Restroom Facility  
 Job Location: Perryville, KY  
 Contractor: Apex Plumbing Solutions

Plant: Beaver Dam, KY  
 11/11/2025 8:21:53 AM

Tech: J. Coppage  
 PC: J. Jarvis



**Structure ID: A**

**P1 MH048BA18CDARED**

**MH BASE w/ConBlock-CDA Red**

P4) 24" - CASTING HEIGHT - 7"	0 lb
P3) 24" - GRADE RING w/ConBlock-CDA Red - 3"	202 lb
P2) 48" - MH FLAT TOP w/24" Hole ECC w/ConBlock-CDA Red - 12"	1580 lb
P1) 48" - MH BASE w/ConBlock-CDA Red - 18"	2545 lb
1) 48" - MH INVERT CHANNEL w/ConBlock-CDA Red - FULL HEIGHT	1440 lb
1) JOINT WRAP - 0.065"x6"x50' CONSEAL CS212	0 lb
1) JOINT WRAP PRIMER - CONSEAL CS-75 (1 gal.)	0 lb
1) 48" - Conseal CS-102 1.00" (Double)	0 lb
2) PSX - 8QRS DD	13 lb
<b>Structure Total:</b>	<b>5781 lb</b>

**Structure Notes:**

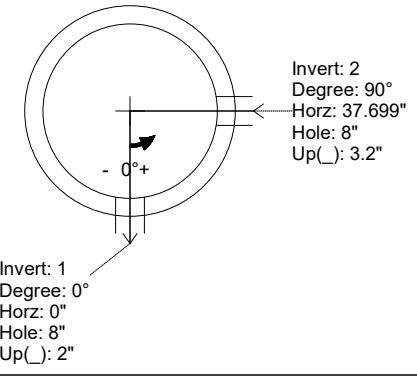
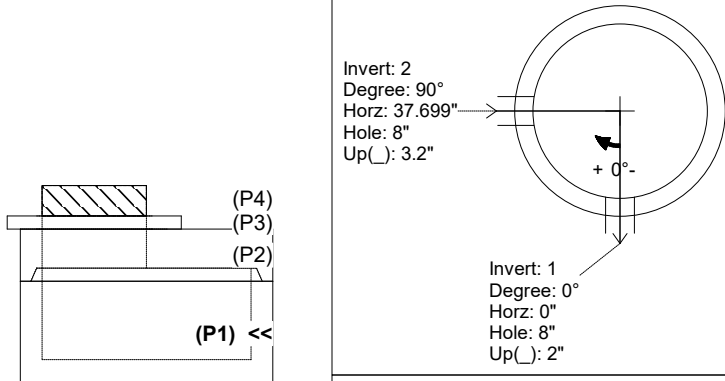
- JR HOE MC-315 SANITARY BY ICAST.
- PER ASTM C478 SPECIFICATIONS.
- CONCRETE = 4,500 PSI AT 28 DAYS.
- ADMIXTURE = CONBLOCK CDA RED.
- REINFORCING PER ASTM A615 (GRADE 60).  
 - TOP SLAB (As .62) #5 BARS AT 6" C.C.E.W..  
 - RISER/WALLS (As .12)  
 - FLOOR (As .31) #5 BARS AT 12" C.C.E.W.
- DIRECT DRIVE BOOTS TO HAVE DOUBLE EXTERNAL STEEL BANDS SUPPLIED BY ICAST.
- \*\*NO STEPS\*\***

Rim: 880' Rim to Invert: 3' Slack: 0" Sump: 4" Step Position:

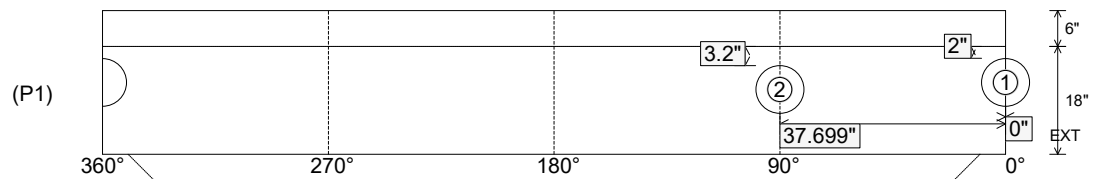
Position	Elev	Angle	Ext. (cw)	Pipe	Pipe OD	Connector	Hole	Horz Size	Up (↓)	Offset
Invert 1	877'	0°	0"	4" PVC SDR35	4.25"	PSX 8QRS DD	8"	8.038"	2"	0"
Invert 2	877.1'	90°	45.553"	4" PVC SDR35	4.25"	PSX 8QRS DD	8"	8.038"	3.2"	0"
Invert 3										
Invert 4										
Invert 5										
Invert 6										
Invert 7										
Invert 8										

RIGHT-SIDE UP VIEW (int. dimensions)

UPSIDE-DOWN VIEW (int. dimenions)



INSIDE WALL DIMENSIONS



Coating (Int):  
 Coating (Ext):

Seam Up: Tongue  
 Seam Dn: n/a

Wall Thickness: 5"  
 Floor Height: 6"

Height (Int): 18"  
 Height (Ext): 24"

Weight (Net): 2545 lb  
 Volume (Net): 0.65cu.yd

Job Name: 25-1154 Perryville ADA Restroom Facility  
 Job Location: Perryville, KY  
 Contractor: Apex Plumbing Solutions

Plant: Beaver Dam, KY  
 11/11/2025 8:21:53 AM

Tech: J. Coppage  
 PC: J. Jarvis



**Structure ID: A**

**P1 MH048BA18CDARED**

**MH BASE w/ConBlock-CDA Red**

- P4) 24" - CASTING HEIGHT - 7"
- P3) 24" - GRADE RING w/ConBlock-CDA Red - 3"
- P2) 48" - MH FLAT TOP w/24" Hole ECC w/ConBlock-CDA Red - 12"
- P1) 48" - MH BASE w/ConBlock-CDA Red - 18"
- 1) 48" - MH INVERT CHANNEL w/ConBlock-CDA Red - FULL HEIGHT
- 1) JOINT WRAP - 0.065"x6"x50' CONSEAL CS212
- 1) JOINT WRAP PRIMER - CONSEAL CS-75 (1 gal.)
- 1) 48" - Conseal CS-102 1.00" (Double)
- 2) PSX - 8QRS DD

0 lb  
 202 lb  
 1580 lb  
 2545 lb  
 1440 lb  
 0 lb  
 0 lb  
 0 lb  
 13 lb  
 -----  
 Structure Total: 5781 lb

Structure Notes:

1. JR HOE MC-315 SANITARY BY ICAST.
2. PER ASTM C478 SPECIFICATIONS.
3. CONCRETE = 4,500 PSI AT 28 DAYS.
4. ADMIXTURE = CONBLOCK CDA RED.
5. REINFORCING PER ASTM A615 (GRADE 60).  
 - TOP SLAB (As .62) #5 BARS AT 6" C.C.E.W..  
 - RISER/WALLS (As .12)  
 - FLOOR (As .31) #5 BARS AT 12" C.C.E.W.
6. DIRECT DRIVE BOOTS TO HAVE DOUBLE EXTERNAL STEEL BANDS SUPPLIED BY ICAST.
7. \*\*NO STEPS\*\*

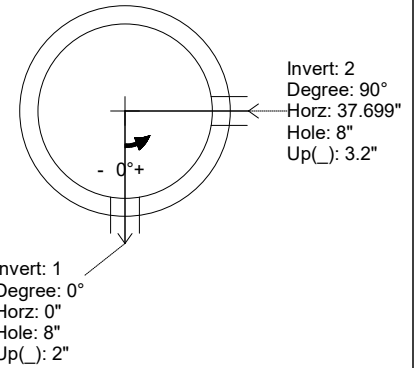
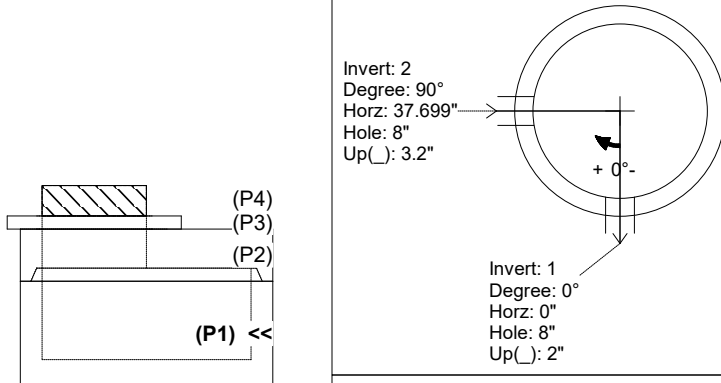
**INVERT CHANNEL DRAWING  
 FULL HEIGHT INVERT**

Rim: 880' Rim to Invert: 3' Slack: 0" Sump: 4" Step Position:

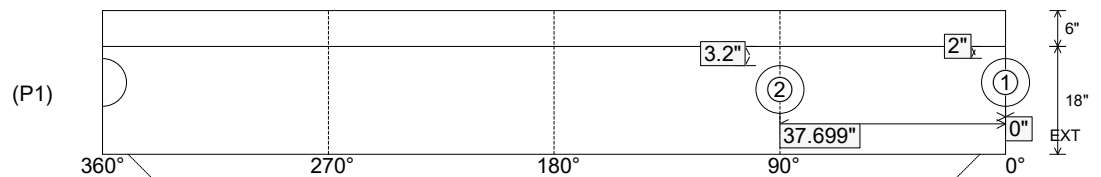
Position	Elev	Angle	Ext. (cw)	Pipe	Pipe OD	Connector	Hole	Horz Size	Up (↓)	Offset
Invert 1	877'	0°	0"	4" PVC SDR35	4.25"	PSX 8QRS DD	8"	8.038"	2"	0"
Invert 2	877.1'	90°	45.553"	4" PVC SDR35	4.25"	PSX 8QRS DD	8"	8.038"	3.2"	0"
Invert 3										
Invert 4										
Invert 5										
Invert 6										
Invert 7										
Invert 8										

RIGHT-SIDE UP VIEW (int. dimensions)

UPSIDE-DOWN VIEW (int. dimenions)



INSIDE WALL DIMENSIONS



Coating (Int):  
 Coating (Ext):

Seam Up: Tongue  
 Seam Dn: n/a

Wall Thickness: 5"  
 Floor Height: 6"

Height (Int): 18"  
 Height (Ext): 24"

Weight (Net): 2545 lb  
 Volume (Net): 0.65cu.yd