

**Job Name: 25-1145 - 7959 Poplar Creek**  
**Job Location: Nashville, TN 37221**  
**Contractor: Elite Constructors, Inc.**

PC: A. Chambers  
 TECH: K. Cardwell  
 Plant: Beaver Dam, KY



Structure ID: **MH-A3**

Spec: Sanitary  
 Type: SAN.MH w/ConBlock-CDA Red  
 Size: 48"

Rim: 599.84'  
 Invert: 590.94'  
 Rim to Invert: 8.9'

Sump: 2"  
 Floor (Top): 590.773'  
 Floor Height: 6"

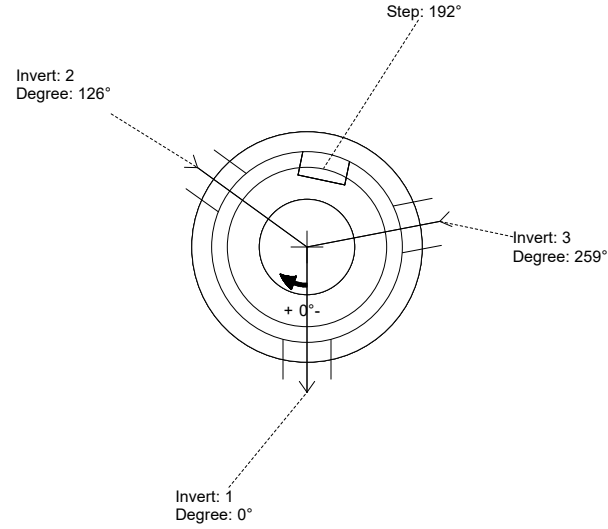
Floor (Bot): 590.273'  
 Overall Height: 9.333'  
 Slack: 2.8"

**Structure Notes:**

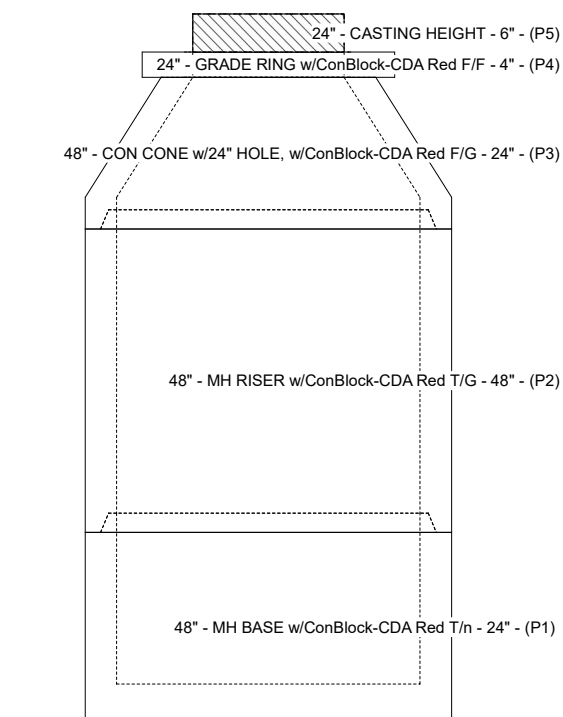
- STATION: 15+74.50
- 1. PER ASTM C-478 SPECS
- 2. CONCRETE: 4,500 PSI AT 28 DAYS
- 3. REINFORCEMENT: PER ASTM A615
- 4. CONBLOCK CDA RED ADMIXTURE REQUIRED
- 5. INVERT CHANNEL REQUIRED
- 6. STEPS AT 192 DEGREES
- 7. JBS 1155 FRAME & COVER "SANITARY" SUPPLIED BY ICAST

**STRUCTURE SUMMARY:**

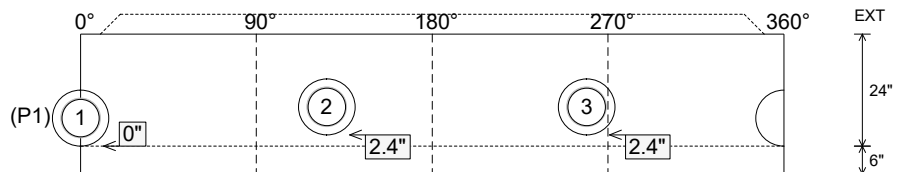
- P5) 24" - CASTING HEIGHT - 6" 0 lb
  - P4) 24" - GRADE RING w/ConBlock-CDA Red F/F - 4" 270 lb
  - P3) 48" - CON CONE w/24" HOLE, w/ConBlock-CDA Red F/G - 24" 1297 lb
  - P2) 48" - MH RISER w/ConBlock-CDA Red T/G - 48" 3353 lb
  - P1) 48" - MH BASE w/ConBlock-CDA Red T/n - 24" 2863 lb
  - 1) JOINT WRAP PRIMER - CONSEAL CS-75 (1 gal.) 0 lb
  - 1) JOINT WRAP - 0.065"x6"x50' CONSEAL CS212 0 lb
  - 1) 48" - MH INVERT CHANNEL w/ConBlock-CDA Red - FULL HEIGHT 1440 lb
  - 1) CASTING - JBS 1155 F/C SANITARY 250 lb
  - 2) 48" - Conseal CS-102 1.00" (Double) 0 lb
  - 3) PSX - 12-08 NYLO 24 lb
  - 8) MH Step ML-10-TDS-NCR - 10" 0 lb
- Structure Total: 9497 lb



Position	Elev	Angle	Pipe	Pipe OD	Hole	Connector	Up (L)	Ref
Rim	599.84'							
Reducer								
Invert 1	590.94'	0°	8" PVC SDR26	8.5"	12"	PSX 12-08 NYLO	0"	P1
Invert 2	591.14'	126°	8" PVC SDR26	8.5"	12"	PSX 12-08 NYLO	2.4"	P1
Invert 3	591.14'	259°	8" PVC SDR26	8.5"	12"	PSX 12-08 NYLO	2.4"	P1
Invert 4								
Invert 5								
Invert 6								
Invert 7								
Invert 8								



**Cast (Int. Dim.) - Interior Dimensions**



Submittal Drawing  
 11/17/2025 2:03:30 PM

SUBMITTAL  
 APPROVED BY: