

Job Name: 25-1145 - 7959 Poplar Creek
 Job Location: Nashville, TN 37221
 Contractor: Elite Constructors, Inc.

Plant: Beaver Dam, KY

Tech: K. Cardwell

11/17/2025 11:33:03 AM

PC: A. Chambers



Structure ID: MH-A3

P1 MH048BA24CDARED

MH BASE w/ConBlock-CDA Red T/n

- P5) 24" - CASTING HEIGHT - 6" 0 lb
 - P4) 24" - GRADE RING w/ConBlock-CDA Red F/F - 4" 270 lb
 - P3) 48" - CON CONE w/24" HOLE, w/ConBlock-CDA Red F/G - 24" 1297 lb
 - P2) 48" - MH RISER w/ConBlock-CDA Red T/G - 48" 3353 lb
 - P1) 48" - MH BASE w/ConBlock-CDA Red T/n - 24" 2863 lb
 - 1) JOINT WRAP PRIMER - CONSEAL CS-75 (1 gal.) 0 lb
 - 1) JOINT WRAP - 0.065"x6"x50" CONSEAL CS212 0 lb
 - 1) 48" - MH INVERT CHANNEL w/ConBlock-CDA Red - FULL HEIGHT 1440 lb
 - 1) CASTING - JBS 1155 F/C SANITARY 250 lb
 - 2) 48" - Conseal CS-102 1.00" (Double) 0 lb
 - 3) PSX - 12-08 NYLO 24 lb
 - 8) MH Step ML-10-TDS-NCR - 10" 0 lb
- Structure Total: 9497 lb

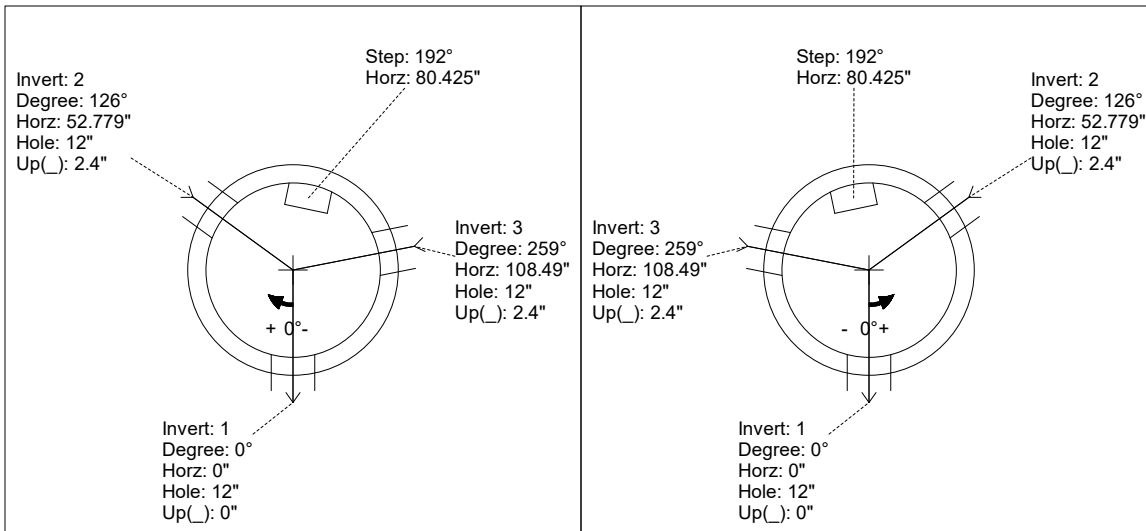
Structure Notes:
 STATION: 15+74.50
 1. PER ASTM C-478 SPECS
 2. CONCRETE: 4,500 PSI AT 28 DAYS
 3. REINFORCEMENT: PER ASTM A615
 4. CONBLOCK CDA RED ADMIXTURE REQUIRED
 5. INVERT CHANNEL REQUIRED
 6. STEPS AT 192 DEGREES
 7. JBS 1155 FRAME & COVER "SANITARY" SUPPLIED BY ICAST

Rim: 599.84' Rim to Invert: 8.9' Slack: 2.8" Sump: 2" Step Position: 192

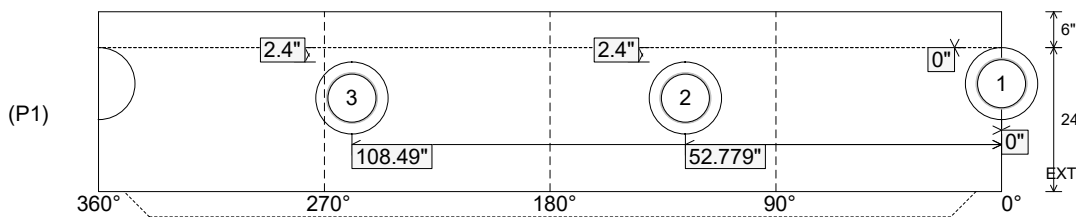
Position	Elev	Angle	Ext. (cw)	Pipe	Pipe OD	Connector	Hole	Horz Size	Up ()	Offset
Invert 1	590.94'	0°	0"	8" PVC SDR26	8.5"	PSX 12-08 NYLO	12"	12.129"	0"	0"
Invert 2	591.14'	126°	63.774"	8" PVC SDR26	8.5"	PSX 12-08 NYLO	12"	12.129"	2.4"	0"
Invert 3	591.14'	259°	131.092"	8" PVC SDR26	8.5"	PSX 12-08 NYLO	12"	12.129"	2.4"	0"
Invert 4										
Invert 5										
Invert 6										
Invert 7										
Invert 8										

RIGHT-SIDE UP VIEW (int. dimensions)

UPSIDE-DOWN VIEW (int. dimensions)



INSIDE WALL DIMENSIONS



Coating (Int):
 Coating (Ext):

Seam Up: Tongue
 Seam Dn: n/a

Wall Thickness: 5"
 Floor Height: 6"

Height (Int): 24"
 Height (Ext): 30"

Weight (Net): 2863 lb
 Volume (Net): 0.73cu.yd

Structure ID: MH-A3

P1 MH048BA24CDARED

MH BASE w/ConBlock-CDA Red T/n

- | | | |
|---|--|--|
| P5) 24" - CASTING HEIGHT - 6"
P4) 24" - GRADE RING w/ConBlock-CDA Red F/F - 4"
P3) 48" - CON CONE w/24" HOLE, w/ConBlock-CDA Red F/G - 24"
P2) 48" - MH RISER w/ConBlock-CDA Red T/G - 48"
P1) 48" - MH BASE w/ConBlock-CDA Red T/n - 24"
1) JOINT WRAP PRIMER - CONSEAL CS-75 (1 gal.)
1) JOINT WRAP - 0.065"x6"x50" CONSEAL CS212
1) 48" - MH INVERT CHANNEL w/ConBlock-CDA Red - FULL HEIGHT
1) CASTING - JBS 1155 F/C SANITARY
2) 48" - Conseal CS-102 1.00" (Double)
3) PSX - 12-08 NYLO
8) MH Step ML-10-TDS-NCR - 10" | 0 lb
270 lb
1297 lb
3353 lb
2863 lb
0 lb
0 lb
1440 lb
250 lb
0 lb
24 lb
0 lb

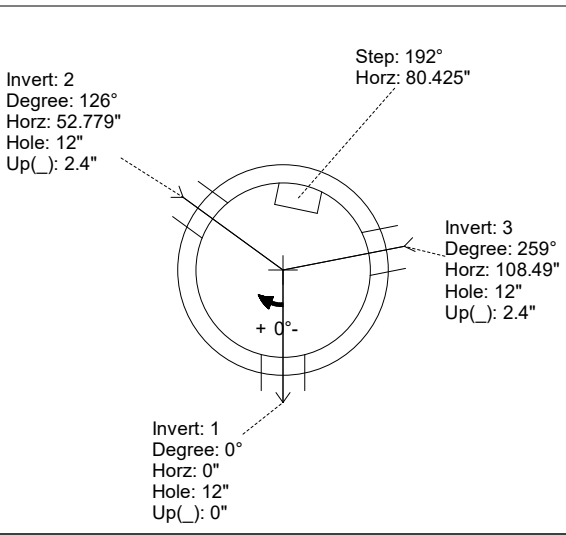
Structure Total: 9497 lb | Structure Notes:
STATION: 15+74.50
1. PER ASTM C-478 SPECS
2. CONCRETE: 4,500 PSI AT 28 DAYS
3. REINFORCEMENT: PER ASTM A615
4. CONBLOCK CDA RED ADMIXTURE REQUIRED
5. INVERT CHANNEL REQUIRED
6. STEPS AT 192 DEGREES
7. JBS 1155 FRAME & COVER "SANITARY" SUPPLIED BY ICAST |
|---|--|--|

Rim: 599.84' Rim to Invert: 8.9' Slack: 2.8" Sump: 2" Step Position: 192

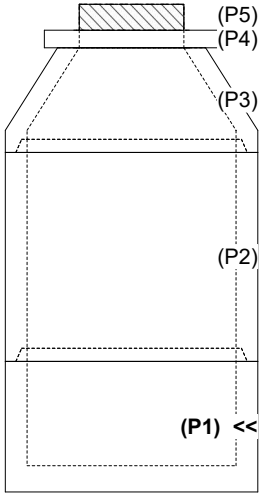
Position	Elev	Angle	Ext. (cw)	Pipe	Pipe OD	Connector	Hole	Horz Size	Up ()	Offset
Invert 1	590.94'	0°	0"	8" PVC SDR26	8.5"	PSX 12-08 NYLO	12"	12.129"	0"	0"
Invert 2	591.14'	126°	63.774"	8" PVC SDR26	8.5"	PSX 12-08 NYLO	12"	12.129"	2.4"	0"
Invert 3	591.14'	259°	131.092"	8" PVC SDR26	8.5"	PSX 12-08 NYLO	12"	12.129"	2.4"	0"
Invert 4										
Invert 5										
Invert 6										
Invert 7										
Invert 8										

RIGHT-SIDE UP VIEW (int. dimensions)

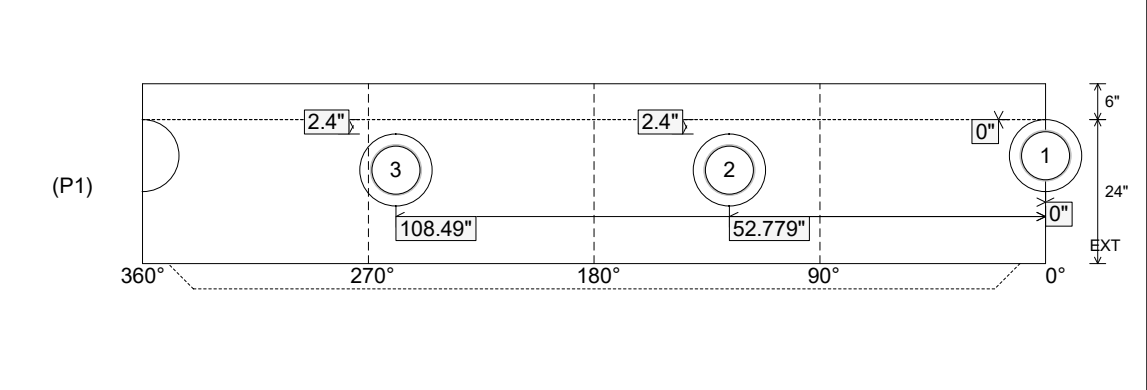
UPSIDE-DOWN VIEW (int. dimensions)



INVERT CHANNEL DRAWING



INSIDE WALL DIMENSIONS



Coating (Int): Coating (Ext):	Seam Up: Tongue Seam Dn: n/a	Wall Thickness: 5" Floor Height: 6"	Height (Int): 24" Height (Ext): 30"	Weight (Net): 2863 lb Volume (Net): 0.73cu.yd
----------------------------------	---------------------------------	--	--	--