

**Job Name: 25-1145 - 7959 Poplar Creek**  
**Job Location: Nashville, TN 37221**  
**Contractor: Elite Constructors, Inc.**

PC: A. Chambers  
 TECH: K. Cardwell  
 Plant: Beaver Dam, KY



Structure ID: **MH-A2**

Spec: Sanitary  
 Type: SAN.MH w/ConBlock-CDA Red  
 Size: 48"

Rim: 586.89'  
 Invert: 579.86'  
 Rim to Invert: 7.03'

Sump: 2"  
 Floor (Top): 579.693'  
 Floor Height: 6"

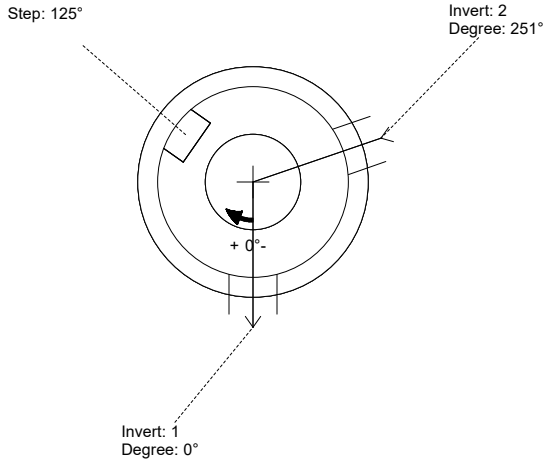
Floor (Bot): 579.193'  
 Overall Height: 7.5'  
 Slack: 2.36"

Structure Notes:

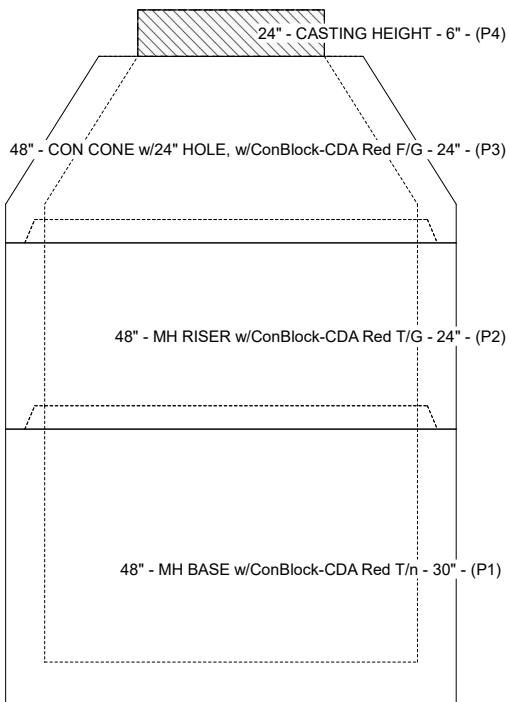
- STATION: 13+85.13
- PER ASTM C-478 SPECS
  - CONCRETE: 4,500 PSI AT 28 DAYS
  - REINFORCEMENT: PER ASTM A615
  - CONBLOCK CDA RED ADMIXTURE REQUIRED
  - INVERT CHANNEL REQUIRED
  - STEPS AT 125 DEGREES
  - JBS 1155 FRAME & COVER "SANITARY" SUPPLIED BY ICAST

STRUCTURE SUMMARY:

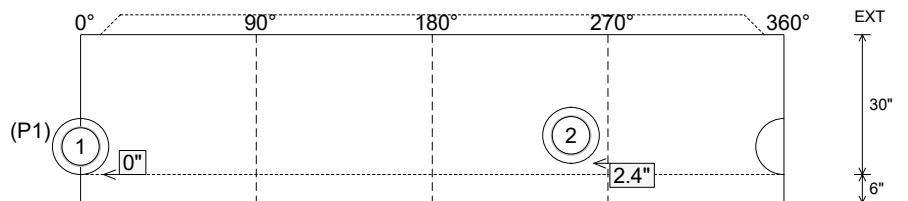
P4) 24" - CASTING HEIGHT - 6"	0 lb
P3) 48" - CON CONE w/24" HOLE, w/ConBlock-CDA Red F/G - 24"	1297 lb
P2) 48" - MH RISER w/ConBlock-CDA Red T/G - 24"	1677 lb
P1) 48" - MH BASE w/ConBlock-CDA Red T/n - 30"	3330 lb
1) JOINT WRAP PRIMER - CONSEAL CS-75 (1 gal.)	0 lb
1) JOINT WRAP - 0.065"x6"x50' CONSEAL CS212	0 lb
1) 48" - MH INVERT CHANNEL w/ConBlock-CDA Red - FULL HEIGHT	1440 lb
1) CASTING - JBS 1155 F/C SANITARY	250 lb
2) 48" - Conseal CS-102 1.00" (Double)	0 lb
2) PSX - 12-08 NYLO	16 lb
6) MH Step ML-10-TDS-NCR - 10"	0 lb
<b>Structure Total:</b>	<b>8010 lb</b>



Position	Elev	Angle	Pipe	Pipe OD	Hole	Connector	Up (L)	Ref
Rim	586.89'							
Reducer								
Invert 1	579.86'	0°	8" PVC SDR26	8.5"	12"	PSX 12-08 NYLO	0"	P1
Invert 2	580.06'	251°	8" PVC SDR26	8.5"	12"	PSX 12-08 NYLO	2.4"	P1
Invert 3								
Invert 4								
Invert 5								
Invert 6								
Invert 7								
Invert 8								



**Cast (Int. Dim.) - Interior Dimensions**



Submittal Drawing  
 11/17/2025 2:03:28 PM

SUBMITTAL  
 APPROVED BY: