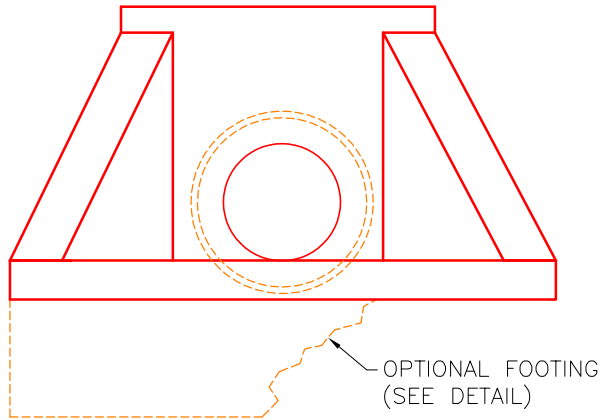
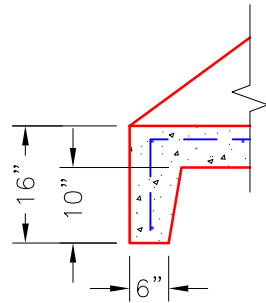


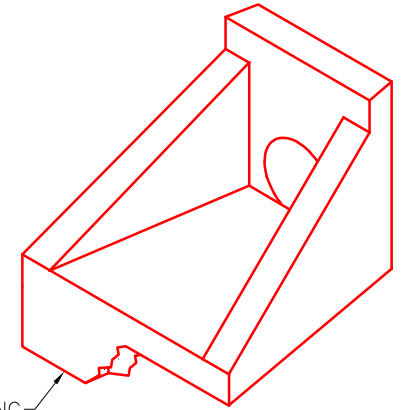
PLAN VIEW



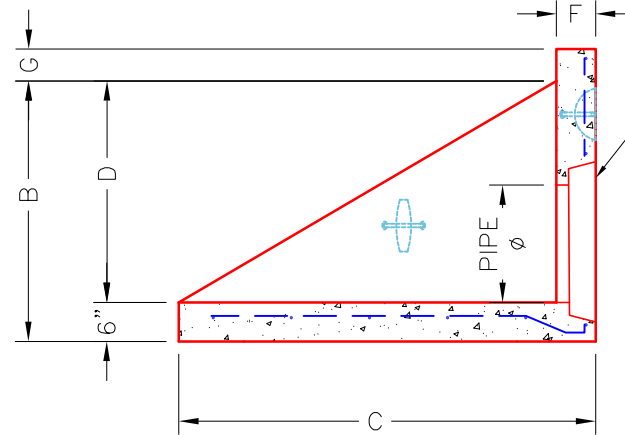
FRONT ELEVATION



FOOTING (TOE) DETAIL



ISOMETRIC VIEW



SECTION A-A

D1 (18")

DIMENSIONS & QUANTITIES										
TYPE	PIPE Ø	A	B	C	D	E	F	G	WEIGHT W/TOE	WEIGHT
AW	12"-18"	2'-8"	4'-0"	2'-6"	2'-2"	2'-0"	6"	0"	1,630 LBS.	1,380 LBS.
BW	24"-30"	4'-0"	6'-0"	3'-8"	3'-0"	3'-0"	8"	6"	3,475 LBS.	3,100 LBS.
CW	36"-42"	6'-8"	9'-6"	4'-6"	4'-6"	5'-4"	8"	6"	8,700 LBS.	8,100 LBS.
DW	48"-60"	8'-2"	10'-0"	4'-8"	5'-0"	6'-11"	8"	6"-30"	12,335 LBS.	11,500 LBS.

~NOTES:

1. CONCRETE: 4500 PSI AT 28 DAYS MINIMUM COMPRESSIVE STRENGTH.
2. REINFORCING: #4 BAR @ 12" C/C E.W.-GRADE 60, (WITH 2" CONCRETE COVER MINIMUM)
3. REINFORCING BARS TO BE TACK WELDED OR TIED.
4. PIPE AND LIFTING ANCHOR POCKETS TO BE GROUTED WITH NON-SHRINK GROUT AFTER SETTING.
5. PREFORMED STEPPED HOLE SIZED AS PER O.D. OF PIPE + 3"-4".
6. OPTIONAL FOOTING (TOE) AVAILABLE FOR ALL SIZES.

INFRASTRUCTURE PRECAST, INC.
 981 WEST 7TH ST., BEAVER DAM, KY. 42320
 PHONE: (270) 363-2238, FAX: (270) 298-7424

PRECAST WINGED HEADWALL

DRAWING NO.: NMETRO SF-HW

DATE: 01-04-23

REVIEWED BY: J.H. ROSS, PE

DRAWN BY: N. RICHARDS

WEB: WWW.ICASTING.COM

SCALE: NTS

