



Structure ID: D1

P1 HWA18F

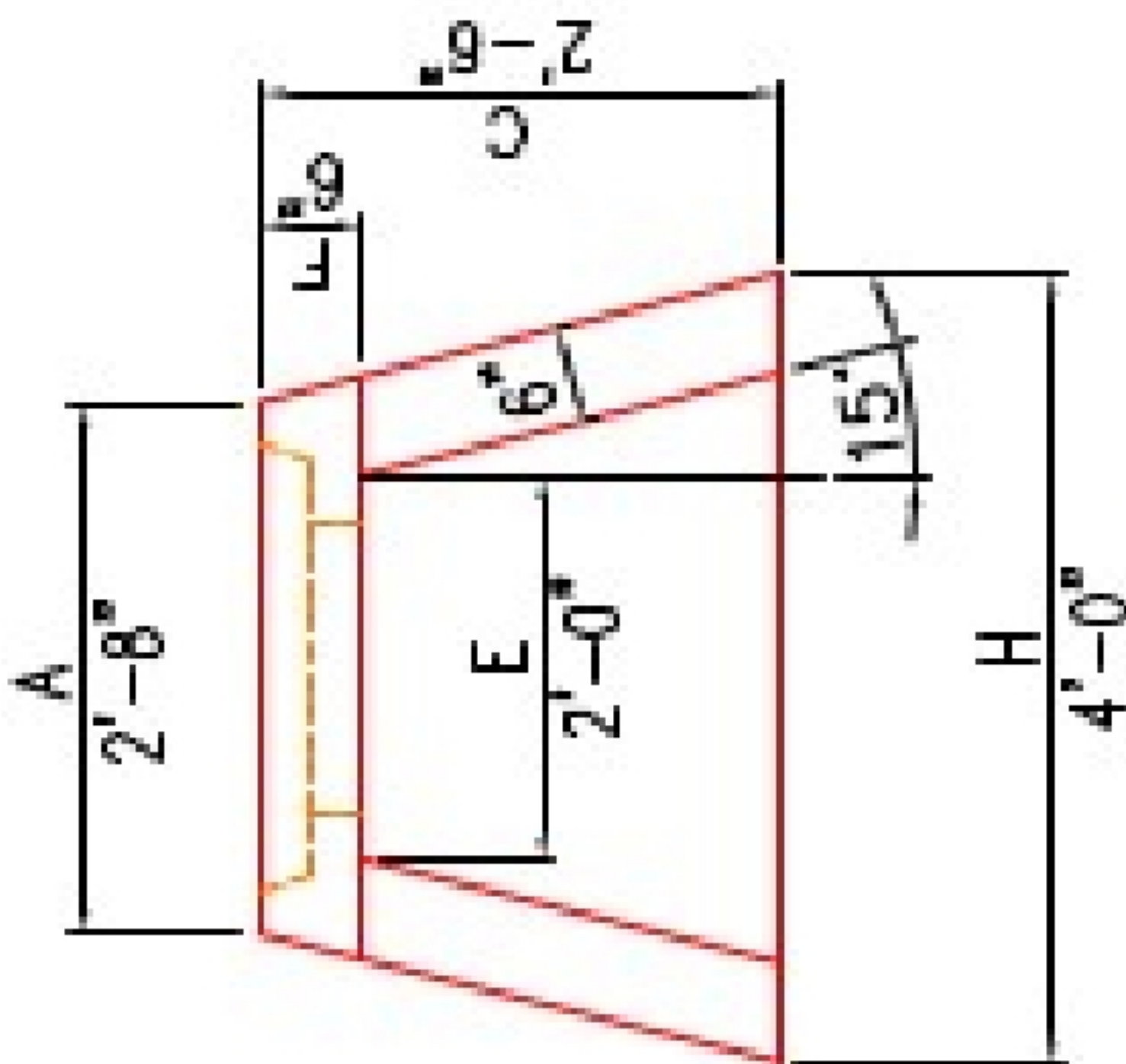
18" - HW AW w/FLAT BOTTOM F/F

DIMENSIONS & QUANTITIES

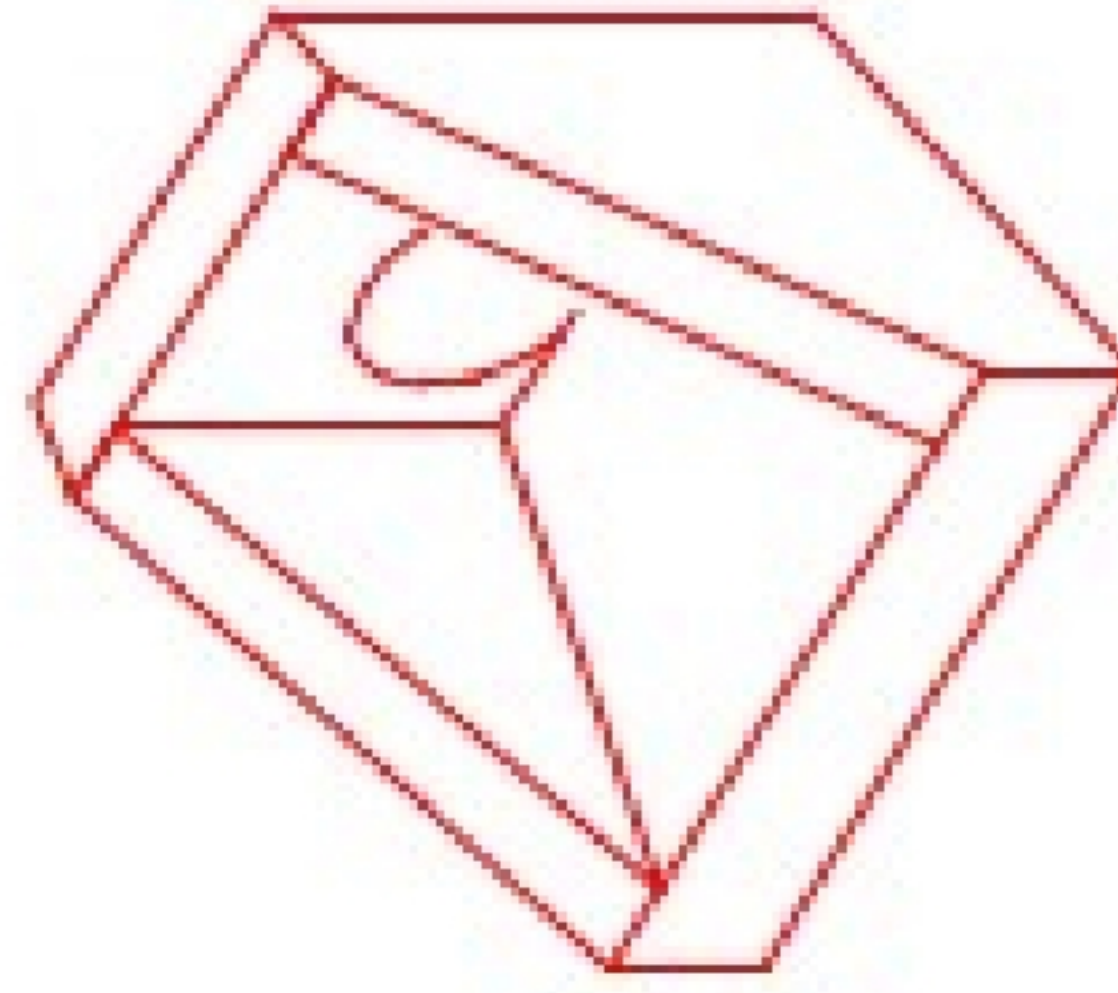
| TYPE | PIPE Ø | A | B | C | D | E | F | G | H | WEIGHT W/TOE | WEIGHT |
|------|--------|-------|-------|-------|-------|-------|----|----|-------|--------------|------------|
| AW | 18" | 2'-8" | 2'-8" | 2'-6" | 2'-2" | 2'-0" | 6" | 0" | 4'-0" | 1,830 LBS. | 1,380 LBS. |

NOTES:

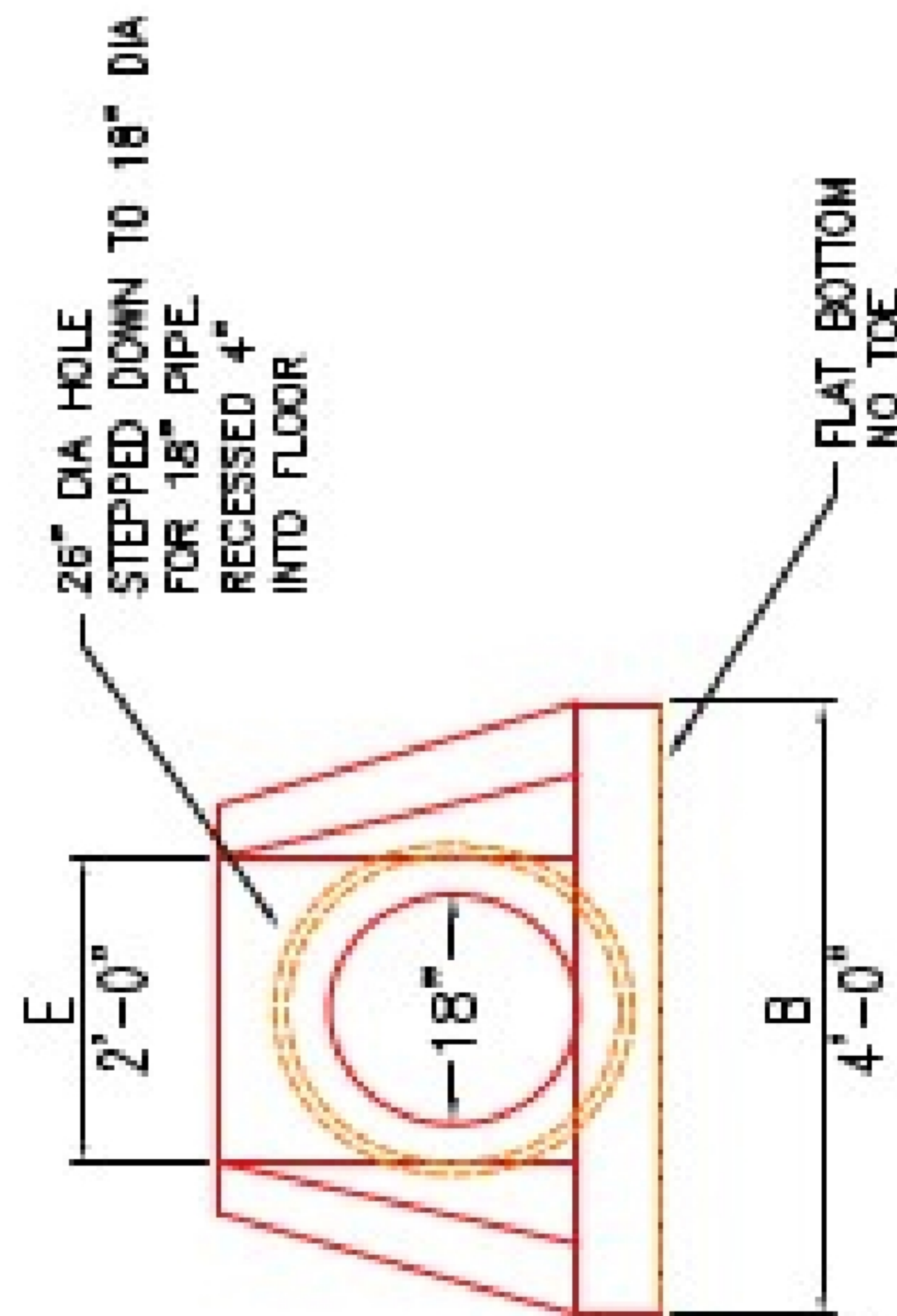
1. CONCRETE: 4500 PSI AT 28 DAYS MINIMUM COMPRESSIVE STRENGTH.
2. REINFORCING: #4 BAR @ 12" C/C E.W.-GRADE 60, (WITH 2" CONCRETE COVER MINIMUM)
3. REINFORCING BARS TO BE TACK WELDED OR TIED.
4. PIPE AND LIFTING ANCHOR POCKETS TO BE GROUTED WITH NON-SHRINK GROUT AFTER SETTING.
5. PREFORMED STEPPED HOLE SIZED AS PER O.D. OF PIPE + 3" - 4".
6. OPTIONAL FOOTING (TOE) AVAILABLE FOR ALL SIZES.



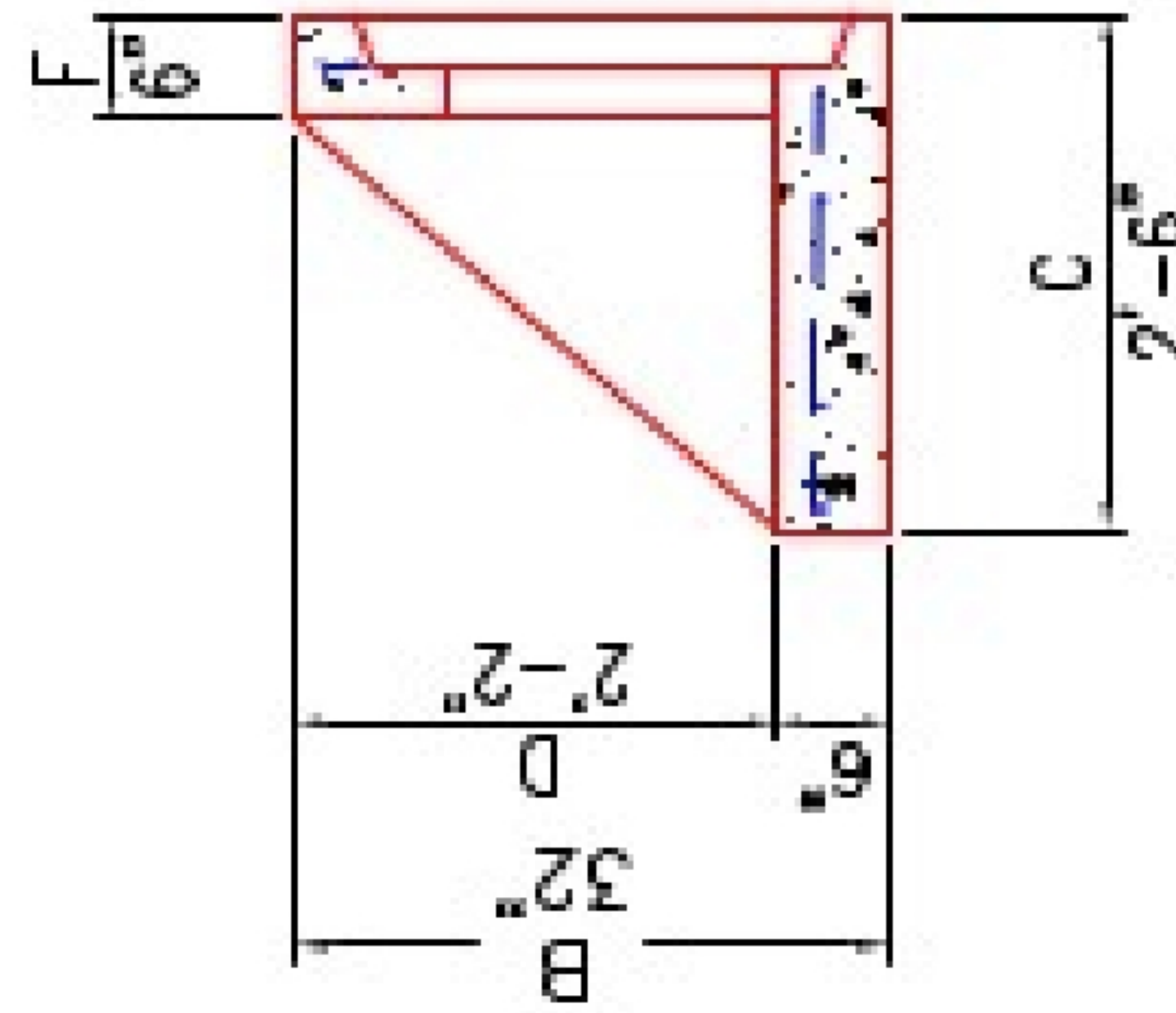
PLAN VIEW



ISOMETRIC VIEW



FRONT ELEVATION



SECTION A-A

PRODUCTION WORK ORDER

QUALITY CONTROL CHECKLIST

- ALL DIMENSIONS CORRECT.
- LIFTERS INSTALLED.
- STEPPED HF CORRECT SIZE.
- REINFORCING CORRECT.
- CLEARANCE ON REINFORCING CORRECT.
- EDGES CHAMFERED.
- ALL PATCHWORK ACCEPTABLE.



| | |
|-----------------------------|--|
| PRODUCT I.D.: HWA18F | DESCRIPTION: 18in AW WINGED HEADWALL, FLAT |
| PRODUCT VIEW: RIGHT SIDE UP | CUSTOMER: STOOK |
| PLANT: BEAVER DAM, KY. | PROJECT: STOOK |
| WEIGHT: 1,380 LBS. | STRUCTURE ID.: T.B.D. |
| TOP SECTION JOINT: N/A | SALES ORDER NO: T.B.D. |
| BASE SECTION JOINT: N/A | PC: B. KELLY |
| QC CHECK INITIALS: | DRAWING: J. HORSLEY |
| | DATE: 10/30/23 |
| | SCALE: NTS |
| | PG. 1 of 1 |