



Structure ID: C1

P1 HWA18F

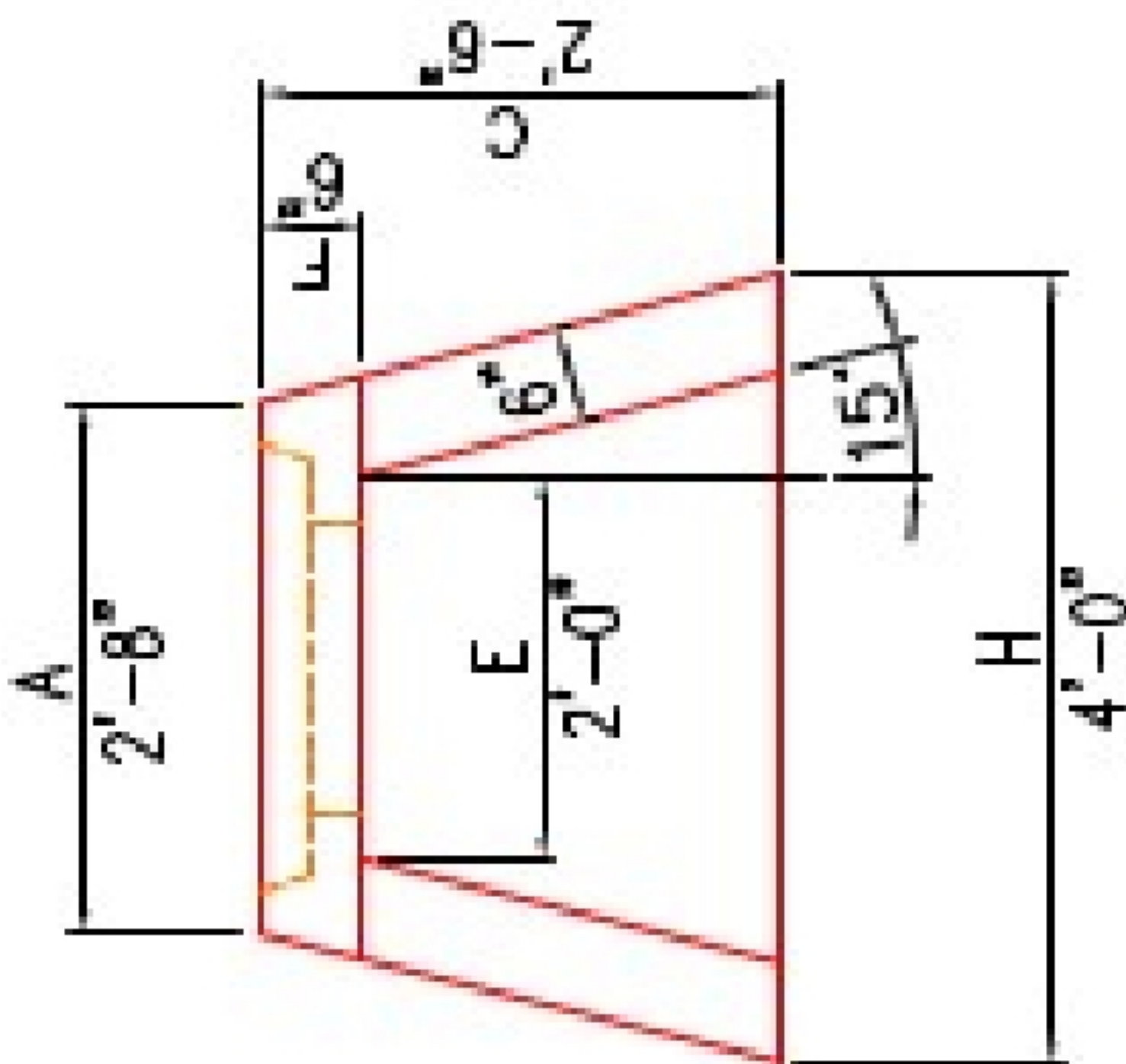
18" - HW AW w/FLAT BOTTOM F/F

DIMENSIONS & QUANTITIES

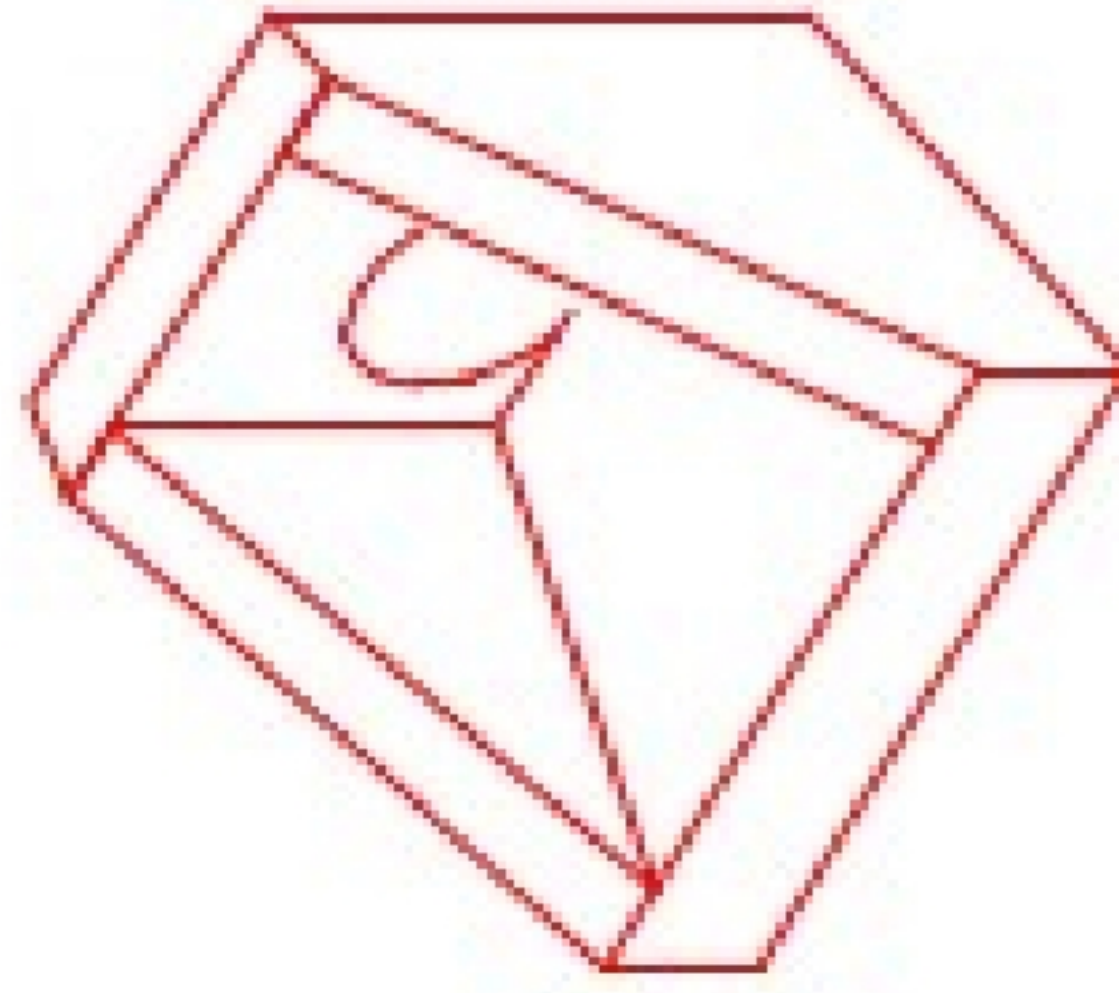
TYPE	PIPE Ø	A	B	C	D	E	F	G	H	WEIGHT W/TOE	WEIGHT
AW	18"	2'-8"	2'-8"	2'-6"	2'-2"	2'-0"	6"	0"	4'-0"	1,830 LBS.	1,380 LBS.

NOTES:

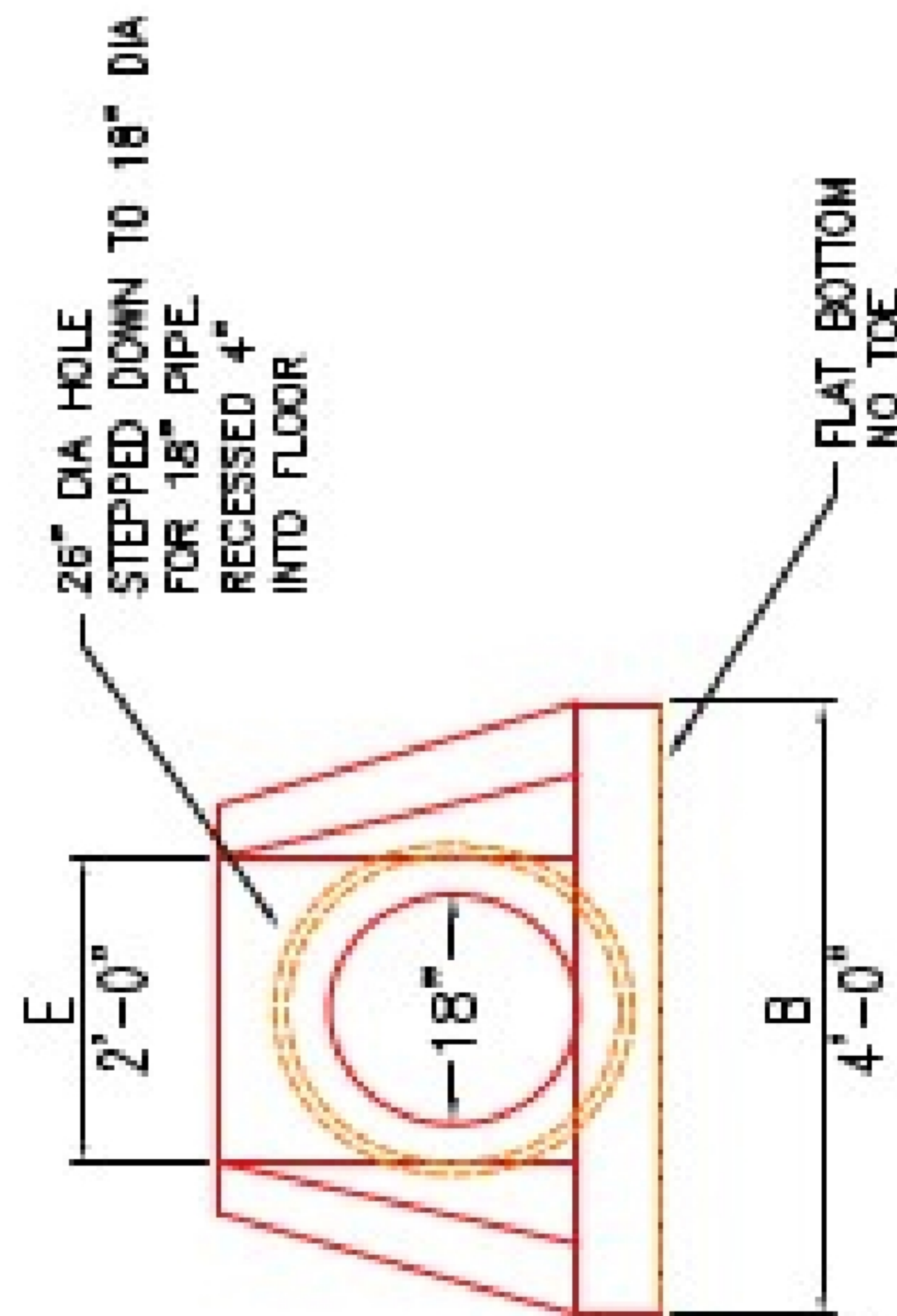
1. CONCRETE: 4500 PSI AT 28 DAYS MINIMUM COMPRESSIVE STRENGTH.
2. REINFORCING: #4 BAR @ 12" C/C E.W.-GRADE 60, (WITH 2" CONCRETE COVER MINIMUM)
3. REINFORCING BARS TO BE TACK WELDED OR TIED.
4. PIPE AND LIFTING ANCHOR POCKETS TO BE GROUTED WITH NON-SHRINK GROUT AFTER SETTING.
5. PREFORMED STEPPED HOLE SIZED AS PER O.D. OF PIPE + 3" - 4".
6. OPTIONAL FOOTING (TOE) AVAILABLE FOR ALL SIZES.



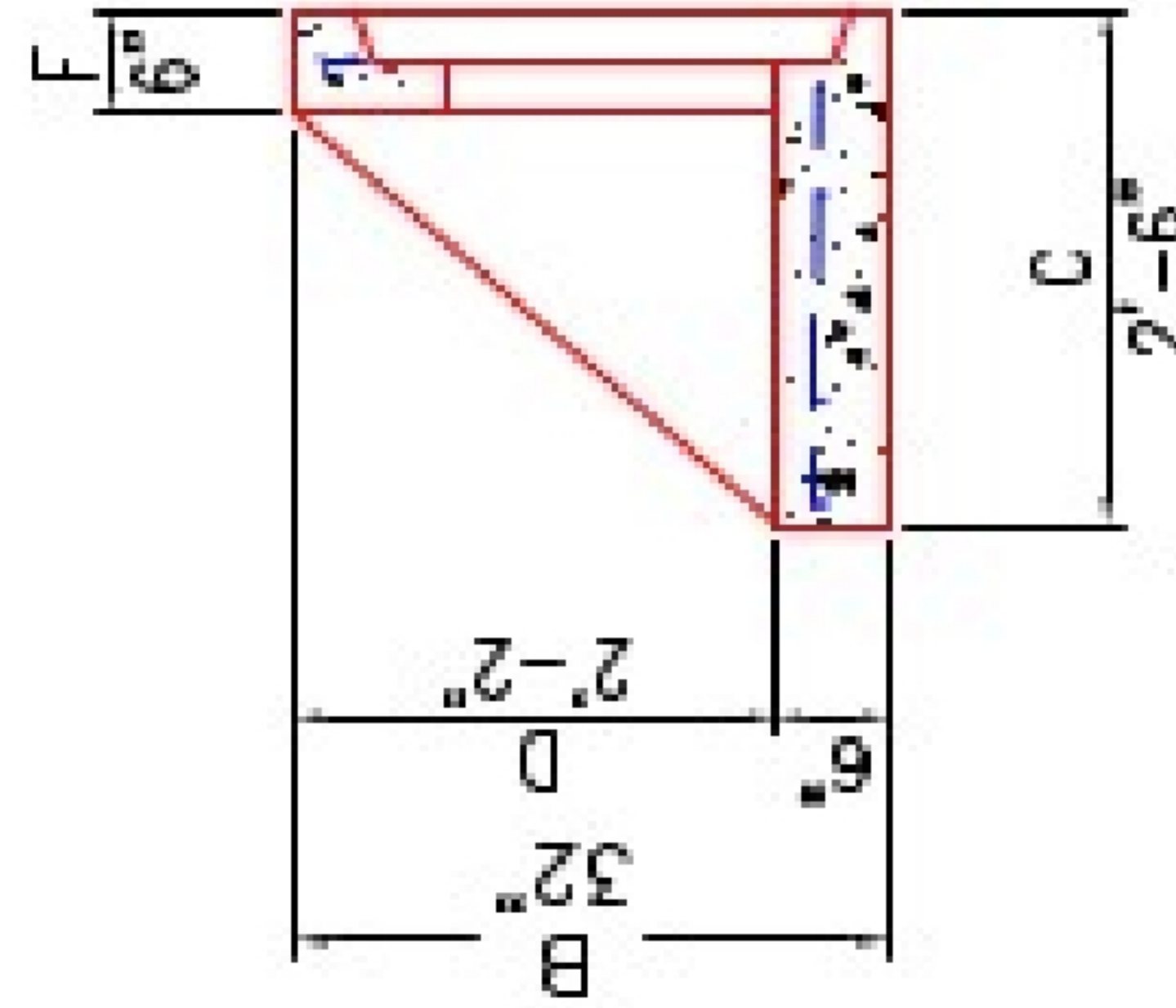
PLAN VIEW



ISOMETRIC VIEW



FRONT ELEVATION



SECTION A-A

PRODUCTION WORK ORDER		PRODUCT I.D.: HWA18F	DESCRIPTION: 18in AW WINGED HEADWALL, FLAT
QUALITY CONTROL CHECKLIST		PRODUCT VIEW: RIGHT SIDE UP	CUSTOMER: STOOK
<input type="checkbox"/> ALL DIMENSIONS CORRECT. <input type="checkbox"/> LIFTERS INSTALLED. <input type="checkbox"/> STEPPED HF CORRECT SIZE. <input type="checkbox"/> REINFORCING CORRECT. <input type="checkbox"/> CLEARANCE ON REINFORCING CORRECT. <input type="checkbox"/> EDGES CHAMFERED. <input type="checkbox"/> ALL PATCHWORK ACCEPTABLE.		PLANT: BEAVER DAM, KY.	PROJECT: STOOK
		WEIGHT: 1,380 LBS.	STRUCTURE ID.: T.B.D.
		TOP SECTION JOINT: N/A	SALES ORDER NO: T.B.D.
		BASE SECTION JOINT: N/A	PC: B. KELLY
		QC CHECK INITIALS:	DRAWING: J. HORSLEY
			DATE: 10/30/23
			SCALE: NTS
			PG. 1 of 1

