

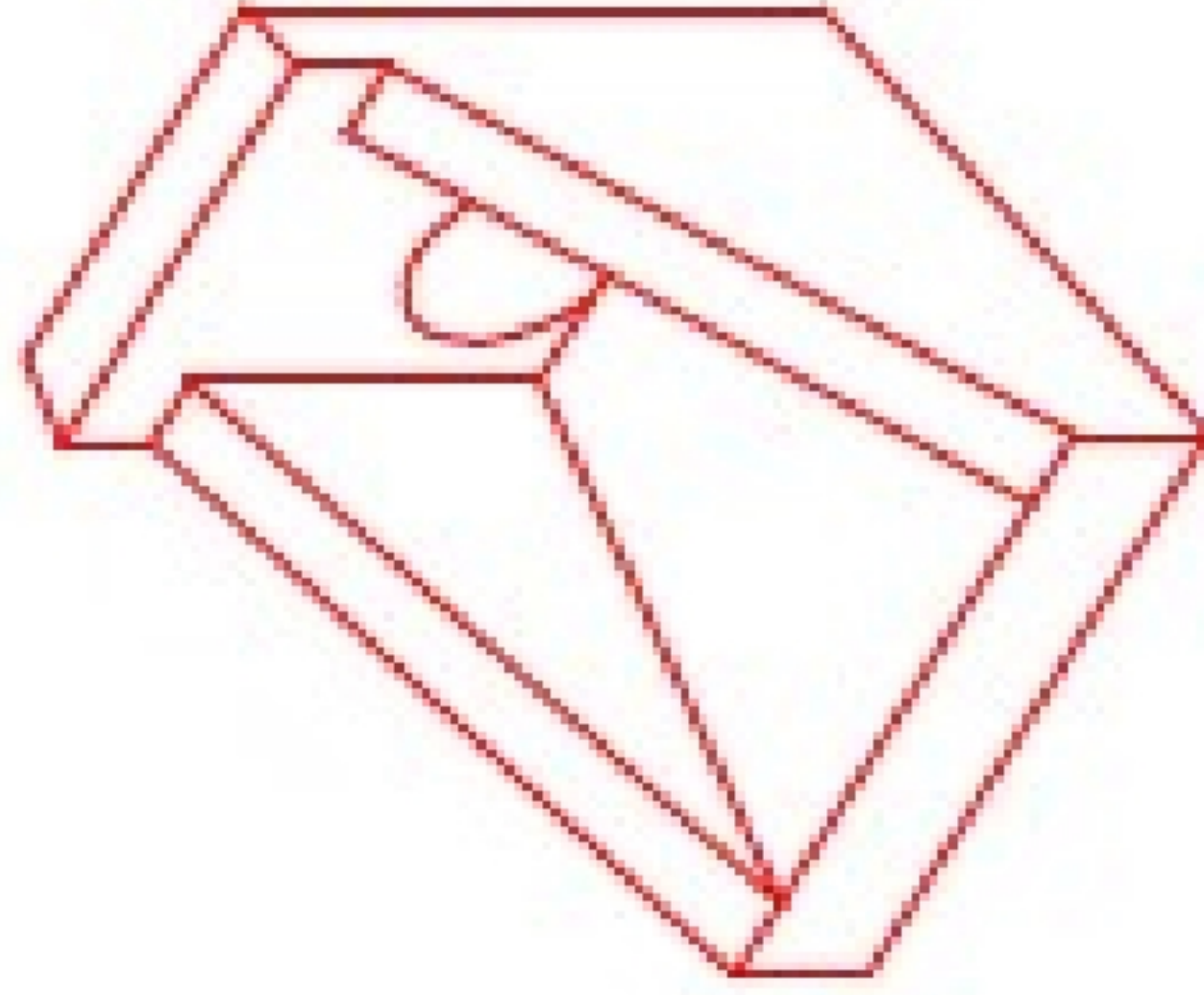


Structure ID: B1

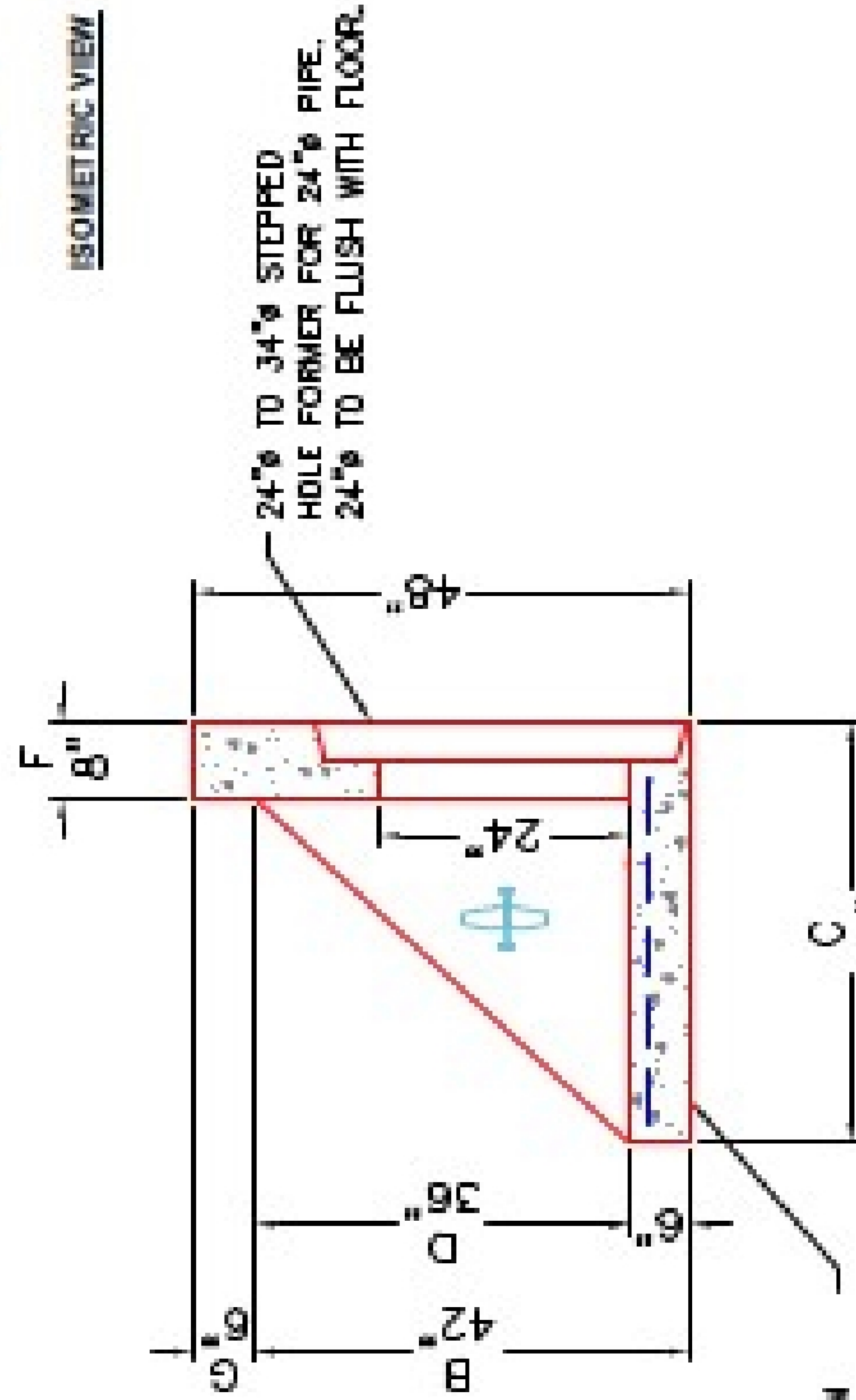
P1 HWBW24F

24" - HW BW w/FLAT BOTTOM F/F

DIMENSIONS & QUANTITIES									
TYPE	PIPE Ø	A	B	C	D	E	F	G	WEIGHT
BW	24"	4'-0"	6'-0"	3'-6"	3'-0"	3'-0"	6"	6"	3,100 LBS.

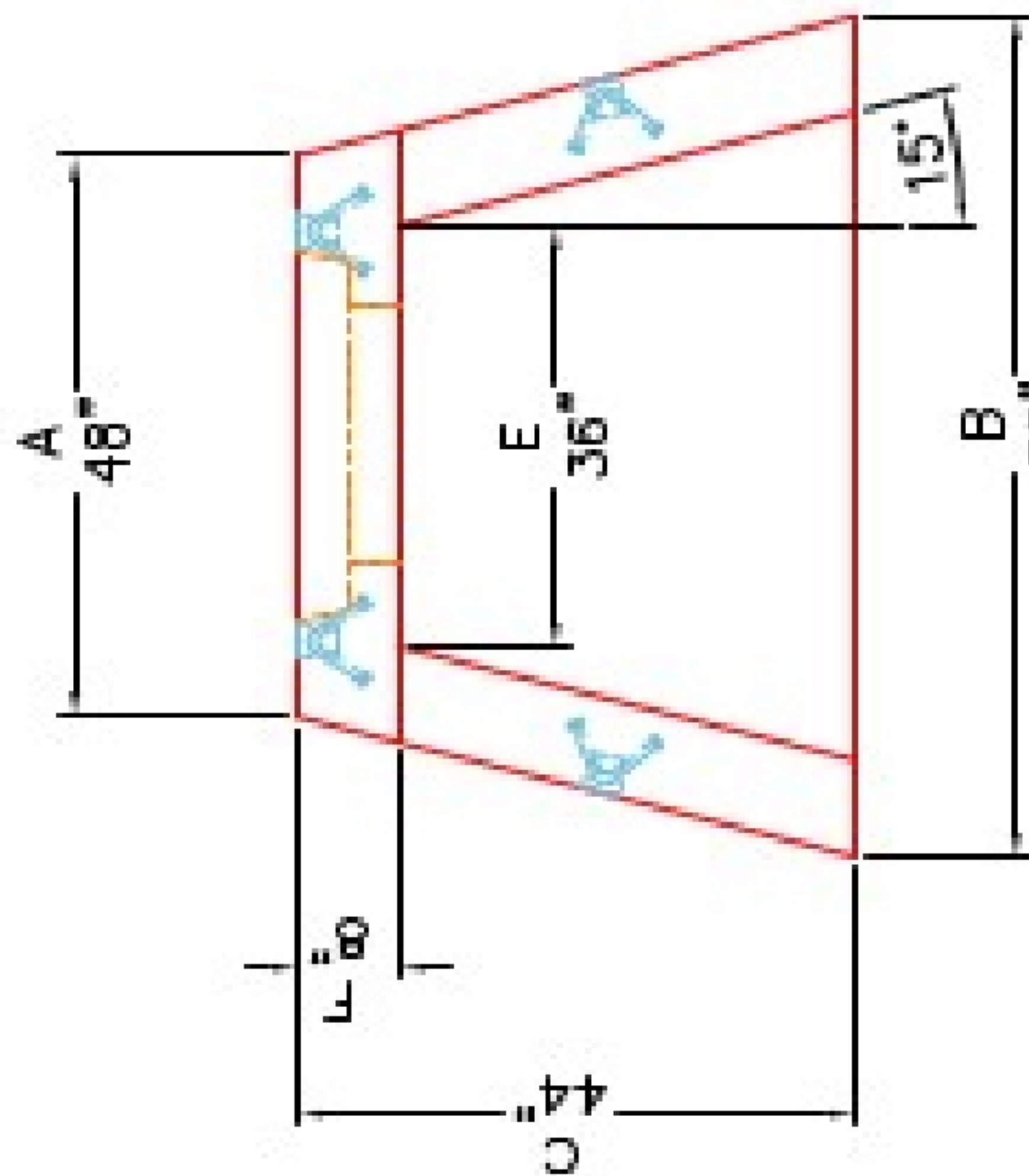


ISOMETRIC VIEW

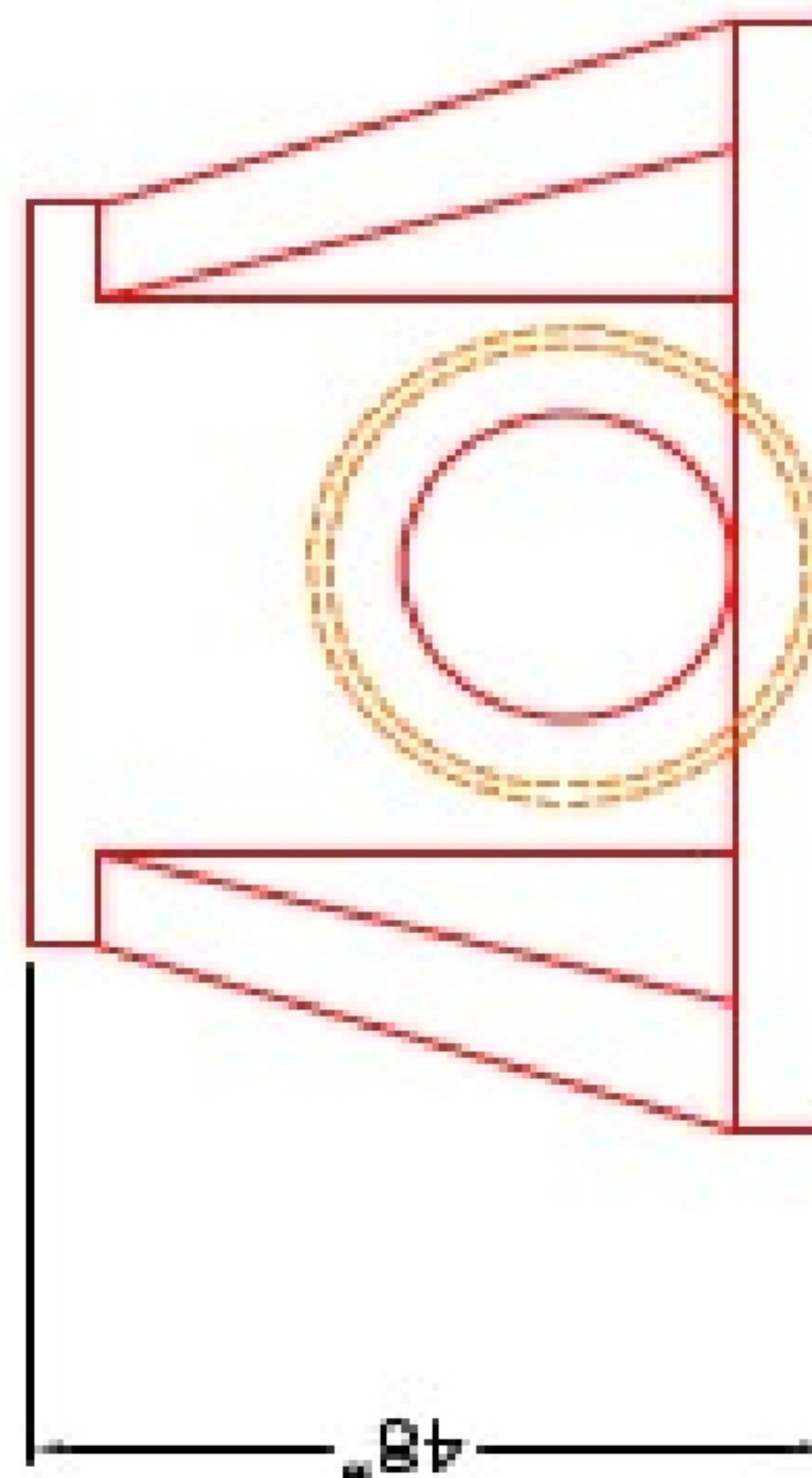


SECTION A-A

FLAT BOTTOM NOT TOE



PLANVIEW



FRONTELEVATION

NOTES:

1. CONCRETE: 4500 PSI AT 28 DAYS MIN. STRENGTH.
2. REINFORCING: #4 BAR @ 12" C/C E.W. - GRADE 60, (WITH 2" CONCRETE COVER MINIMUM)
3. REINFORCING BARS TO BE TACK WELDED OR TIED.

PRODUCTION WORK ORDER

- QUALITY CONTROL CHECKLIST
- ALL DIMENSIONS CORRECT.
 - LIFTERS INSTALLED.
 - STEPPED HF CORRECT SIZE.
 - REINFORCING CORRECT.
 - CLEARANCE ON REINFORCING CORRECT.
 - EDGES CHAMFERED.
 - ALL PATCHWORK ACCEPTABLE.



DESCRIPTION: 24in BW HEADWALL FLAT BOTTOM	PRODUCT I.D.: HWBW24F
CUSTOMER: STOCK	PRODUCT VIEW: RIGHT SIDE UP
PROJECT: T.B.D.	PLANT: BEAVER DAM, KY.
STRUCTURE ID: T.B.D.	WEIGHT: 3,475 LBS.
SALES ORDER NO: STOCK	TOP SECTION JOINT: N/A
CHECK: B. SMITH	BASE SECTION JOINT: N/A
DRAWING: J. HORSLEY	QC CHECK INITIALS:
DATE: 06/04/24	SCALE: NTS
PG. 1 of 1	