

Job Name: 25-1145 - 7959 Poplar Creek
 Job Location: Nashville, TN 37221
 Contractor: Elite Constructors, Inc.

Plant: Beaver Dam, KY
 11/17/2025 11:32:47 AM

Tech: K. Cardwell
 PC: A. Chambers



Structure ID: A3

P1 BX2896-06BVF

BOX BASE 6inW, 6inF, Variable Ht F/n

- P2) 28" x 96" - CASTING HEIGHT - 6"
- P1) 28" x 96" - BOX BASE 6inW, 6inF, Variable Ht F/n - 43"
- 1) SECONDARY POUR
- 1) CASTING - JBS 3101V Triple Set (F/G/H)
- 1) 28" x 96" - Conseal CS-102 1.00"
- 3) Hole - 26
- 4) LINTEL BAR SLOT n/n - 7"x1"

0 lb
 7221 lb
 0 lb
 1857 lb
 0 lb
 0 lb
 0 lb

 0 lb
 Structure Total: 9078 lb

- Structure Notes:**
 STATION: 12+46.25
1. PER ASTM C-913 SPECS
 2. CONCRETE: 4,500 PSI AT 28 DAYS
 3. REINFORCEMENT: #4 BAR @ 12" C.C. E.W. (GRADE 60) - 2" MIN. REBAR CLEARANCE (TYP)
 4. 3 EA. JBS 3101-V FRAMES, L-VANE GRATES, & CURB HOODS SUPPLIED BY ICAST
 5. LINTEL BAR SLOTS OFFSET 16" FROM CENTER BOTH WAYS IN EACH LONG WALL REQUIRED (7" LONG X 1" DEEP X FULL WIDTH OF WALL)
 6. WET STICK 18" X 24" #4 L-BARS SPACED AT 12" C.C. E.W. (GRADE 60) OUT OF FLOOR FOR WALL POUR TIE-IN (SEE L-BAR DETAIL)

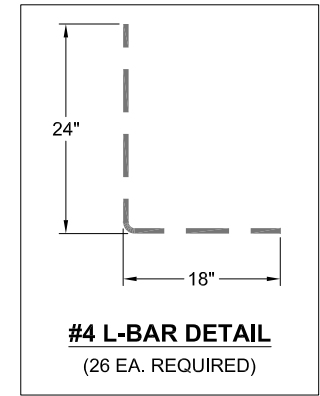
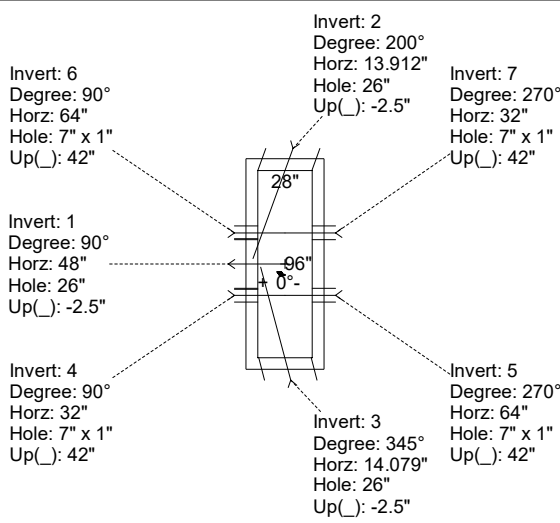
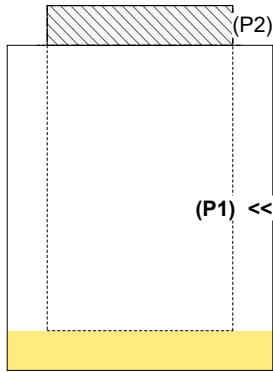
FIRST POUR (FLOOR): 2,610 LBS
SECOND POUR (WALLS): 4,611 LBS

Rim: 599.59' Rim to Invert: 4.09' Slack: 0.08" Sump: 0" Step Position:

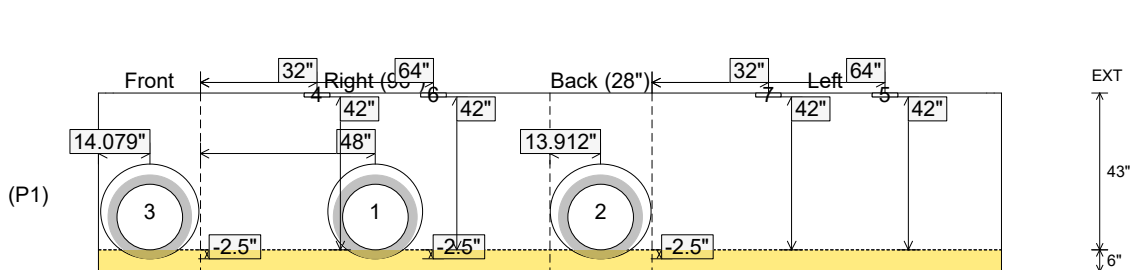
Position	Elev	Angle	Ext. (cw)	Pipe	Pipe OD	Connector	Hole	Horz Size	Up ()	Offset
Invert 1	595.5'	90°	54"	18" RCP B WALL	23"	Hole 26	26"	26"	-2.5"	0"
Invert 2	595.5'	200°	22.095"	18" RCP B WALL	23"	Hole 26	26"	27.669"	-2.5"	-16.5"
Invert 3	595.5'	345°	18.472"	18" RCP B WALL	23"	Hole 26	26"	26.917"	-2.5"	12.5"
Invert 4	599'	90°	38"	7" x 1" LINTEL BAR SLOT	7" x 1"	LINTEL BAR SLOT 7"x1"	7" x 1"	7"	42"	-16"
Invert 5	599'	270°	70"	7" x 1" LINTEL BAR SLOT	7" x 1"	LINTEL BAR SLOT 7"x1"	7" x 1"	7"	42"	16"
Invert 6	599'	90°	70"	7" x 1" LINTEL BAR SLOT	7" x 1"	LINTEL BAR SLOT 7"x1"	7" x 1"	7"	42"	16"
Invert 7	599'	270°	38"	7" x 1" LINTEL BAR SLOT	7" x 1"	LINTEL BAR SLOT 7"x1"	7" x 1"	7"	42"	-16"
Invert 8										

RIGHT-SIDE UP VIEW (int. dimensions)

UPSIDE-DOWN VIEW (int. dimensions)



INSIDE WALL DIMENSIONS



Coating (Int):
 Coating (Ext):

Seam Up: Flat
 Seam Dn: n/a

Wall Thickness: 6"
 Floor Height: 6"

Height (Int): 43"
 Height (Ext): 49"

Weight (Net): 7221 lb
 Volume (Net): 1.84cu.yd

Job Name: 25-1145 - 7959 Poplar Creek
 Job Location: Nashville, TN 37221
 Contractor: Elite Constructors, Inc.

Plant: Beaver Dam, KY
 11/17/2025 11:32:47 AM

Tech: K. Cardwell
 PC: A. Chambers



Structure ID: A3

P1 BX2896-06BVF

BOX BASE 6inW, 6inF, Variable Ht F/n

- P2) 28" x 96" - CASTING HEIGHT - 6"
- P1) 28" x 96" - BOX BASE 6inW, 6inF, Variable Ht F/n - 43"
- 1) SECONDARY POUR
- 1) CASTING - JBS 3101V Triple Set (F/G/H)
- 1) 28" x 96" - Conseal CS-102 1.00"
- 3) Hole - 26
- 4) LINTEL BAR SLOT n/n - 7"x1"

0 lb
 7221 lb
 0 lb
 1857 lb
 0 lb
 0 lb
 0 lb

 Structure Total: 9078 lb

- Structure Notes:
 STATION: 12+46.25
1. PER ASTM C-913 SPECS
 2. CONCRETE: 4,500 PSI AT 28 DAYS
 3. REINFORCEMENT: #4 BAR @ 12" C.C. E.W. (GRADE 60) - 2" MIN. REBAR CLEARANCE (TYP)
 4. 3 EA. JBS 3101-V FRAMES, L-VANE GRATES, & CURB HOODS SUPPLIED BY ICAST
 5. LINTEL BAR SLOTS OFFSET 16" FROM CENTER BOTH WAYS IN EACH LONG WALL REQUIRED (7" LONG X 1" DEEP X FULL WIDTH OF WALL)
 6. LIFTERS: 4 EA. 5CA14 CONAC A-ANCHORS FOR PLANT & FIELD HANDLING - INSTALLED 16" FROM TOP OF WALLS

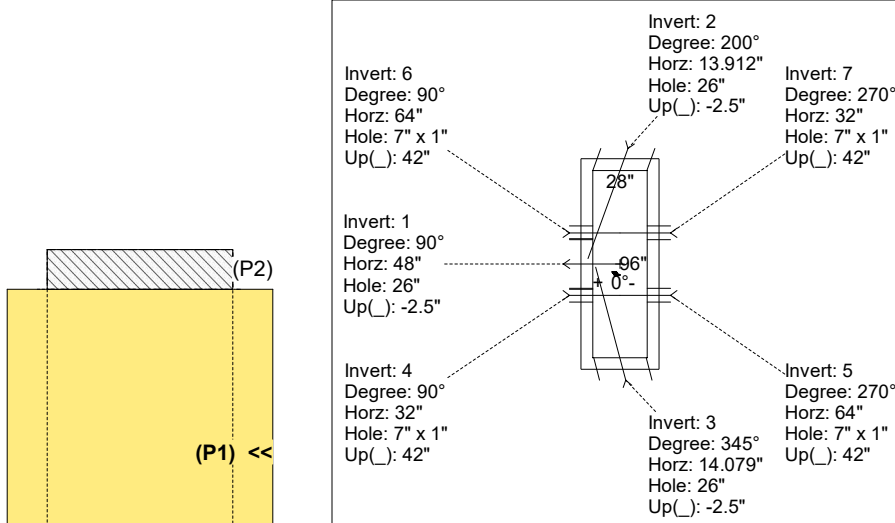
FIRST POUR (FLOOR): 2,610 LBS
SECOND POUR (WALLS): 4,611 LBS

Rim: 599.59' Rim to Invert: 4.09' Slack: 0.08" Sump: 0" Step Position:

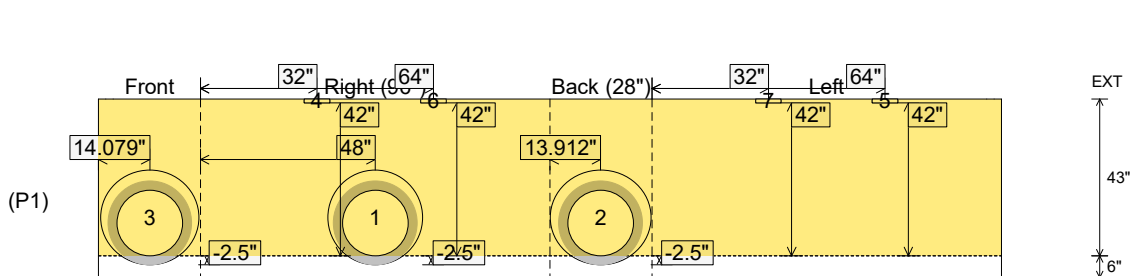
Position	Elev	Angle	Ext. (cw)	Pipe	Pipe OD	Connector	Hole	Horz Size	Up ()	Offset
Invert 1	595.5'	90°	54"	18" RCP B WALL	23"	Hole 26	26"	26"	-2.5"	0"
Invert 2	595.5'	200°	22.095"	18" RCP B WALL	23"	Hole 26	26"	27.669"	-2.5"	-16.5"
Invert 3	595.5'	345°	18.472"	18" RCP B WALL	23"	Hole 26	26"	26.917"	-2.5"	12.5"
Invert 4	599'	90°	38"	7" x 1" LINTEL BAR SLOT	7" x 1"	LINTEL BAR SLOT 7"x1"	7" x 1"	7"	42"	-16"
Invert 5	599'	270°	70"	7" x 1" LINTEL BAR SLOT	7" x 1"	LINTEL BAR SLOT 7"x1"	7" x 1"	7"	42"	16"
Invert 6	599'	90°	70"	7" x 1" LINTEL BAR SLOT	7" x 1"	LINTEL BAR SLOT 7"x1"	7" x 1"	7"	42"	16"
Invert 7	599'	270°	38"	7" x 1" LINTEL BAR SLOT	7" x 1"	LINTEL BAR SLOT 7"x1"	7" x 1"	7"	42"	-16"
Invert 8										

RIGHT-SIDE UP VIEW (int. dimensions)

UPSIDE-DOWN VIEW (int. dimensions)



INSIDE WALL DIMENSIONS



Coating (Int):
 Coating (Ext):

Seam Up: Flat
 Seam Dn: n/a

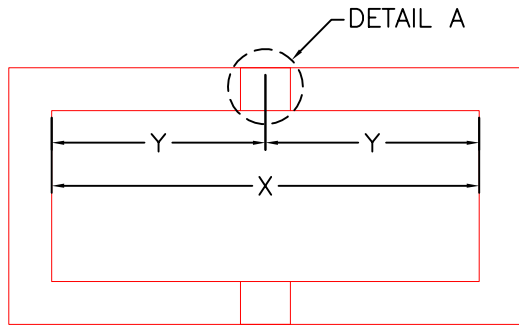
Wall Thickness: 6"
 Floor Height: 6"

Height (Int): 43"
 Height (Ext): 49"

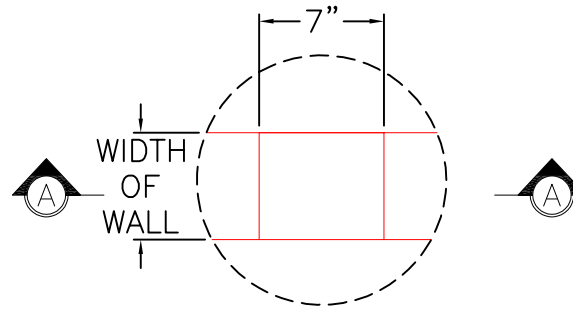
Weight (Net): 7221 lb
 Volume (Net): 1.84cu.yd

GENERAL NOTES:

- RECESSES FOR LINTEL BARS TO BE 7" LONG X 1" DEEP X FULL WIDTH OF WALL.

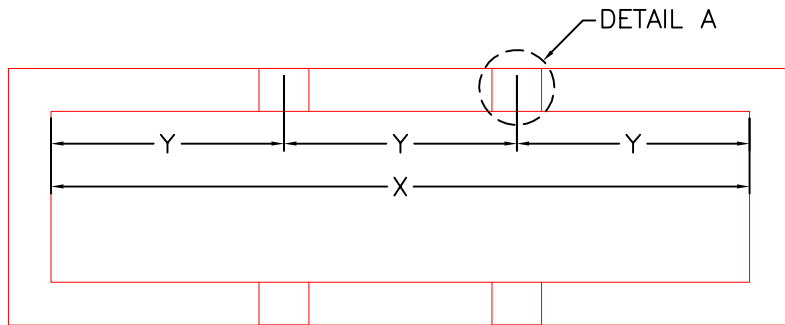


PLAN VIEW
DOUBLE INLET

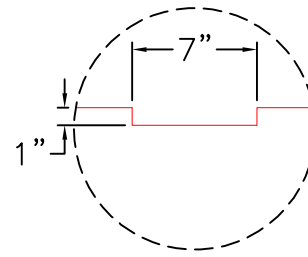


DETAIL A

DOUBLE LINTEL POCKET CHART	
X	Y
54"	27"
56"	28"
60"	30"
64"	32"
72"	36"



PLAN VIEW
TRIPLE INLET



SECTION A-A

TRIPLE LINTEL POCKET CHART	
X	Y
96"	32"
98"	32 ³ / ₄ "
108"	36"

PRODUCTION WORK ORDER

PRODUCT I.D.: -

DESCRIPTION: LINTEL BAR POCKET LOCATIONS



QUALITY CONTROL CHECKLIST

- ALL DIMENSIONS CORRECT.
- LIFTERS INSTALLED.
- OPENING CENTERED.
- REINFORCING CORRECT.
- SURFACE QUALITY ACCEPTABLE.
- EDGES CHAMFERED.
- ALL PATCHWORK ACCEPTABLE.

PRODUCT VIEW: RIGHT SIDE UP

CUSTOMER: N/A

PLANT: BEAVER DAM, KY.

PROJECT: N/A

WEIGHT: N/A.

STRUCTURE: N/A

TOP SECTION JOINT: N/A

ORDER NO: N/A

BASE SECTION JOINT: N/A

PE: J.H. ROSS

DRAWING: J. COPPAGE

QC CHECK INITIALS:

DATE: 3/6/24

SCALE: NTS

PG. 1 of 1