

Job Name: 25-1145 - 7959 Poplar Creek  
 Job Location: Nashville, TN 37221  
 Contractor: Elite Constructors, Inc.

Plant: Beaver Dam, KY  
 11/17/2025 11:32:52 AM

Tech: K. Cardwell  
 PC: A. Chambers



**Structure ID: A2.2**

**P1 BX28640606-VH**

**BOX BASE 6inW, 6inF, Variable Ht F/n**

- P2) 28" x 64" - CASTING HEIGHT - 6"
- P1) 28" x 64" - BOX BASE 6inW, 6inF, Variable Ht F/n - 49"
- 1) CASTING - JBS 3101V Double Set (F/G/H)
- 1) 28" x 64" - Conseal CS-102 1.00"
- 1) Hole - 26
- 2) LINTEL BAR SLOT n/n - 7"x1"

0 lb  
 6388 lb  
 1238 lb  
 0 lb  
 0 lb  
 0 lb  
 Structure Total: 7626 lb

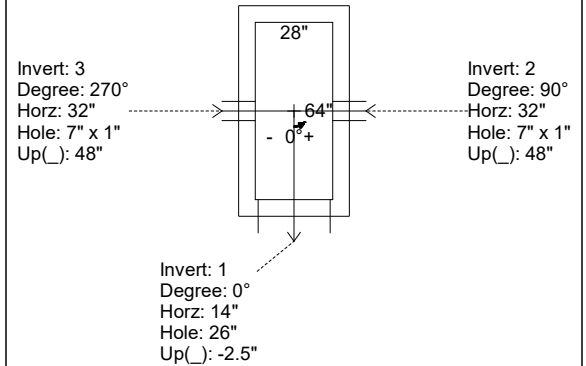
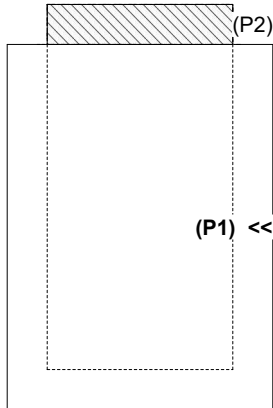
- Structure Notes:**  
 STATION: 10+67.99
1. PER ASTM C-913 SPECS
  2. CONCRETE: 4,500 PSI AT 28 DAYS
  3. REINFORCEMENT: #4 BAR @ 12" C.C. E.W. (GRADE 60) - 2" MIN. REBAR CLEARANCE (TYP)
  4. 2 EA. JBS 3101-V FRAMES, L-VANE GRATES, & CURB HOODS SUPPLIED BY ICAST
  5. LINTEL BAR SLOTS CENTERED IN EACH LONG WALL REQUIRED (7" LONG X 1" DEEP X FULL WIDTH OF WALL)

Rim: 600.62' Rim to Invert: 4.62' Slack: 0.44" Sump: 0" Step Position:

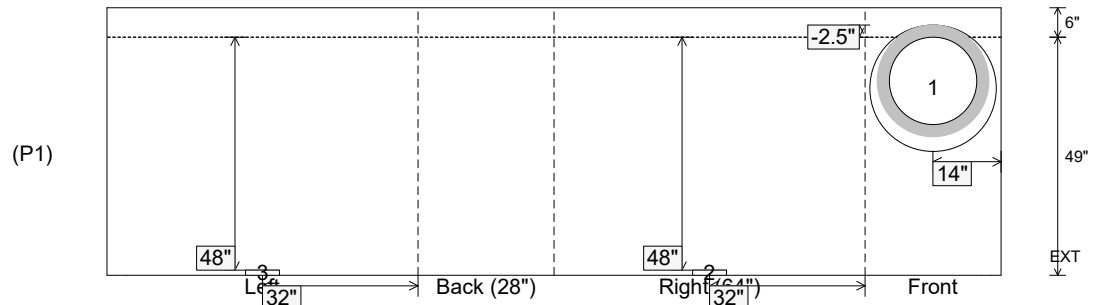
Position	Elev	Angle	Ext. (cw)	Pipe	Pipe OD	Connector	Hole	Horz Size	Up ( )	Offset
Invert 1	596'	0°	20"	18" RCP B WALL	23"	Hole 26	26"	26"	-2.5"	0"
Invert 2	600'	90°	38"	7" x 1" LINTEL BAR SLOT	7" x 1"	LINTEL BAR SLOT 7"x1"	7" x 1"	7"	48"	0"
Invert 3	600'	270°	38"	7" x 1" LINTEL BAR SLOT	7" x 1"	LINTEL BAR SLOT 7"x1"	7" x 1"	7"	48"	0"
Invert 4										
Invert 5										
Invert 6										
Invert 7										
Invert 8										

RIGHT-SIDE UP VIEW (int. dimensions)

UPSIDE-DOWN VIEW (int. dimensions)



INSIDE WALL DIMENSIONS



Coating (Int):  
 Coating (Ext):

Seam Up: Flat  
 Seam Dn: n/a

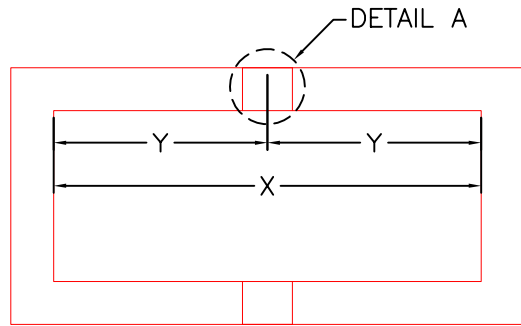
Wall Thickness: 6"  
 Floor Height: 6"

Height (Int): 49"  
 Height (Ext): 55"

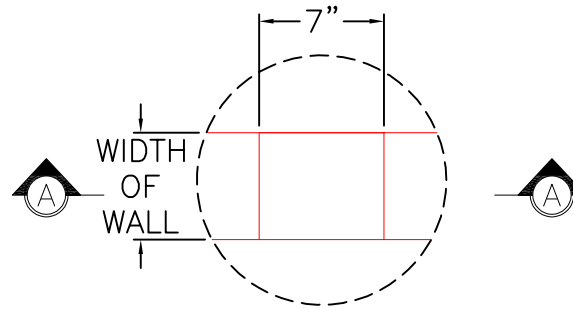
Weight (Net): 6388 lb  
 Volume (Net): 1.63cu.yd

**GENERAL NOTES:**

- RECESSES FOR LINTEL BARS TO BE 7" LONG X 1" DEEP X FULL WIDTH OF WALL.

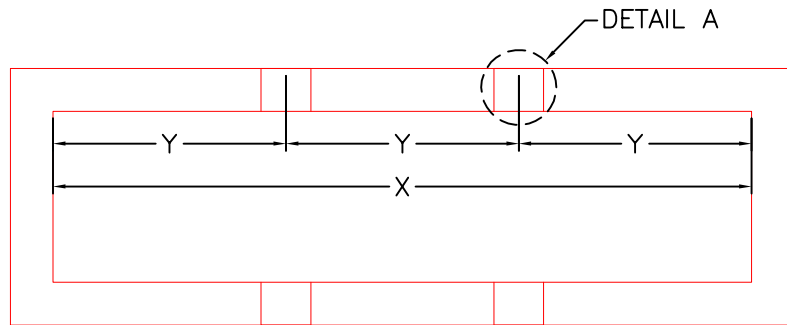


PLAN VIEW  
DOUBLE INLET

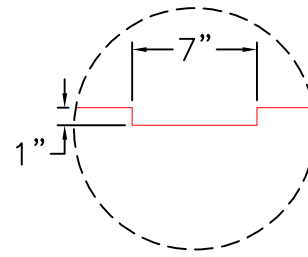


DETAIL A

X	Y
54"	27"
56"	28"
60"	30"
64"	32"
72"	36"



PLAN VIEW  
TRIPLE INLET



SECTION A-A

X	Y
96"	32"
98"	32 <sup>3</sup> / <sub>4</sub> "
108"	36"

**PRODUCTION WORK ORDER**

PRODUCT I.D.: -

DESCRIPTION: LINTEL BAR POCKET LOCATIONS



QUALITY CONTROL CHECKLIST

- ALL DIMENSIONS CORRECT.
- LIFTERS INSTALLED.
- OPENING CENTERED.
- REINFORCING CORRECT.
- SURFACE QUALITY ACCEPTABLE.
- EDGES CHAMFERED.
- ALL PATCHWORK ACCEPTABLE.

PRODUCT VIEW: RIGHT SIDE UP

CUSTOMER: N/A

PLANT: BEAVER DAM, KY.

PROJECT: N/A

WEIGHT: N/A.

STRUCTURE: N/A

TOP SECTION JOINT: N/A

ORDER NO: N/A

BASE SECTION JOINT: N/A

PE: J.H. ROSS

DRAWING: J. COPPAGE

QC CHECK INITIALS:

DATE: 3/6/24

SCALE: NTS

PG. 1 of 1