

Job Name: 25-1145 - 7959 Poplar Creek
Job Location: Nashville, TN 37221
Contractor: Elite Constructors, Inc.

PC: A. Chambers
 TECH: K. Cardwell
 Plant: Beaver Dam, KY



Structure ID: **A2.1**
 Spec: Storm
 Type: BX 6inW, 6inF
 Size: 28" x 64"

Rim: 600.79'
 Invert: 596'
 Rim to Invert: 4.79'

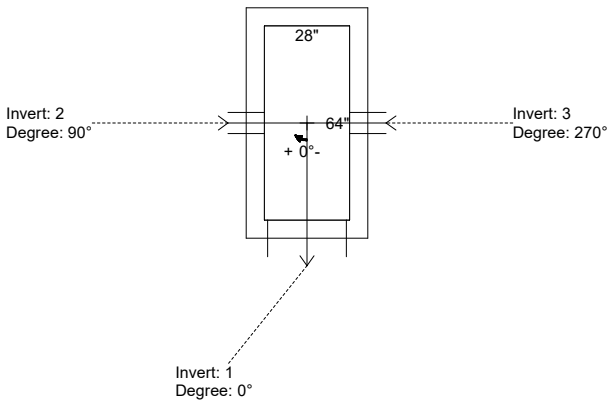
Sump: 0"
 Floor (Top): 596'
 Floor Height: 6"

Floor (Bot): 595.5'
 Overall Height: 5.25'
 Slack: 0.48"

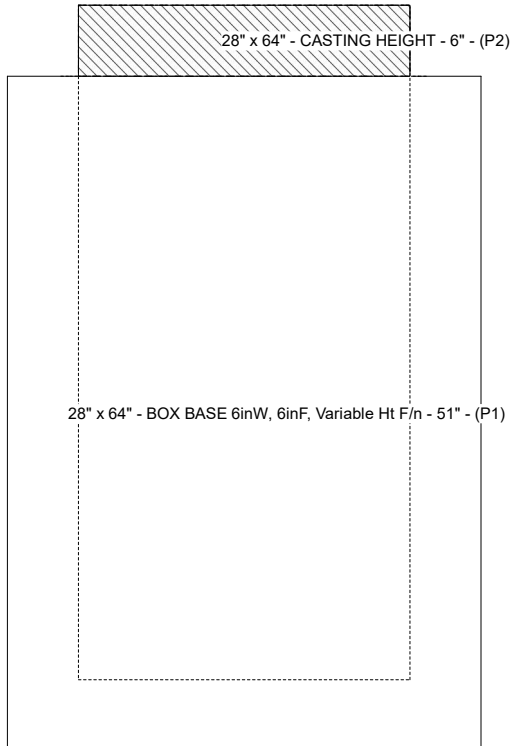
Structure Notes:
 STATION: 10+70.16
 1. PER ASTM C-913 SPECS
 2. CONCRETE: 4,500 PSI AT 28 DAYS
 3. REINFORCEMENT: #4 BAR @ 12" C.C. E.W. (GRADE 60)
 4. 2 EA. JBS 3101-V FRAMES, L-VANE GRATES, & CURB HOODS SUPPLIED BY ICAST
 5. LINTEL BAR SLOTS CENTERED IN EACH LONG WALL REQUIRED (7" LONG X 1" DEEP X FULL WIDTH OF WALL)

STRUCTURE SUMMARY:

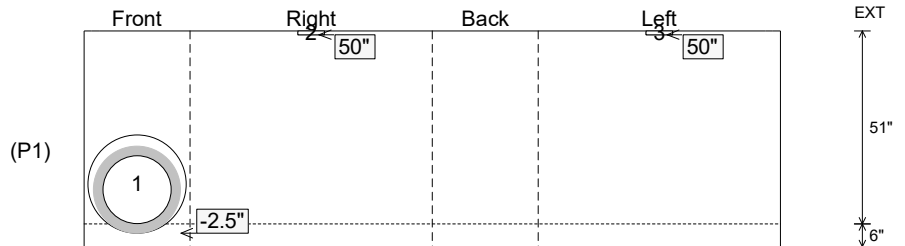
P2) 28" x 64" - CASTING HEIGHT - 6"	0 lb
P1) 28" x 64" - BOX BASE 6inW, 6inF, Variable Ht F/n - 51"	6597 lb
1) CASTING - JBS 3101V Double Set (F/G/H)	1238 lb
1) 28" x 64" - Conseal CS-102 1.00"	0 lb
1) Hole - 26	0 lb
2) LINTEL BAR SLOT n/n - 7"x1"	0 lb
Structure Total:	7835 lb



Position	Elev	Angle	Pipe	Pipe OD	Hole	Connector	Up (↓)	Ref
Rim	600.79'							
Reducer								
Invert 1	596'	0°	18" RCP B WALL	23"	26"	Hole 26	-2.5"	P1
Invert 2	600.166'	90°	7" x 1" LINTEL BAR SLOT	7" x 1"	7" x 1"	LINTEL BAR SLOT 7"x1"	50"	P1
Invert 3	600.166'	270°	7" x 1" LINTEL BAR SLOT	7" x 1"	7" x 1"	LINTEL BAR SLOT 7"x1"	50"	P1
Invert 4								
Invert 5								
Invert 6								
Invert 7								
Invert 8								



Cast (Int. Dim.) - Interior Dimensions



Submittal Drawing
 11/17/2025 2:03:13 PM

SUBMITTAL
 APPROVED BY: