

**Job Name: 25-1137B - East Bank Regional Pump Station**

**Job Location: Nashville, TN**

**Contractor: Garney Companies, Inc.**

PC: J. Jarvis

TECH: J. Coppage

Plant: Beaver Dam



Structure ID: **MH-200 1+04**

Spec: Sanitary-Xypex  
Type: Transition Manhole  
Size: 72"

Rim: 416.68'  
Invert: 397.71'  
Rim to Invert: 18.97'

Sump: 2"  
Floor (Top): 397.543'  
Floor Height: 8"

Floor (Bot): 396.877'  
Overall Height: 19.75'  
Slack: 0.64"

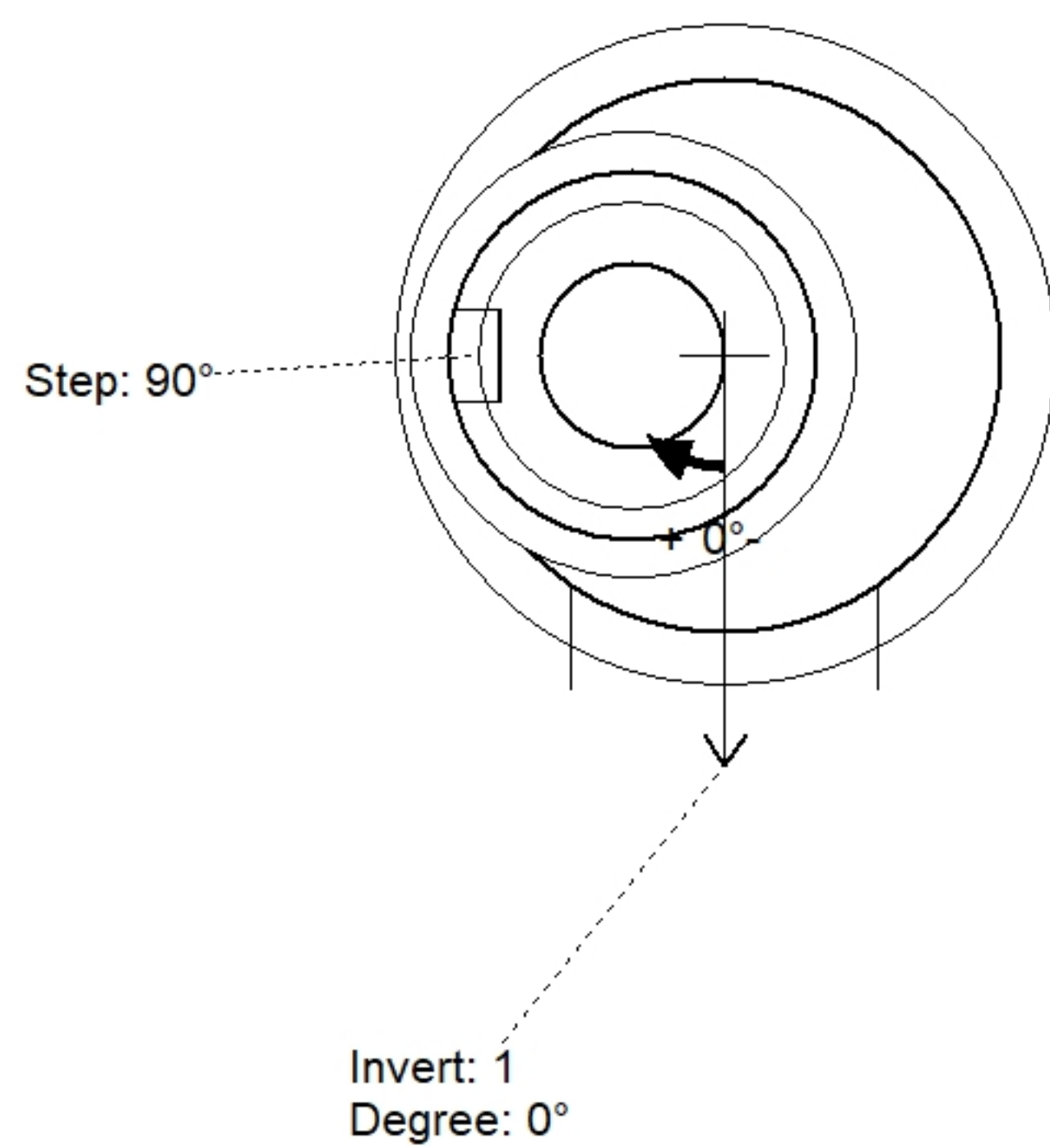
**Structure Notes:**

1. JBS-1150 METRO SANITARY BY ICAST.
2. PER ASTM C478 SPECIFICATIONS.
3. CONCRETE = 4,500 PSI AT 28 DAYS.
4. REINFORCING PER ASTM A615 (GRADE 60)
  - TOP (As .62) #5 BAR AT 6" C/C E.W.
  - WALLS (As .18) WWF OR EQUIV.
  - FLOOR (As .20) #4 BAR AT 12" C/C E.W. DOUBLE MAT

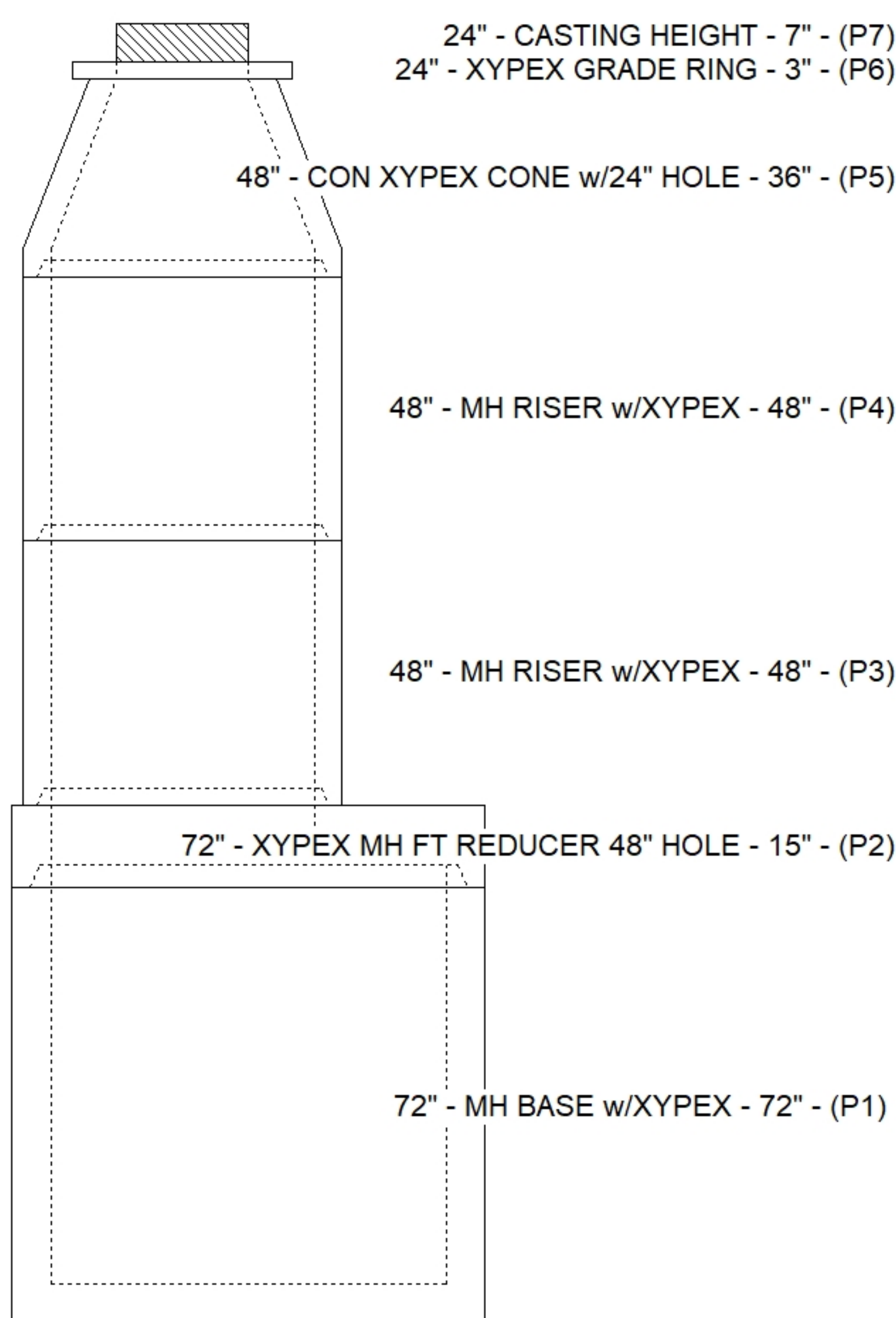
**STRUCTURE SUMMARY:**

- P7) 24" - CASTING HEIGHT - 7" 0 lb
- P6) 24" - XYPEX GRADE RING - 3" 202 lb
- P5) 48" - CON XYPEX CONE w/24" HOLE - 36" 2251 lb
- P4) 48" - MH RISER w/XYPEX - 48" 3353 lb
- P3) 48" - MH RISER w/XYPEX - 48" 3353 lb
- P2) 72" - XYPEX MH FT REDUCER 48" HOLE - 15" 3864 lb
- P1) 72" - MH BASE w/XYPEX - 72" 13620 lb
- 1) JOINT WRAP PRIMER - CONSEAL CS-75 (1 gal.) 0 lb
- 1) JOINT WRAP - 0.065"x6"x50' CONSEAL CS212 0 lb
- 1) 72" - SAN. INV. CHANNEL - FULL HEIGHT 5422 lb
- 1) 72" - DBL 1"x14.5' Butyl (2x) 0 lb
- 3) 48" - DBL 1"x14.5' Butyl (2x) 0 lb
- 1) A-Lok - 1240 1 lb

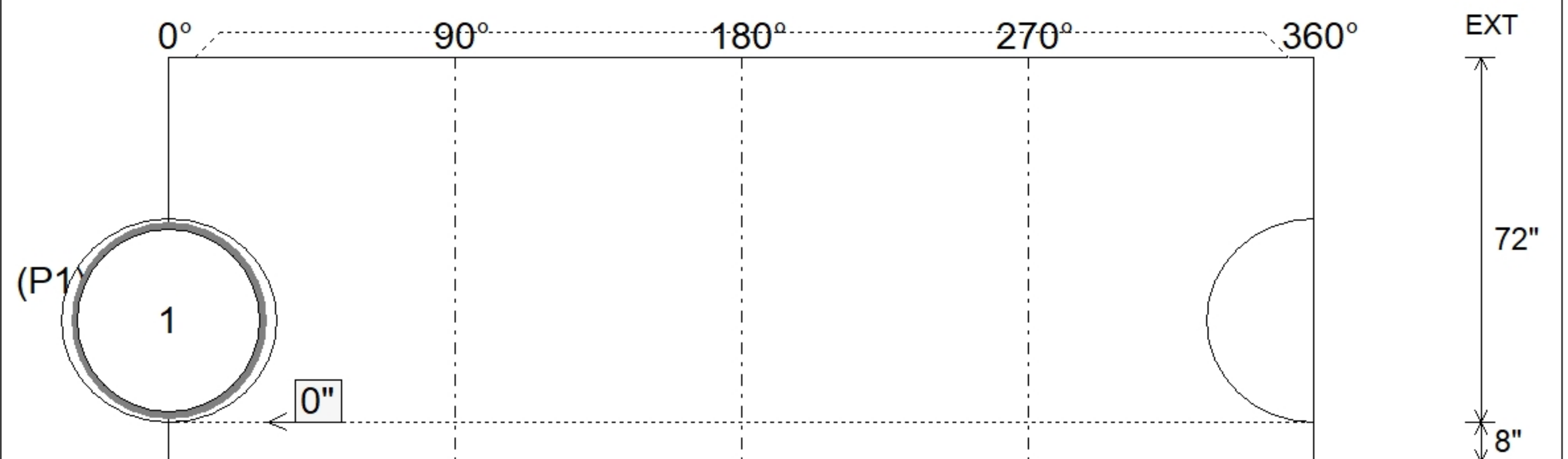
Structure Total: 32068 lb



Position	Elev	Angle	Pipe	Pipe OD	Hole	Connector	Up (L)	Ref
Rim	416.68'							
Reducer	403.543'							
Invert 1	397.71'	0°	36" DI	38.5"	40"	A-Lok 1240	0"	P1
Invert 2								
Invert 3								
Invert 4								
Invert 5								
Invert 6								
Invert 7								
Invert 8								



**Default - Interior Dimensions**



Submittal Drawing  
11/6/2025 10:54:34 AM

SUBMITTAL  
APPROVED BY: