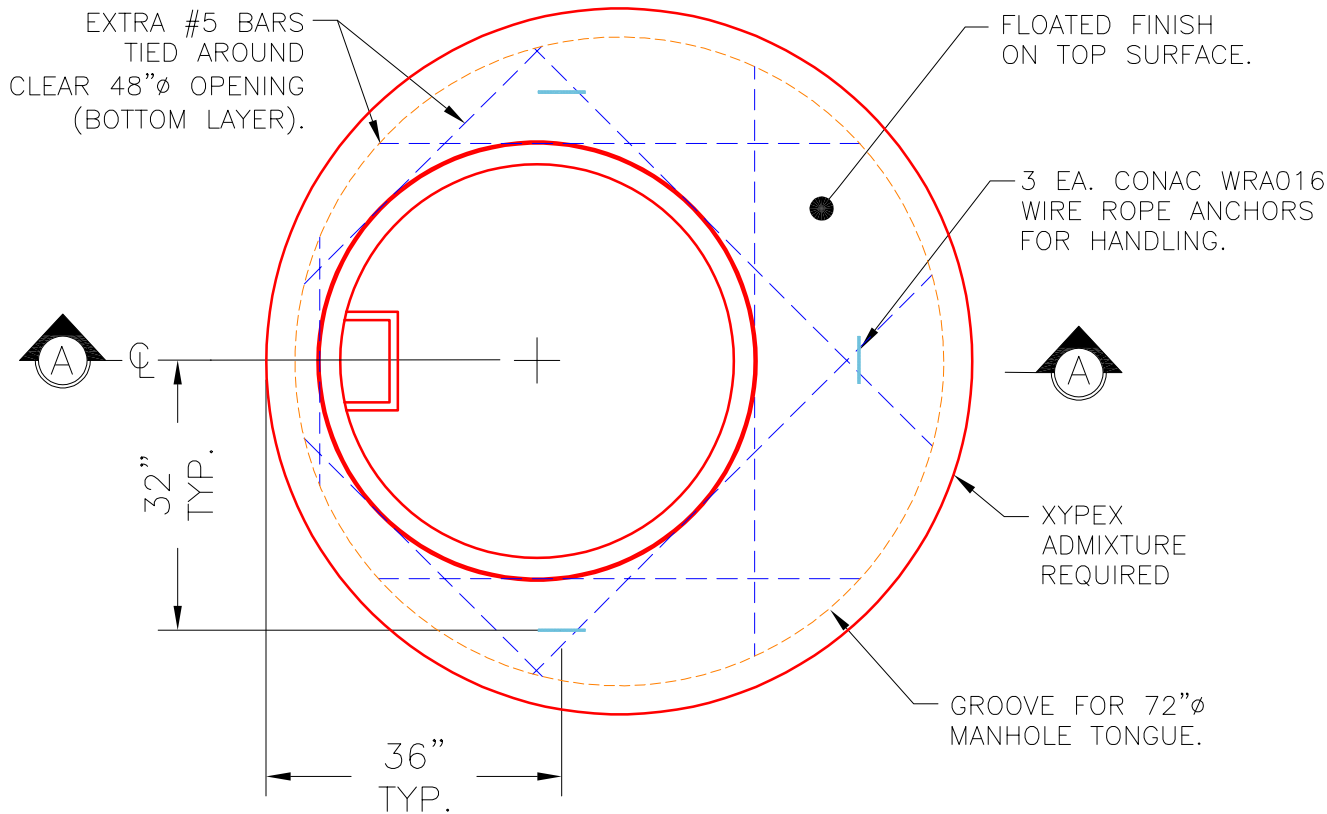


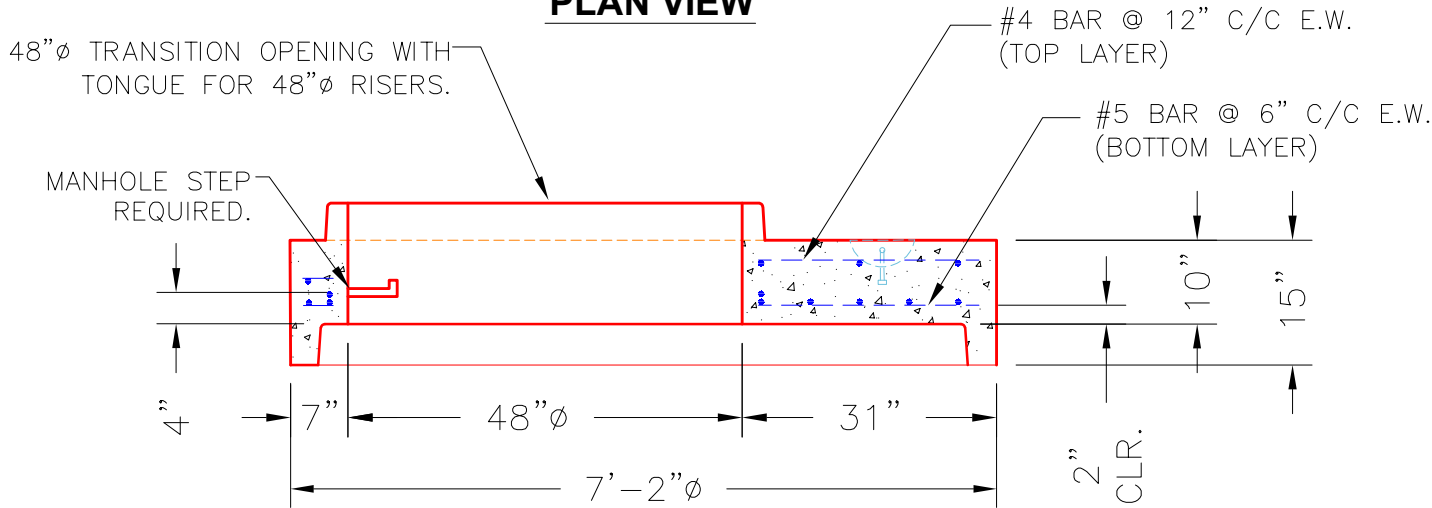
THIS DRAWING IS INTENDED TO BE PRINTED IN COLOR.

NOTES:

1. MANUFACTURED TO ASTM C-478 (LATEST REVISION).
2. CONCRETE: 4,500 PSI AT 28 DAYS.
3. XYPEX ADMIXTURE REQUIRED.
3. REINFORCING: #4 & #5 BAR AS SHOWN PER ASTM A615 (GRADE 60).
4. TONGUE REQUIRED OFFSET FOR 48"Ø COMPONENTS.



PLAN VIEW



SECTION A-A

<p>PRODUCTION WORK ORDER</p>		<p>PRODUCT I.D.: MH072TS15X</p>	<p>DESCRIPTION: MH TRANSITION SLAB W/ XYPEX Ø72" TO Ø48" X 15" THK.</p>	
	<p>QUALITY CONTROL CHECKLIST</p>	<p>PRODUCT VIEW: RIGHT SIDE UP</p>	<p>CUSTOMER: GARNEY COMPANIES, INC.</p>	
	<p><input type="checkbox"/> ALL DIMENSIONS CORRECT.</p>	<p>PLANT: BEAVER DAM, KY.</p>	<p>PROJECT: EAST BANK REGIONAL PUMP STATION</p>	
	<p><input type="checkbox"/> LIFTERS INSTALLED.</p>	<p>WEIGHT: 3,864 LBS.</p>	<p>STRUCTURE ID.: MH-200 1+04</p>	
	<p><input type="checkbox"/> ANY PATCHWORK ACCEPTABLE.</p>	<p>TOP JOINT: 48"Ø TONGUE</p>	<p>SALES ORDER NO.: 25-1137B</p>	
	<p><input type="checkbox"/> FLOATED FINISH ON TOP.</p>	<p>BOTTOM JOINT: 72"Ø GROOVE</p>	<p>PC: J. JARVIS</p>	<p>DRAWING: J. COPPAGE</p>
<p><input type="checkbox"/> MANHOLE STEP INSTALLED.</p>	<p>REINFORCING & SPACING CORRECT.</p>	<p>QC CHECK INITIALS:</p>	<p>DATE: 11/5/25</p>	<p>SCALE: NTS</p>
<p><input type="checkbox"/> REINFORCING & SPACING CORRECT.</p>	<p>JOINTS INSTALLED.</p>			<p>PG. 1 of 1</p>